

Assembly Instructions

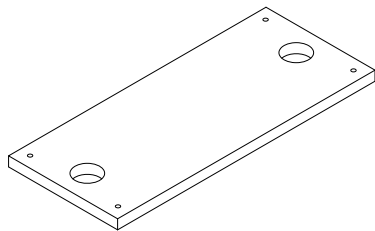
⚠ Important ⚠

Before you begin, read and comply with all safety and operating instructions, and ensure all parts and correct quantities are included.

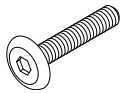
Any parts damaged during shipment must be reported within 5 days of receipt. To report information regarding missing parts or damage, to purchase parts or accessories, or if you have any questions, please contact us.

www.spectrumfurniture.com
800-235-1262, 715-723-6750

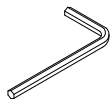
Thank you for purchasing Spectrum products!



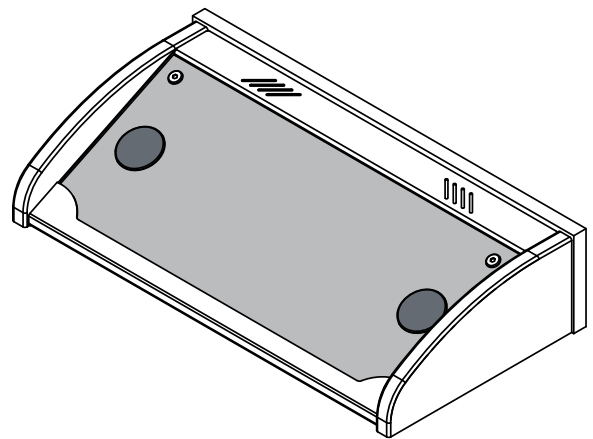
(1) Small one-piece panel with
2" round grommets installed
(may or may not have cutouts)



(2) 0102063
1/4-20 x 35mm JC bolt



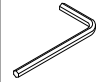
(1) 025039
4mm Hex wrench



Small Overbridge Panel (one-piece)

96511

Tools Required



4mm Hex
wrench
(included)

If cutouts are needed in the panel, see p.2 for cutout procedure.

Attach panel to overbridge frame

1. Install electronic device(s) into the panel.
2. Set the panel into the overbridge frame opening. **Figure 1.**
3. Secure with (2) 1/4-20 x 35mm JC bolts and tighten securely.

Note: The overbridge panel is symmetrical. Rotating the panel 180° and re-attaching to the overbridge will allow you to place the cutout on the opposite side of the overbridge if necessary.

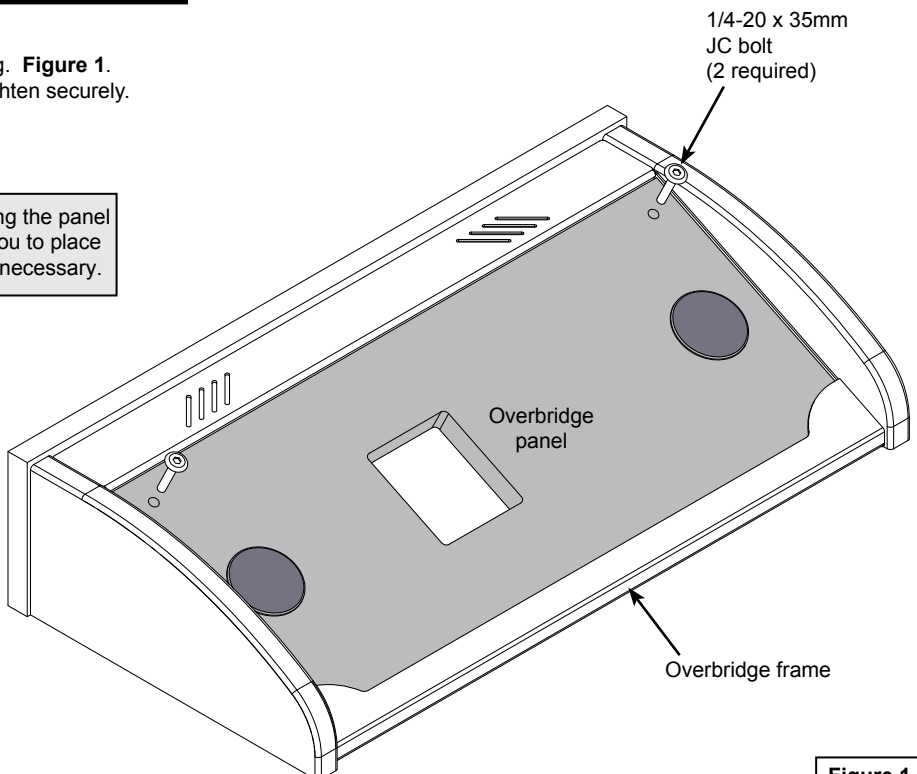
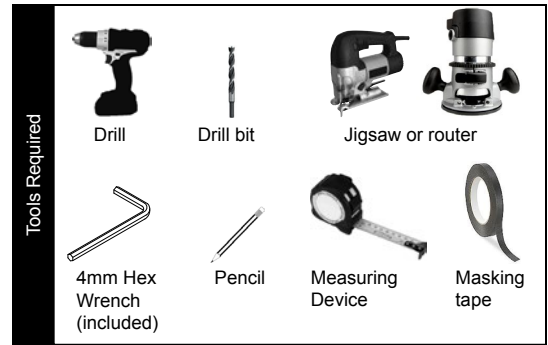


Figure 1

Cutout(s) in overbridge panel - Optional

1. Before you begin, refer to the panel dimensions in **Figure 2.1** for the maximum recommended cutout size.
2. Identify the size and position (left, centered, or right) of each cutout needed.



Note: The max cutout area shown is a general recommendations only. The final location of the cutout(s) on the panel will be determined by:

- The size of the cutout(s)
- Location preference of each device (left, centered, right)
- The vertical depth of the installed device
- The available worksurface opening under the overbridge on your specific Spectrum lectern.

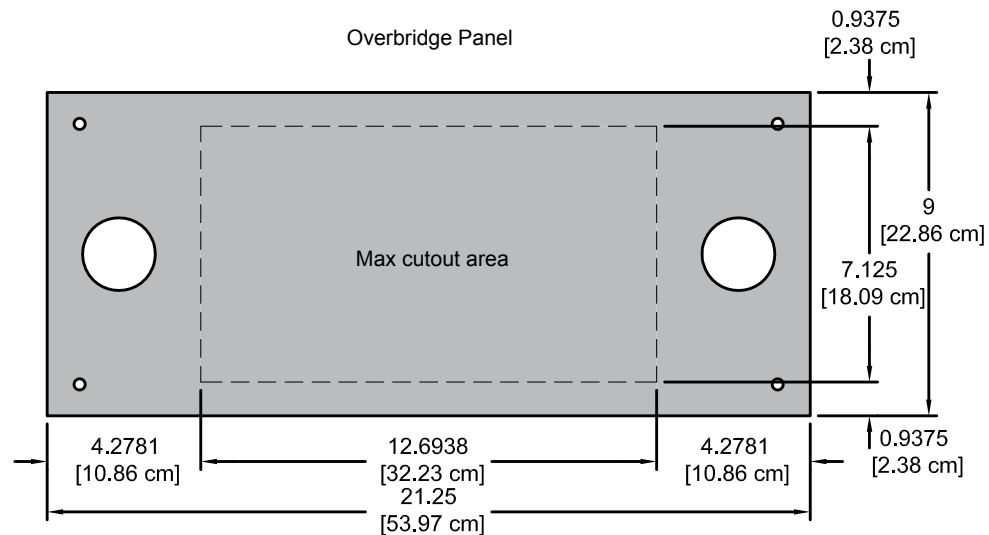


Figure 2.1

3. Identify the depth of your device to verify it will not interfere with the worksurface or any other objects under the overbridge when the panel is attached. **Figure 2.2.**
4. When the cutout location(s) have been determined, locate and mark the exact cutout area(s) on the panel with a pencil. **Note: Using masking tape on cut lines will minimize laminate chipping while cutting.**
5. Carefully make the cutout(s) in the panel using a jigsaw or router.

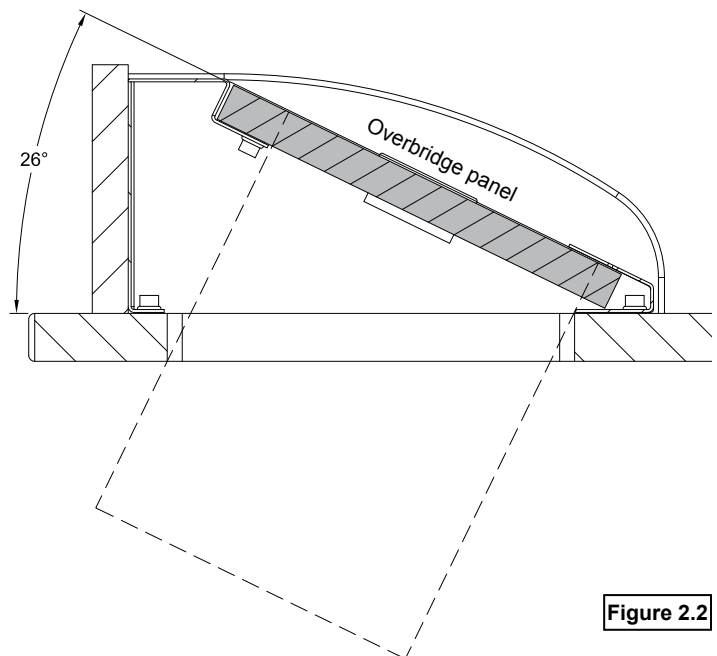


Figure 2.2