

Assembly Instructions

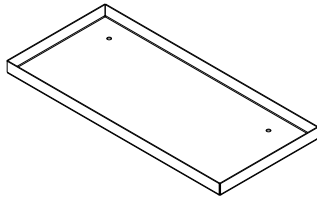
⚠ Important ⚠

Before you begin, read and comply with all safety and operating instructions, and ensure all parts and correct quantities are included.

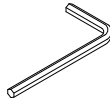
Any parts damaged during shipment must be reported within 5 days of receipt. To report information regarding missing parts or damage, to purchase parts or accessories, or if you have any questions, please contact us.

www.spectrumfurniture.com
800-235-1262, 715-723-6750

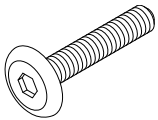
Thank you for purchasing Spectrum products!



(1) 0160530
CPU Tray



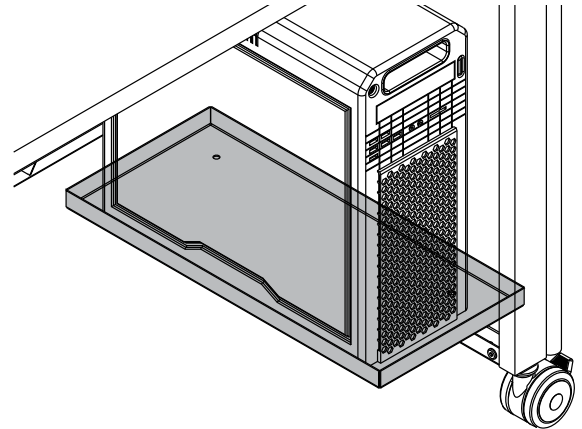
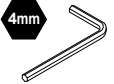
(1) 025039
4mm Hex wrench



(2) 0102063
1/4-20 x 35mm
JC bolt



(2) 0106543
1/4-20 Keps nut



CPU Tray for Shoutcaster 37389

- Provides CPU tower storage under worksurface
- 9.25"W x 20"D x 1"H
- Each Shoutcaster can support (2) CPU trays (1 per side)

1. Attach CPU Tray

1. Choose which side to mount the tray on Shoutcaster. (*left or right-side*).
2. Align the mounting holes and secure with (2) 1/4-20 x 35mm JC bolts and (2) 1/4-20 Keps nuts. **Figure 1**.
3. Install CPU tower on tray.

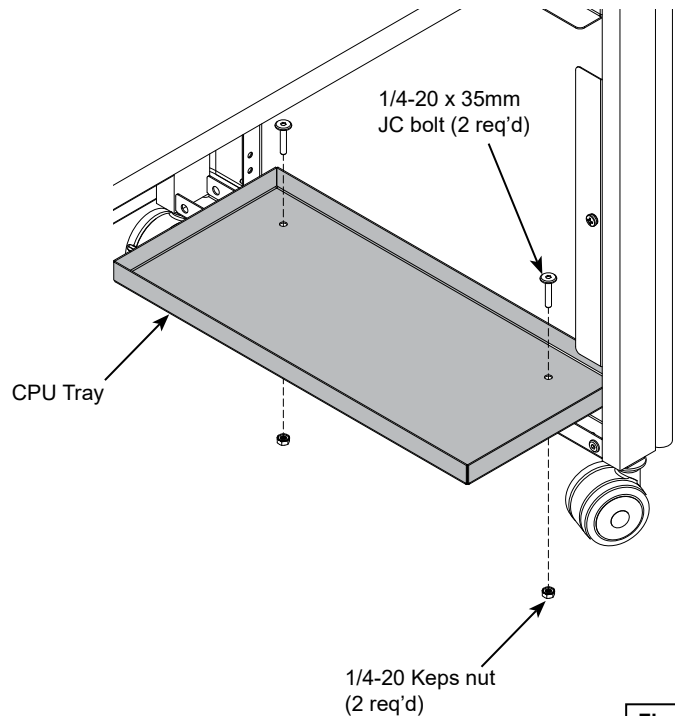


Figure 1



While most gaming CPU towers are large and heavy, care should be taken when moving the Shoutcaster station to prevent tipping or shifting of the CPU tower(s) during transit.