

# Assembly Instructions

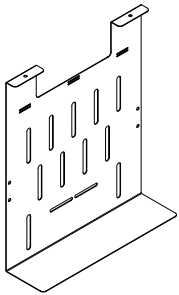
## ⚠ Important ⚠

Before you begin, read and comply with all safety and operating instructions, and ensure all parts and correct quantities are included.

Any parts damaged during shipment must be reported within 5 days of receipt. To report information regarding missing parts or damage, to purchase parts or accessories, or if you have any questions, please contact us.

[www.spectrumfurniture.com](http://www.spectrumfurniture.com)  
800-235-1262, 715-723-6750

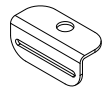
Thank you for purchasing Spectrum products!



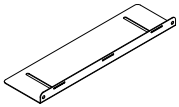
(1) 0160670  
CPU sling



(1) 035674  
3/4" bumper



(2) 0160741  
Bracket



(1) 060048  
Base



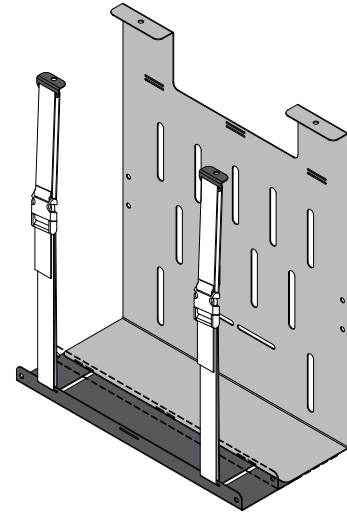
(2) 034195  
1/4-20 wing nut



(2) 0107595  
58" strap / buckle  
assembly



(4) 0101382  
#14 x 7/8" PHSM



## CPU Sling 38925

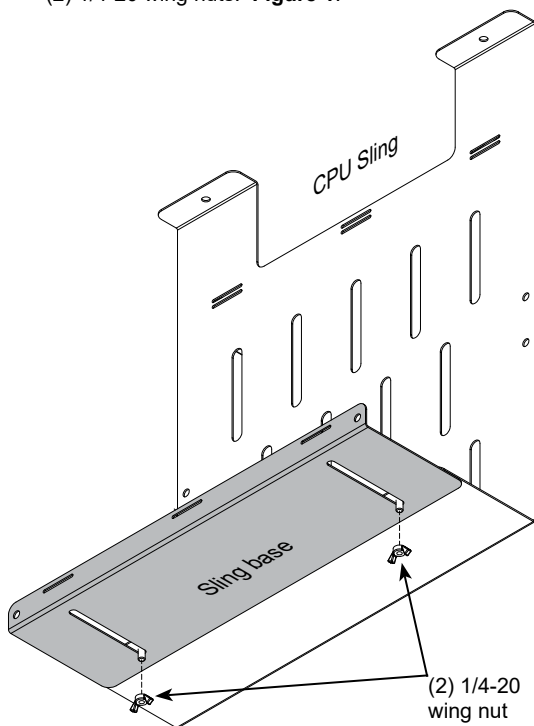
For electric Flex Active Tables,  
Esports Evolution, Evolution desks

- Provides CPU tower storage under worksurface
- 5"-8.5"W x 18"D x 17.935"H
- The 38925 CPU Sling is specifically designed for use with electrically adjustable Flex Active tables, Evolution, and Esports Evolution desks.



### 1. Attach base to sling

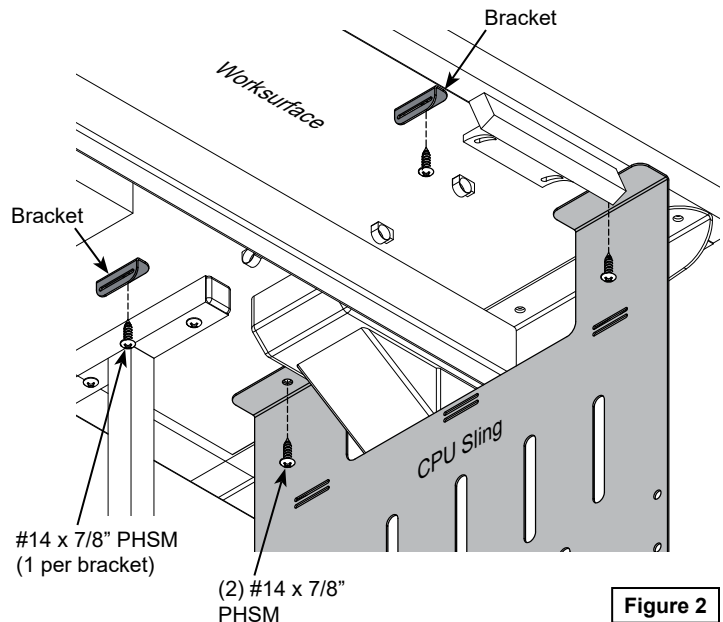
1. Align the base with the CPU sling and secure with (2) 1/4-20 wing nuts. **Figure 1.**



**Figure 1**

### 2. Attach sling to worksurface

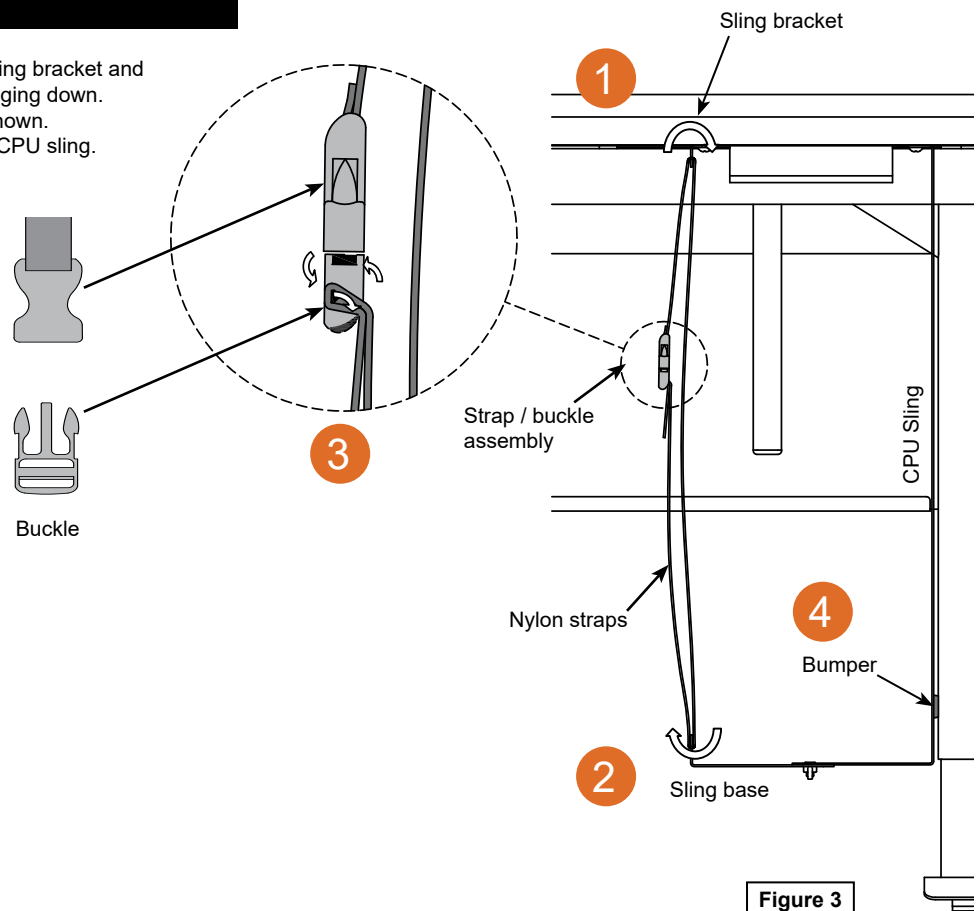
1. Determine which side of the worksurface you'd like the CPU sling. (Left or right).
2. Align the CPU sling with the worksurface pilot holes and secure with (2) #14 x 7/8" PHSM screws. **Figure 2.**
3. Secure each bracket to the worksurface as shown with (1) #14 x 7/8" PHSM screw.



**Figure 2**

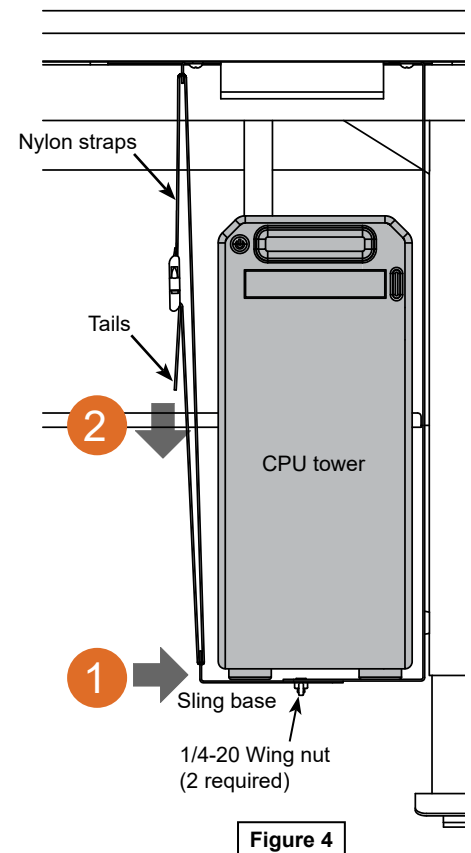
### 3. Install straps

1. Thread each strap through the slots in the sling bracket and base as shown in **Figure 3** with the tails hanging down.
2. Thread each strap through the buckles as shown.
3. Place the 3/4" bumper between the leg and CPU sling.



### 4. Install CPU tower

1. Slide the base to the widest position and carefully place the CPU tower into the sling. **Figure 4.**
2. Slide the base tight against the tower and tighten the two wing nuts.
3. Position both buckles at the same height.
4. Tighten the straps by pulling the tails down until the CPU tower and base are level and secure.



Care should be taken when moving the desk / table on casters to prevent tipping or shifting of the CPU tower(s) during transit.