

Assembly Instructions

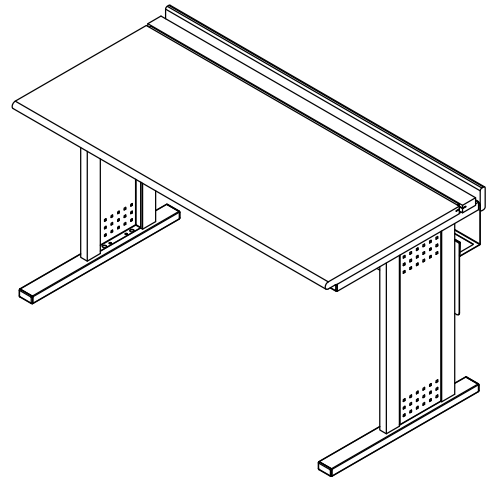
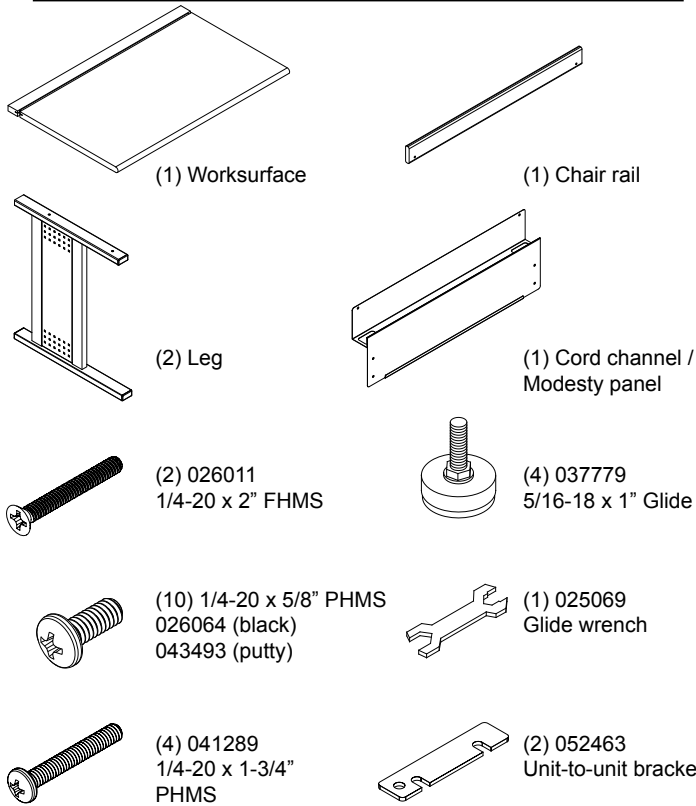
⚠ Important ⚠

Before you begin, read and comply with all safety and operating instructions, and ensure all parts and correct quantities are included.

Any parts damaged during shipment must be reported within 5 days of receipt. To report information regarding missing parts or damage, to purchase parts or accessories, or if you have any questions, please contact us.

www.spectrumfurniture.com
800-235-1262, 715-723-6750

Thank you for purchasing Spectrum products!



Evolution Desk 24" D

38912 - 36" W

38912ADJ - 36" W

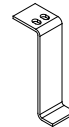
38915 - 60" W

38915ADJ - 60" W

38916 - 72" W

38916ADJ - 72" W

(for 60", and 72" desks only)



(1) 057922
Chair rail bracket #1



(1) 057890
Chair rail bracket #2



(3) 043771
1/4-20 x 2" FHMS

Tools Required



Phillips
screwdriver



Glide wrench

1. Attach legs to worksurface

1. Place worksurface face down onto a non-abrasive surface.
2. Align the legs with the mounting holes, and install 1/4-20 x 1-3/4" PHM screws into the legs as shown. **Figure 1A.**
3. Install 1/4-20 x 1-3/4" PHM screws into the legs as shown, but do not tighten the screws completely yet.

For 60" & 72" desks only:

Orient and attach the chair rail brackets to the center of the worksurface as shown in **Figure 1B** with (2) 1/4-20 x 5/8" PHM screws.

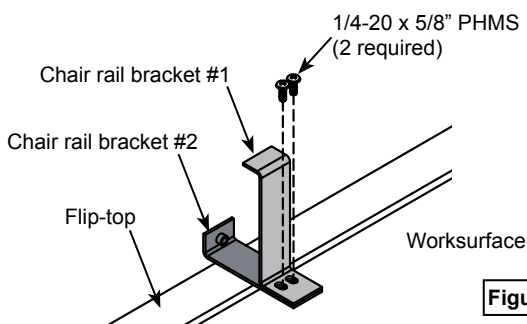


Figure 1B

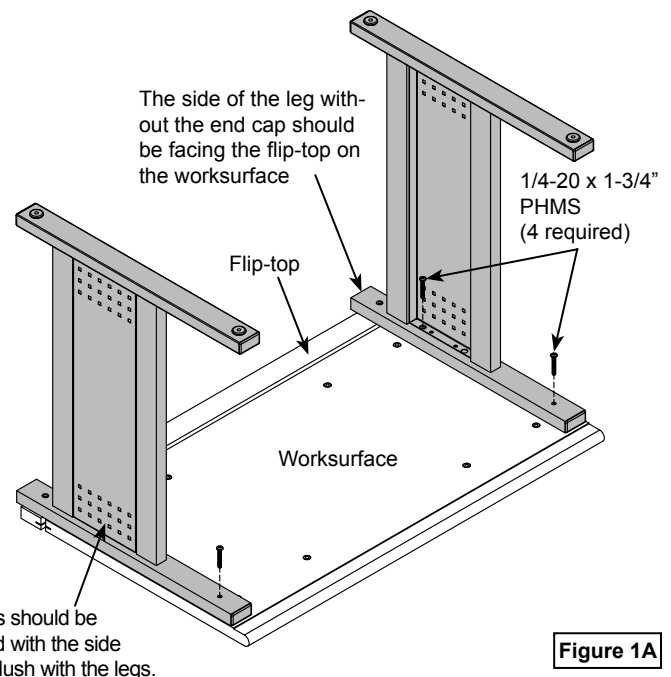


Figure 1A

2. Install modesty panel / cord channel, and glides

1. Orient the modesty panel/cord channel as shown and attach to the legs with (4) 1/4-20 x 5/8" PHM screws. **Figure 2A.**

*Note: If you are assembling a 60, or 72" desk, slide the cord channel over the chair rail brackets. The brackets will support the inside of the cord channel. **Figure 2B.***

2. Install the (4) glides to the bottom of the legs. The glides can be adjusted later to keep the desk level on uneven surfaces.
3. Tighten ALL screws.

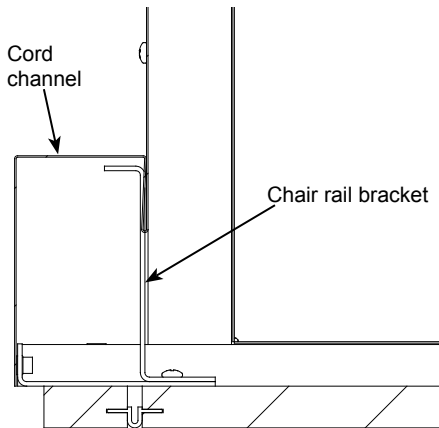


Figure 2B

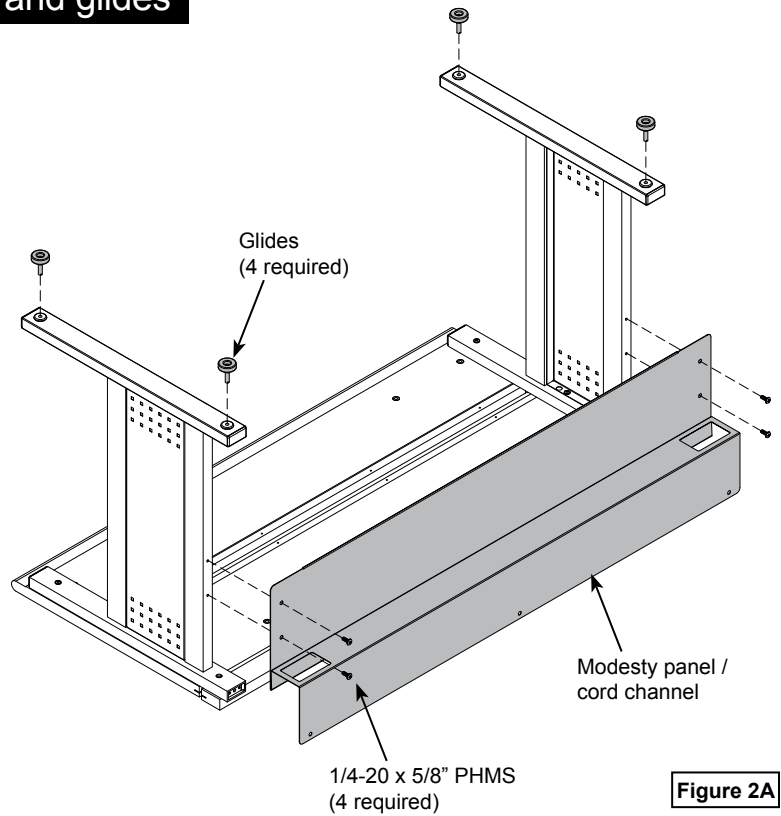


Figure 2A

Adjustable legs

*If you have a desk with the adjustable leg feature, the worksurface height can be adjusted from 24"H - 32"H in 1" increments. **Figure 2C.** Adjustment is easier if the desk is upside-down.*

1. To adjust the legs, remove the (4) pre-installed adjustment screws. (Fully-support the lower section of the leg while removing). **Figure 2D.**
2. Choose a height and align the corresponding set of leg holes.
3. Install the (4) previously removed screws in the new holes and tighten securely.
4. Repeat this procedure on the second leg. Make sure to use the same set of holes used on the first leg.

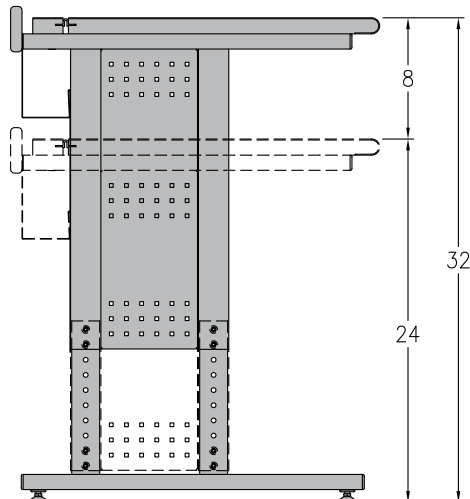


Figure 2C

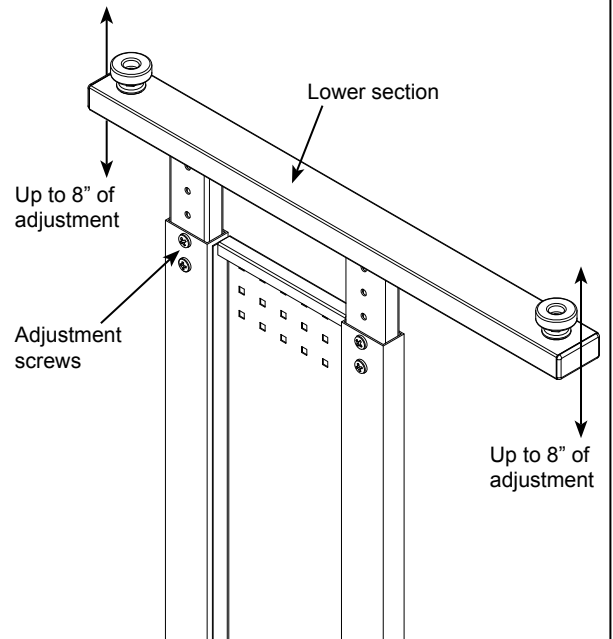


Figure 2D

3. Attach chair rail

1. Carefully stand the desk upright-this will require at least two people.
2. Attach the chair rail with (2) 1/4-20 x 2" FHM screws as shown.

Figure 3A, 3B. The chair rail should extend above the worksurface, and the countersunk holes should be on the outside.

Note: If you are assembling a 60 or 72" desk, attach the center of the chair rail to the chair rail bracket using the 3rd flat head screw. (The chair rail bracket may require slight adjustment to align properly.)

3. For 60" & 72" desks only: Using the 3rd flat head screw, attach the center of the chair rail to the chair rail bracket. (The chair rail bracket may require slight adjustment for proper alignment).
4. Tighten all screws securely.

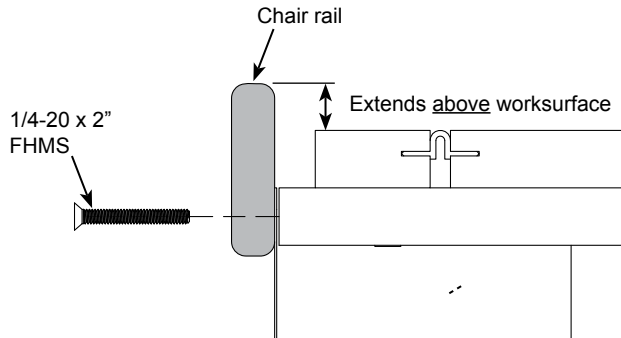


Figure 3A

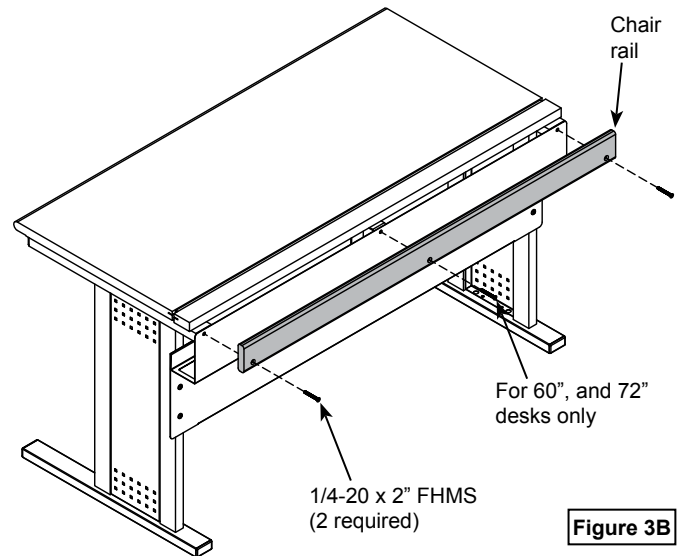


Figure 3B

4. Attaching desks together (optional)

Two desks can be attached together with (2) of the included unit-to-unit brackets and (2) 1/4-20 x 5/8" PHM screws. **Figure 4.**

1. Locate the desks next to each other in their final position.
2. Attach one of the unit-to-unit brackets to the back of the legs with (2) 1/4-20 x 5/8" PHM screws and tighten securely.
3. To attach the front unit-to-unit bracket to the legs, unscrew the existing front leg screws enough to slide in the bracket, then re-tighten the screws.

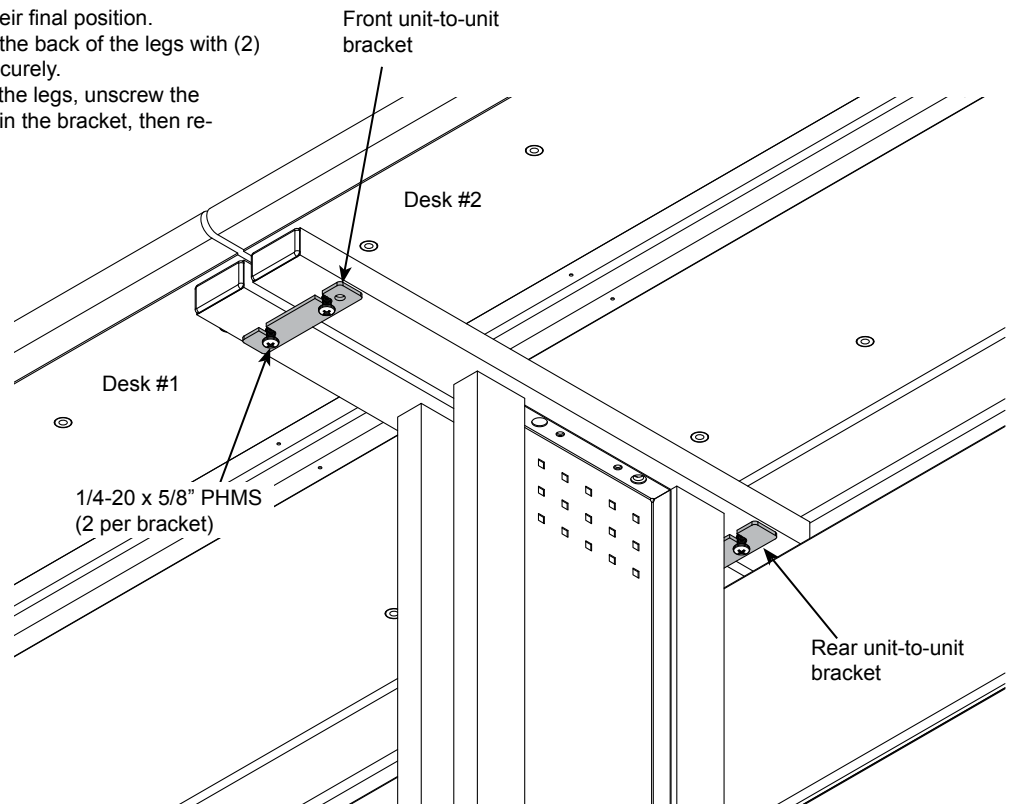


Figure 4

Warranty

WE WILL MAKE IT RIGHT FOR YOU!

Spectrum is committed to provide complete customer satisfaction. Each of our products is manufactured from the best materials available and each product is stringently monitored throughout the production process through our P.A.C.E. program (Product Assurance to meet Customer Expectations).

We expressly warrant that Spectrum products will be of good quality and workmanship and free from defect for the period set out in the warranty table below from the date of delivery. This warranty shall not apply to defects or damage resulting from misuse, abuse, neglect, improper care, modification or repair not authorized by Spectrum, or any other cause outside the control of Spectrum. Spectrum will, at its sole option, either repair or replace the defective product.

This warranty is exclusive; no other warranty, written or oral, is expressed or implied. This warranty is given by Spectrum to Buyer and to no other person or legal entity. No Spectrum dealer, distributor, agent or employee is authorized to make any modification or addition to this warranty.

NOTWITHSTANDING ANYTHING TO THE CONTRARY, SPECTRUM WILL NOT UNDER ANY CIRCUMSTANCES BE LIABLE FOR INDIRECT OR LIQUIDATED DAMAGES, INCLUDING CONSEQUENTIAL, INCIDENTAL AND SPECIAL DAMAGES. IN NO EVENT SHALL SPECTRUM'S LIABILITY, WHETHER UNDER CONTRACT OR WARRANTY, IN TORT OR OTHERWISE, EXCEED THE PURCHASE PRICE RECEIVED BY SPECTRUM FOR THE PRODUCT AT ISSUE AND "RECALL ACTION" EXPENSES. SPECTRUM SHALL NOT BE SUBJECT TO ANY OTHER OBLIGATIONS OR LIABILITIES, WHETHER ARISING OUT OF BREACH OF CONTRACT, WARRANTY, TORT (INCLUDING NEGLIGENCE AND STRICT LIABILITY) OR OTHER THEORIES OF LAW, WITH RESPECT TO PRODUCTS SOLD OR SERVICES RENDERED BY SPECTRUM, OR ANY UNDERTAKINGS, ACTS OR OMISSIONS RELATING THERETO.

Our Customer Service Department is ready to provide immediate attention to any questions, comments or concerns. They are available to answer your calls Monday through Friday from 7 am to 5 pm CST. In addition your product comments or concerns are welcome via e-mail at: spectrum@spectrumfurniture.com.

Warranty Table

Item	Warranty Period effective 1/1/2015
Adjustable Crank / Electric Desk Legs	• 1 Year
Flat Panel Desk Gas Cylinders	
Chairs <ul style="list-style-type: none"> • Adjustable Height Chair Parts – including frames, gas cylinders, wood and plastic parts, control handles, casters • Adjustable Height Chair Upholstery • In-Stock Upholstery • Graded-In Fabrics and Customer Owned Material 	<ul style="list-style-type: none"> • 7 Years • 2 Years • 2 Years • No Warranty
Height Adjustable Columns and Lifts	• 1 Year
General Use Casters	
Electrical (including timers and LINAK actuators)	• 2 Years
Keyboard / Mouse Trays	• 1 Year
Flat Panel Monitor Arms <ul style="list-style-type: none"> • Flat Panel Monitor Arm – General Parts • Flat Panel Monitor Arm – Gas Cylinders 	<ul style="list-style-type: none"> • 5 Years • 2 Years
Desks and Lecterns <ul style="list-style-type: none"> • Computer Desk Chassis • Cart Chassis • Lectern Chassis 	• 10 Years

