

Assembly Instructions

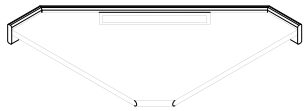
⚠ Important ⚠

Before you begin, read and comply with all safety and operating instructions, and ensure all parts and correct quantities are included.

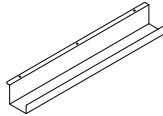
Any parts damaged during shipment must be reported within 5 days of receipt. To report information regarding missing parts or damage, to purchase parts or accessories, or if you have any questions, please contact us.

www.spectrumfurniture.com
800-235-1262, 715-723-6750

Thank you for purchasing Spectrum products!



(1) 052510
Worksurface assembly



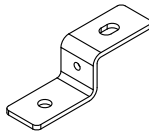
(1) 044234
Cord channel



(15) 026064
1/4-20 x 5/8" PHMS



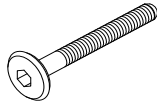
(2) 041943
1/4-20 Locknut



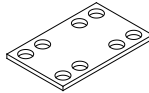
(2) 0102049
Z-bracket



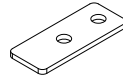
(2) 050524
#8 x 3/4" PH TEK
screw



(2) 021554
1/4-20 x 50mm
JC bolt



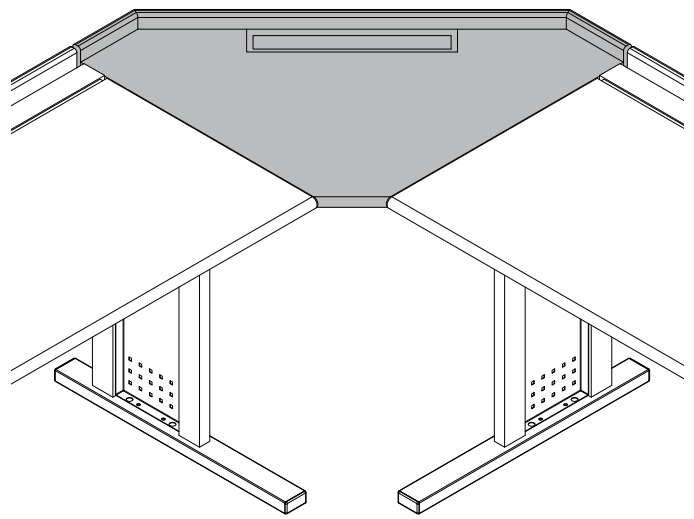
(2) 036281
Dual unit-to-unit
bracket



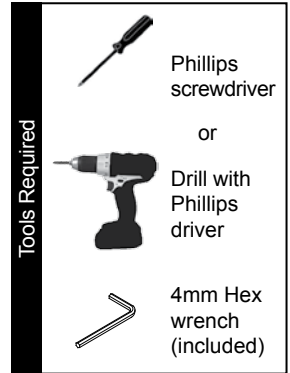
(2) 036207
Flip-top support
bracket



(1) 025039
4mm Hex wrench



Evolution Corner Connector (30"D) 38906



1. Attach Brackets & Cord Channel

- Place the worksurface assembly face-down onto a non-abrasive surface.
- Attach the two Flip-top support brackets and Cord Channel with 1/4-20 x 5/8" PHM screws as shown in **Figure 1**.

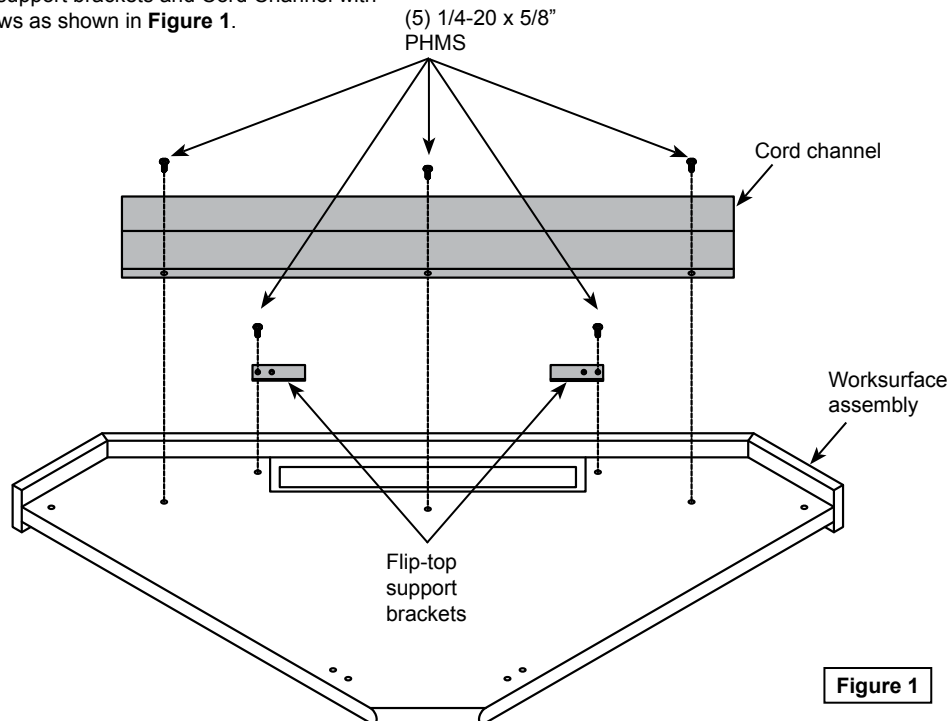


Figure 1

2. Attach Brackets to Desks

1. Attach the 'Z' Brackets to the rear of each desk as shown in **Figure 2** using (1) 1/4-20 x 50mm JC Bolt and Locknut. Tighten completely. Note: The elongated hole on the 'Z' Bracket will attach to the Corner Connector.
2. Using an electric drill with a Phillips bit, install a #8 x 3/4" PH TEK Screw through the 'Z' Bracket and into the leg. Be careful not to strip-out the screw.
3. Attach the Dual Unit-to-Unit Brackets to the front of each desk as shown. Do not tighten completely.

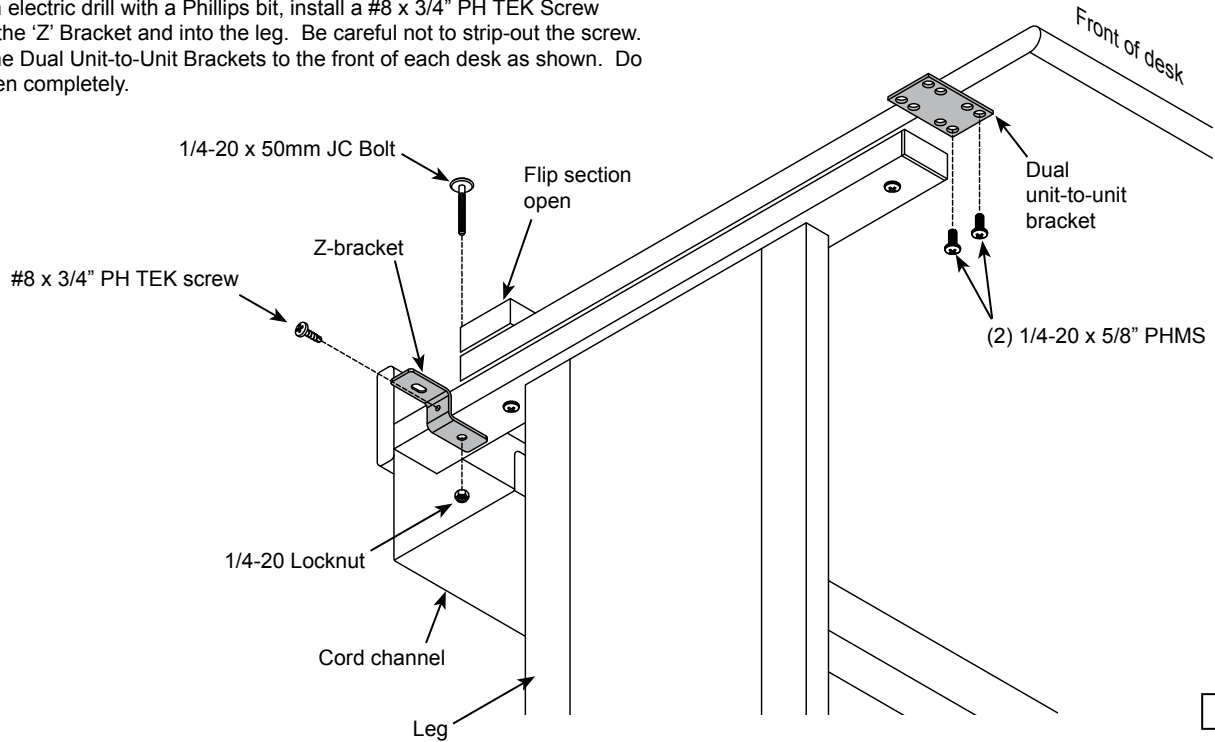


Figure 2

3. Attach Corner Connector to Desks

1. Align both desks 90° to each other leaving about 6" between the corners as shown in **Figure 3**.
2. Place the Corner Connector onto the brackets and align the mounting holes.
3. Attach with (6) 1/4-20 x 5/8" PHM screws, but do not tighten completely-after the screws are started, alignment of the desks may be necessary.
4. After alignment is satisfactory, tighten all screws.

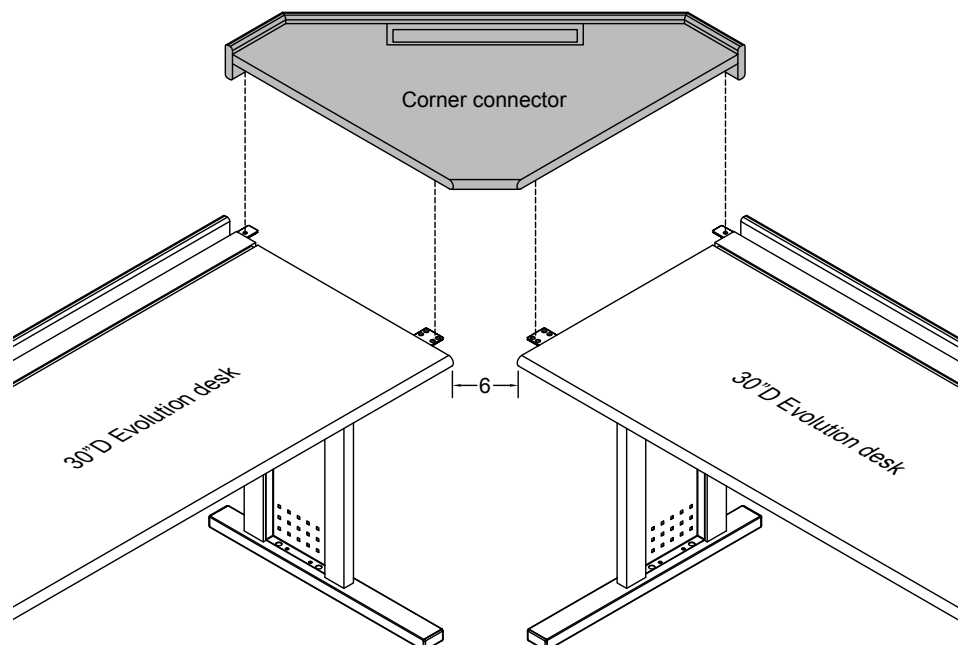


Figure 3