

Assembly Instructions



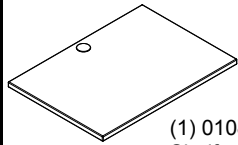
Important

Before you begin, read and comply with all safety and operating instructions, and ensure all parts and correct quantities are included.

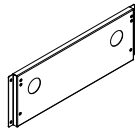
Any parts damaged during shipment must be reported within 5 days of receipt. To report information regarding missing parts or damage, to purchase parts or accessories, or if you have any questions, please contact us.

www.spectrumfurniture.com
800-235-1262, 715-723-6750

Thank you for purchasing Spectrum products!



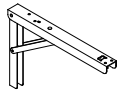
(1) 0108807
Shelf



(1) 0108808
Shelf support



(4) 052605
1/4-20 x 15mm
JC bolts



(2) 056886
Folding bracket



(4) 021587
8-32 x 1/2" PHMS



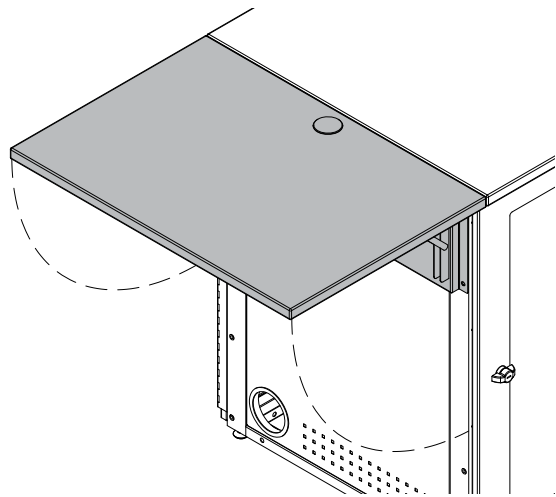
(1) 039622
2" Round
grommet



(8) 026073
#8 x 3/4" PHSM



(2) 059984
Snap-in
grommet



Flip-up shelf for equipment rack 68204



(1) 025039
4mm Hex wrench



(2) 026059
1/4" Flat washer
Used on Freedom One®
equipment racks only

Tools Required



Phillips
Screwdriver



4mm Hex
Wrench
(included)

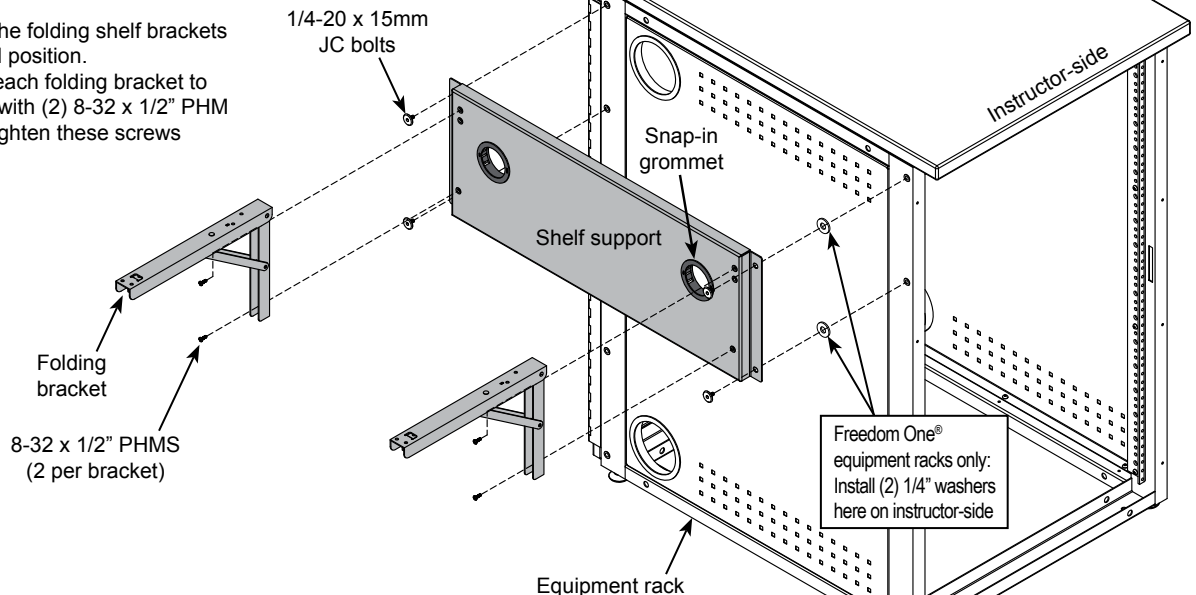
1. Attach shelf support to equipment rack

- Align and attach the shelf support to the side of the equipment rack with (4) 1/4-20 x 15mm JC bolts and tighten securely. **Figure 1.**
Note: If installing shelf onto a Freedom One eLift equipment rack, install the (2) 1/4" washers as shown.
- Install the two snap-in grommets into the shelf support.

Note: For stability reasons, Spectrum does not recommend attaching the shelf to a stand-alone equipment rack. Do not exceed 35 lbs of weight on shelf. Not compatible with end-support legs.

2. Attach folding brackets to shelf support

- Extend and lock the folding shelf brackets into the horizontal position.
- Align and attach each folding bracket to the shelf support with (2) 8-32 x 1/2" PHM screws. Do not tighten these screws completely yet.



3. Attach shelf to folding brackets

1. Attach the shelf to the fully-extended folding brackets with (8) #8 x 3/4" PHSM screws. (4 per bracket). **Figure 2.**
2. Tighten all screws securely.
3. Install 2" shelf grommet.

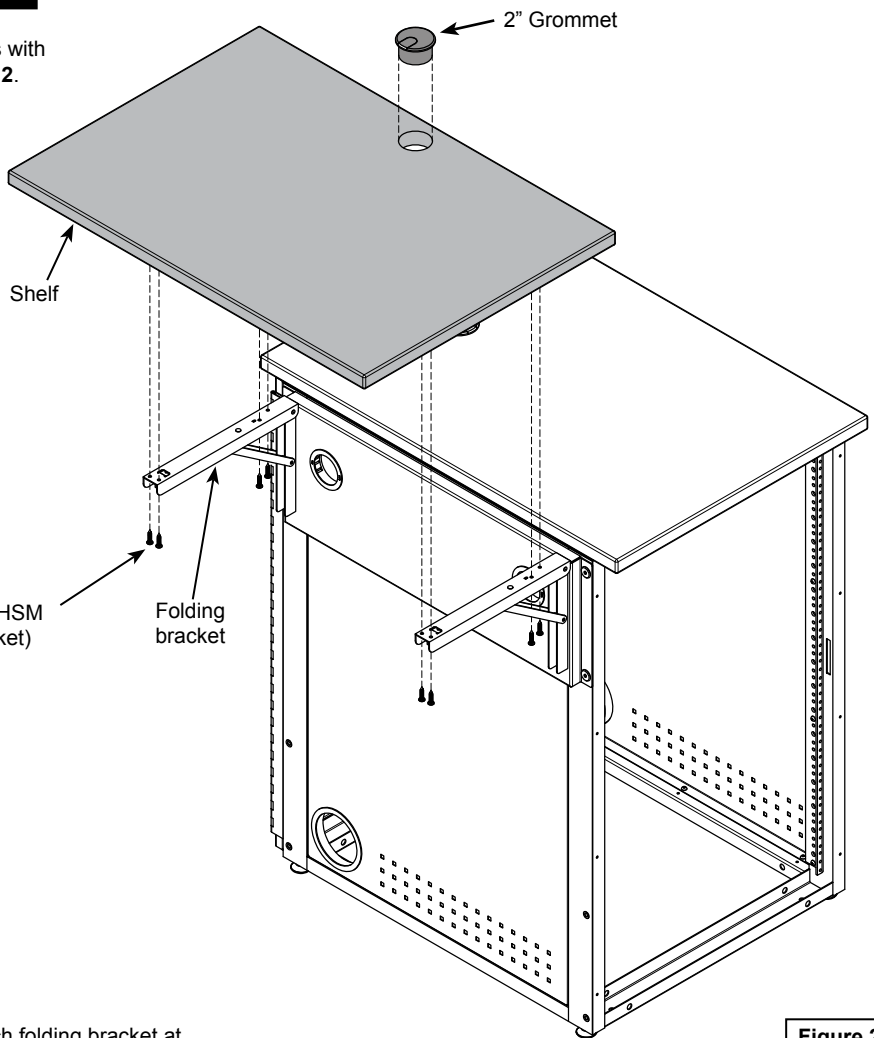


Figure 2

CAUTION

Keep clear of pinch points during shelf movement.
Do not exceed 35 lb [15.9 kg] of weight on shelf.

4. Shelf operation

To lower or flip-up the shelf, release the levers under each folding bracket at the same time while slowly lowering or raising the shelf. The shelf will lock into place when lifted into the horizontal position.

CAUTION

Keep clear of pinch points during shelf movement.
Do not exceed 35 lb [15.9 kg] of weight on shelf.

Operation

The shelf will automatically lock into place when lifted into the horizontal position with the levers released. To lower or flip-up the shelf, press and hold the levers under each folding shelf bracket at the same time while slowly lowering or raising the shelf. Do not exceed a maximum of 35 lb of weight on the shelf. Do not move the unit while the shelf is in the horizontal position.

Note: Power and communication wiring for document cameras, laptop computers, and / or projectors placed on the flip-up shelf should be routed on top of the audience-side of the shelf. Use of the shelf grommet hole for wiring will result in pinching of the cords when the shelf is lowered.

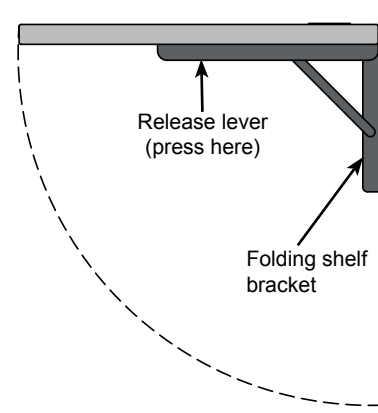


Figure 3