

Assembly Instructions

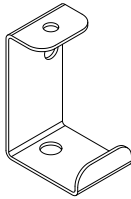
⚠ Important ⚠

Before you begin, read and comply with all safety and operating instructions, and ensure all parts and correct quantities are included.

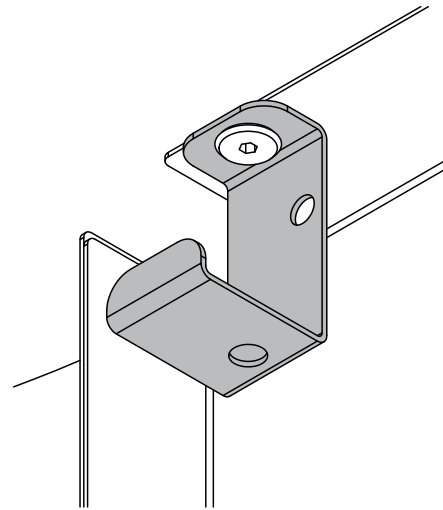
Any parts damaged during shipment must be reported within 5 days of receipt. To report information regarding missing parts or damage, to purchase parts or accessories, or if you have any questions, please contact us.

www.spectrumfurniture.com
800-235-1262, 715-723-6750

Thank you for purchasing Spectrum products!



(3) 0100357
Wire Management Clips



Wire Management Clips for IMC 68206

Tools Required

4mm Hex wrench

Installation

1. Determine the position for each clip then remove the corresponding wall filler JC bolt.
2. Attach each clip using the removed JC bolt and tighten securely.
3. Use the installed clips to route cords and wires running from the worksurface grommets.

Note: Cords and wires can be routed under the worksurface using the wire management clips. The 1/4-20 x 15mm JC bolts used to attach the wall filler panels will be used to attach the clips.

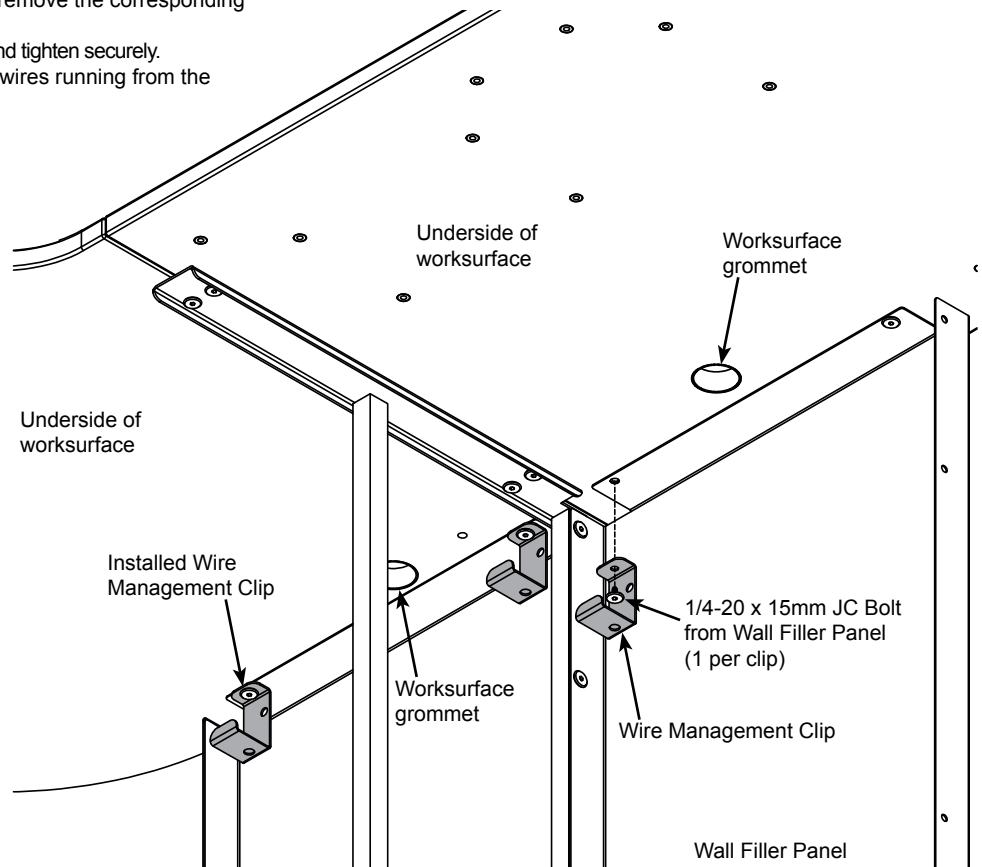


Figure 1