

Assembly Instructions

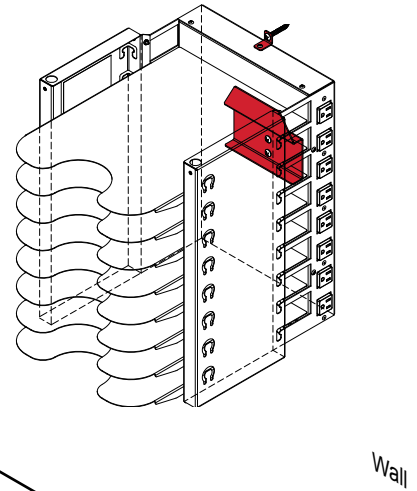
⚠ Important ⚠

Before you begin, read and comply with all safety and operating instructions, and ensure all parts and correct quantities are included.

Any parts damaged during shipment must be reported within 5 days of receipt. To report information regarding missing parts or damage, to purchase parts or accessories, or if you have any questions, please contact us.

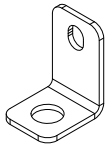
www.spectrumfurniture.com
800-235-1262, 715-723-6750

Thank you for purchasing Spectrum products!

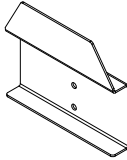


Wall Hanging Kit for Collectiv8™ Charging Pillar 55396

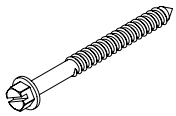
- (1) 55396 kit will attach one unit to a wall
- Fasteners included for concrete wall applications
- To fully comply with ADA guidelines, it's recommended the unit be hung above base cabinets or other permanent structure that extends to the floor



(1) 0134543
L-bracket



(1) 0134531
Wall hanger bracket



(4) 0101381
#14 x 1-3/4" PHSM screw
(for wood stud walls)

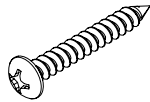
(4) 055699
1/4" x 1-1/4" Tapcon Hex
(For concrete walls)



(1) 0190174
#8 x 3/8" PHSM screw

1. Install wall hanger bracket

Wood stud wall



(2) 0101381
#14 x 1-3/4" PHSM

Tools Required



Drill



Phillips driver



Level

1. Locate stud in wall. Position the wall hanger bracket at the preferred height.
2. Level the bracket.
3. Using a drill with a Phillips driver, install the wall hanger bracket onto the wall with (2) #14 x 1-3/4" PHSM screws. **Figure 1.1.** Tighten securely.

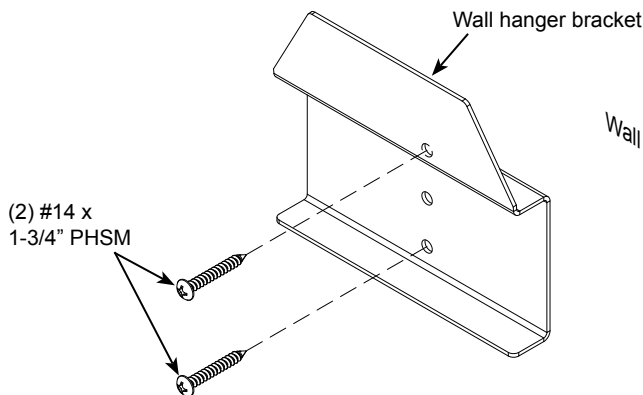
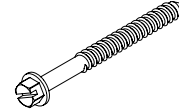


Figure 1.1

Concrete wall



(2) 055699
1/4" x 1-1/4" Tapcon
Hex screw

Tools Required



Hammer drill

3/16"
Masonry
drill bit



Level



Ratcheting
wrench
with 5/16"
socket

1. Position the wall hanger bracket at the preferred location and height on the wall.
2. Level the bracket.
3. Mark the (2) mounting hole locations onto the wall.
4. Using a hammer drill with 3/16" masonry drill bit, drill into the wall at the (2) marked locations. (Approximately 1-1/4"D).
5. Install the wall hanger bracket with (2) 1/4" x 1-1/4" Tapcon fasteners. **Figure 1.2.** Tighten securely.

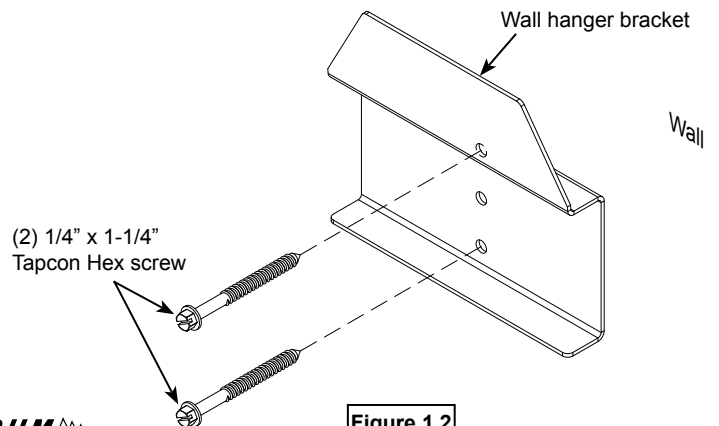


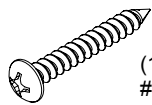
Figure 1.2

2. Install L-bracket and screw to wall

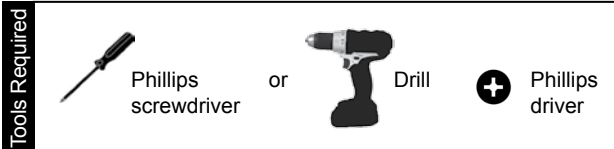
Wood stud wall



(1) 0190174
#8 x 3/8" PHSM
screw



(1) 0101381
#14 x 1-3/4" PHSM

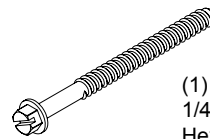


1. Attach the L-bracket to the top of the unit (using slotted hole) with (1) #8 x 3/8" PHSM screw. **Figure 2.**
2. Install the 3rd #14 x 1-3/4" PHSM screw through the L-bracket into the wall.

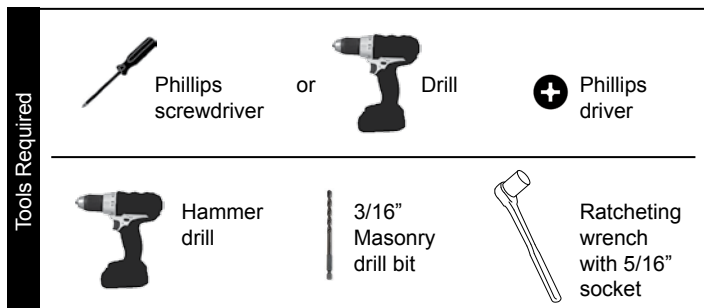
Concrete wall



(1) 0190174
#8 x 3/8" PHSM
screw



(1) 0132697
1/4" x 2-1/4" Tapcon
Hex screw



1. Attach the L-bracket to the unit (using slotted hole) with (1) #8 x 3/8" PHSM screw. **Figure 2.**
2. Mark the L-bracket hole location onto the wall.
3. Lift the unit off the wall hanger bracket.
4. Using a hammer drill with 3/16" masonry bit, drill into the wall at the marked location (approximately 1-1/2"D).
5. Place unit back onto wall hanger bracket
6. Install the 1/4" x 2-1/4" Tapcon Hex screw through the L-bracket.

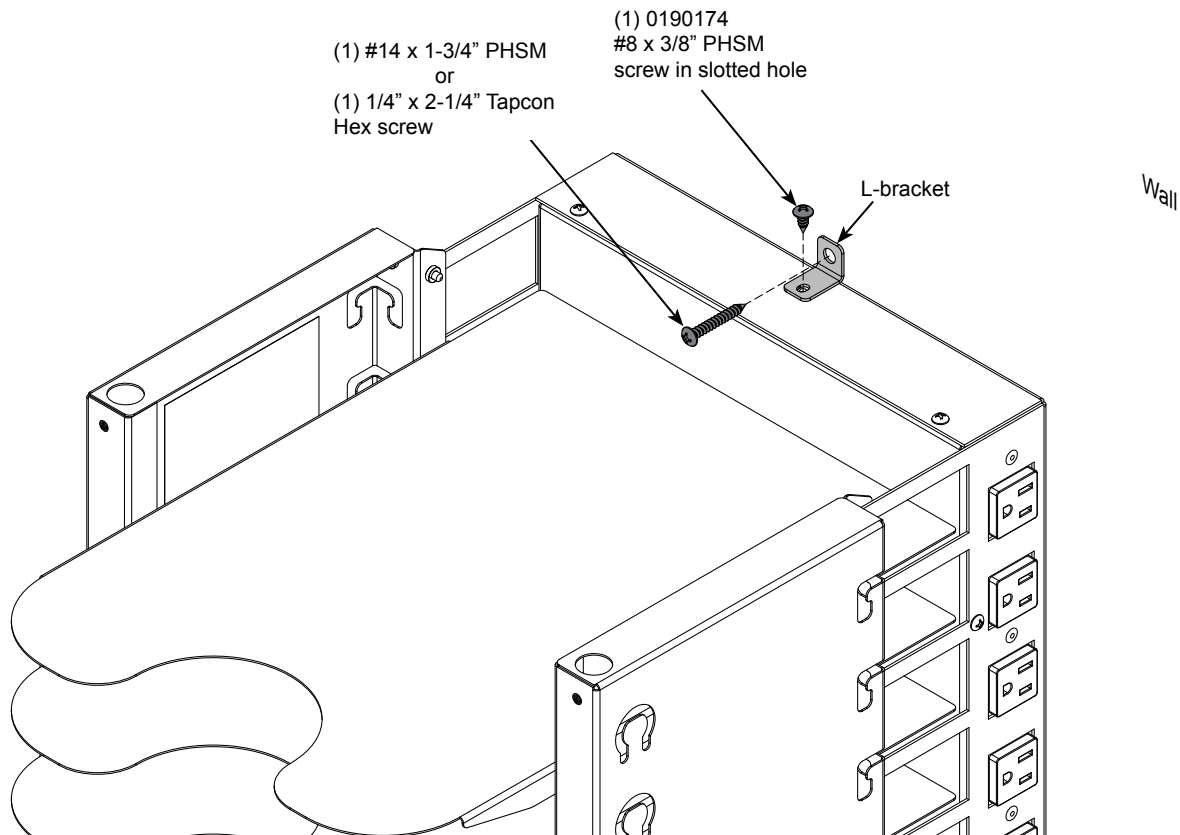


Figure 4