

# Assembly Instructions

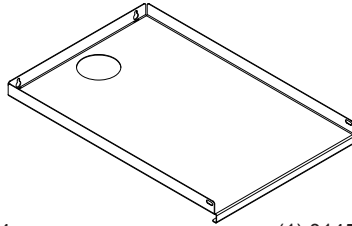
## ⚠ Important ⚠

Before you begin, read and comply with all safety and operating instructions, and ensure all parts and correct quantities are included.

Any parts damaged during shipment must be reported within 5 days of receipt. To report information regarding missing parts or damage, to purchase parts or accessories, or if you have any questions, please contact us.

[www.spectrumfurniture.com](http://www.spectrumfurniture.com)  
800-235-1262, 715-723-6750

Thank you for purchasing Spectrum products!

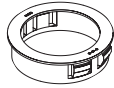


(4) 0190174  
#8 x 3/8" PHSM

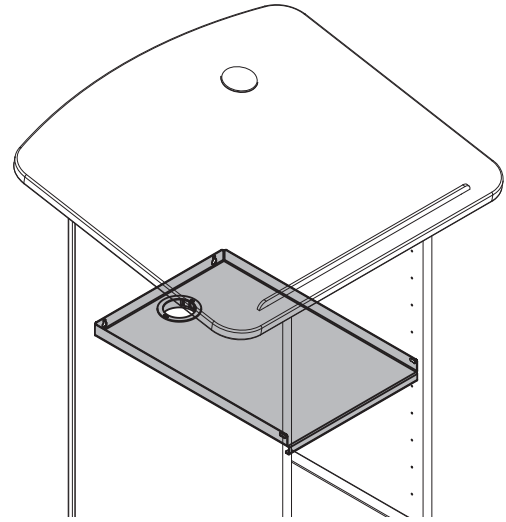
(1) 0145953  
Shelf



(2) 037542  
#8 x 5/8" PHSM



(1) 059984  
2" Grommet



## Additional Shelf for Slim Lectern 55514



## Installation

1. Install (2) #8 x 3/8" PHSM screws in the back panel at the desired height of the shelf. Install screws about halfway-this will allow the shelf keyholes to be used. **Figure 1.**
2. Set the shelf onto the screws and install the (2) instructor-side screws using the pre-drilled side panel holes. (2) #8 x 3/8" PHSM for metal side panels, or (2) #8 x 5/8" PHSM for wood side panels. Be sure the shelf sits level.
3. Tighten all screws securely.
4. Install 2" grommet.

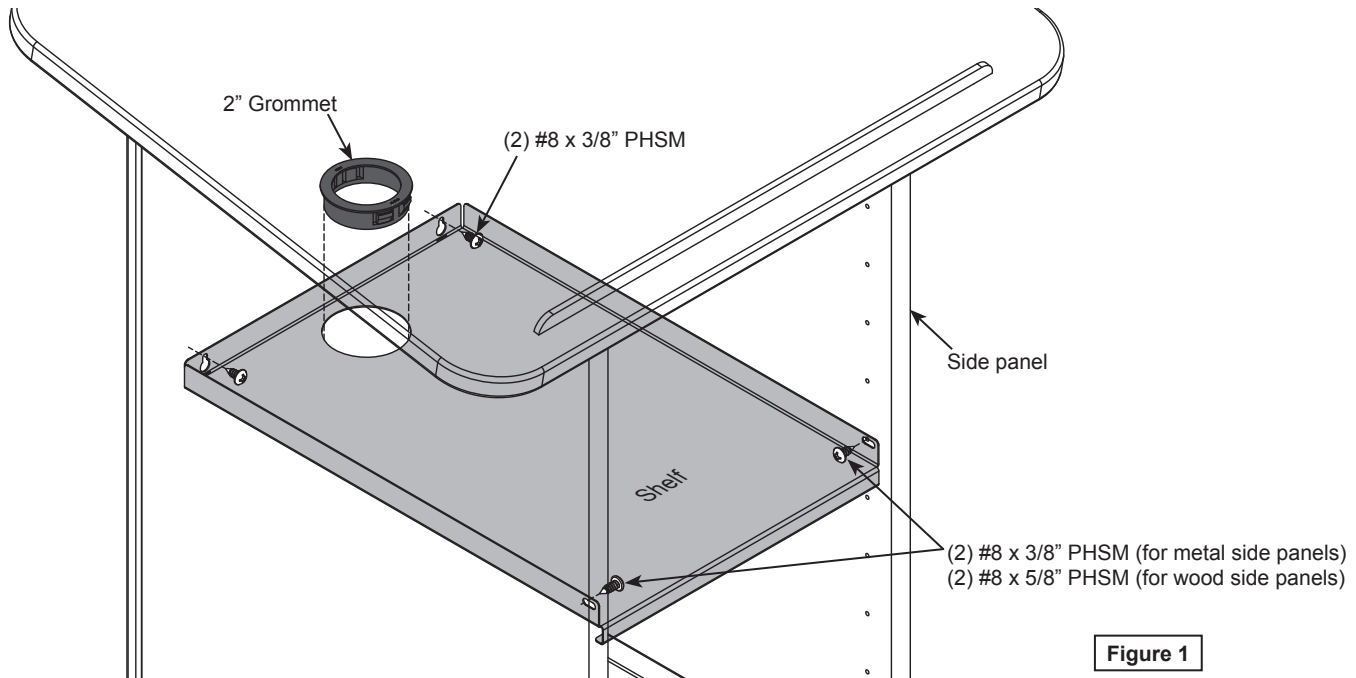


Figure 1