

Assembly Instructions

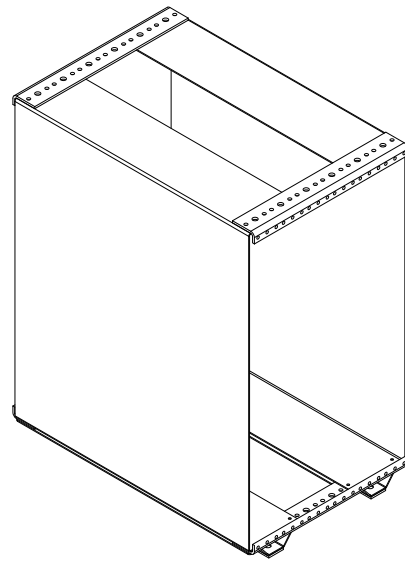
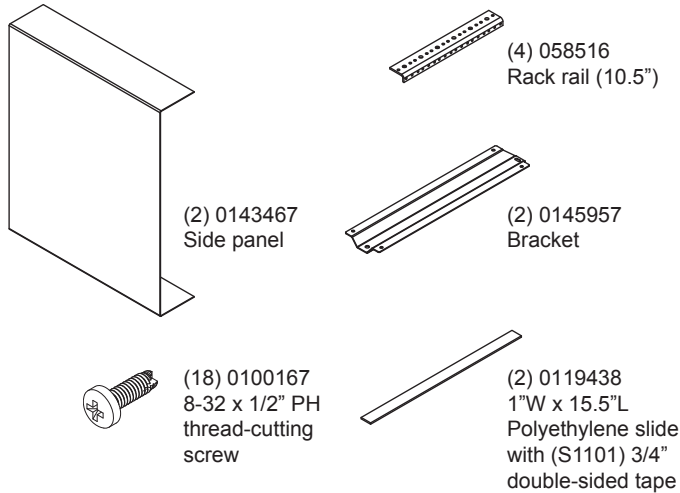
⚠ Important ⚠

Before you begin, read and comply with all safety and operating instructions, and ensure all parts and correct quantities are included.

Any parts damaged during shipment must be reported within 5 days of receipt. To report information regarding missing parts or damage, to purchase parts or accessories, or if you have any questions, please contact us.

www.spectrumfurniture.com
800-235-1262, 715-723-6750

Thank you for purchasing Spectrum products!



6RU Vertical Rack Rail for Slim Lectern 97524



8-32 x 1/2" PH thread-cutting screw (16 req'd)

1. Assemble rack cube

1. Align the cube sides, four rack rails, and brackets as shown. **Figure 1.**
2. Assemble with (16) 8-32 x 1/2" PH thread-cutting screws. Note the orientation of the rails. The lower rails will also get sandwiched between the side panels and brackets.
3. Tighten screws securely.

2. Apply slides

1. Apply the polyethylene slides to the brackets as shown. **Figure 2.** Each slide should be placed flush with the edge of the bracket.

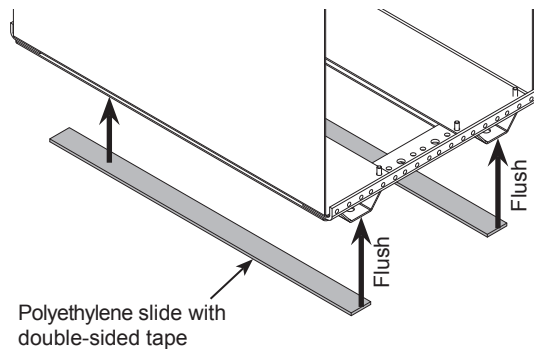


Figure 2

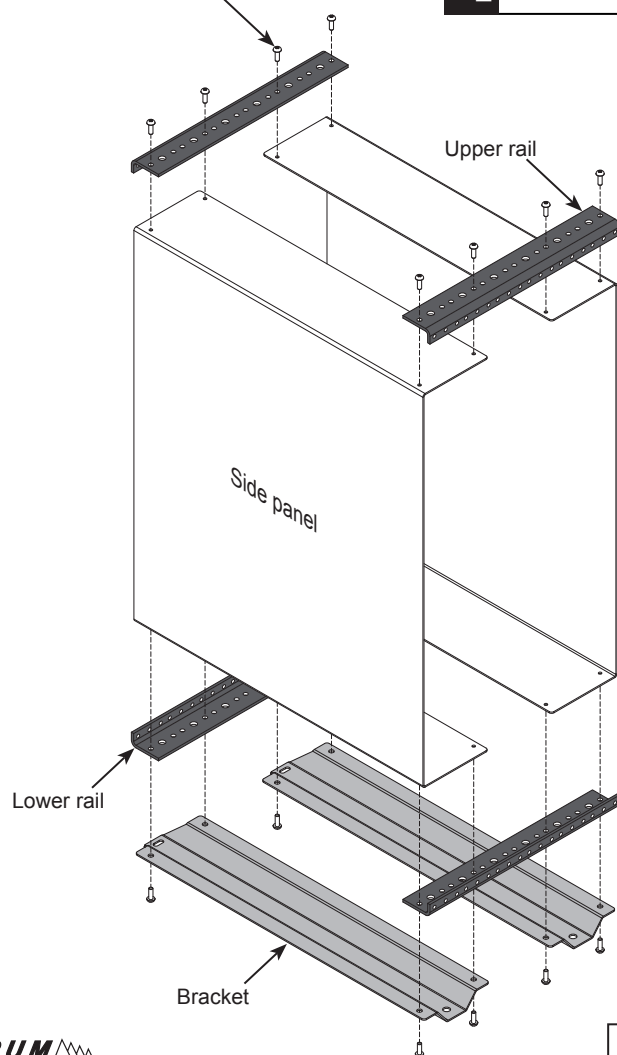


Figure 1

3. Install rack cube

1. Place the cube assembly onto the base panel of lectern. **Figure 3.1.**
2. If the cube needs to be secured to the lectern, remove the audience-side panel. (Lift up, then out). **Figure 3.2.**
3. Align the cube with the mounting holes in the base panel and use (2) 8-32 x 1/2" PH thread-cutting screws (1 through each bracket) to secure to base panel. **Figure 3.3.**

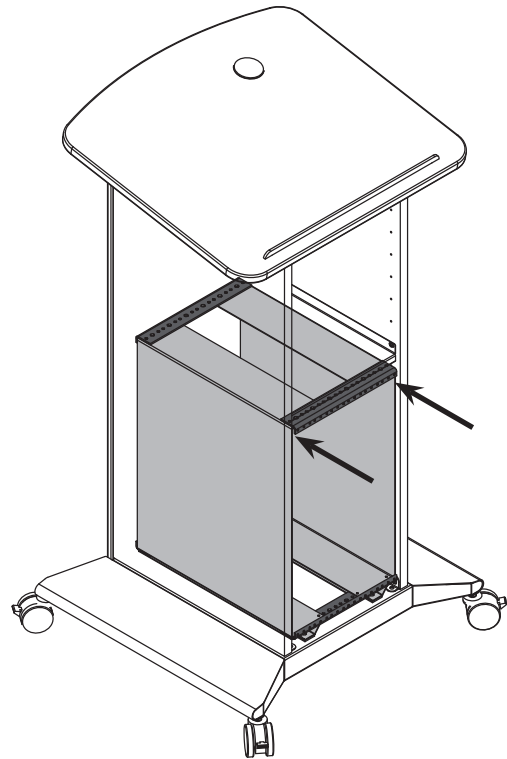


Figure 3.1

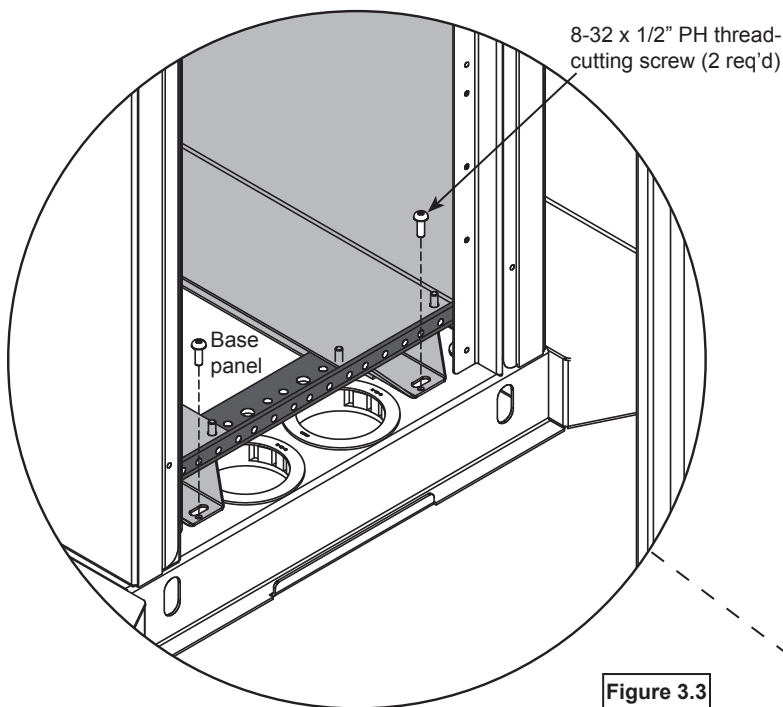


Figure 3.3

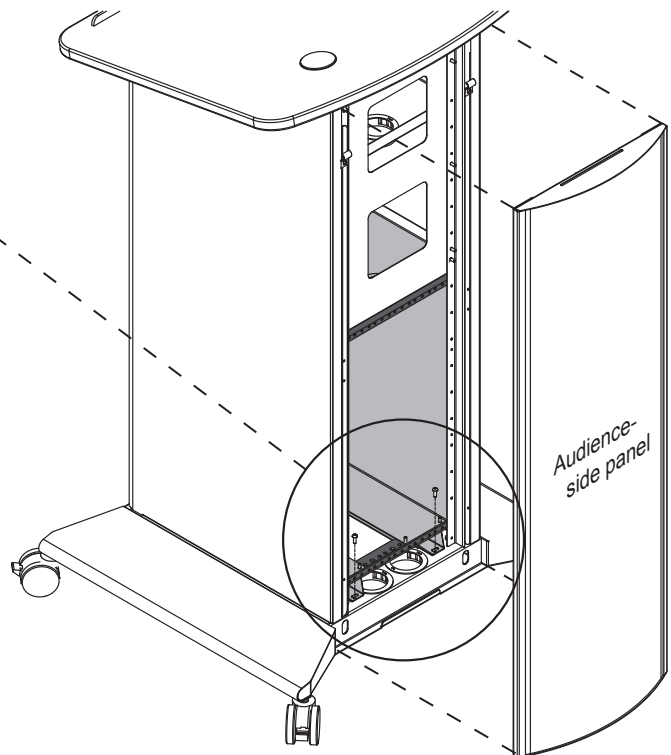


Figure 3.2

Note: The rack cube provides 6RU of rack space and is easily removed from the lectern. This simplifies installation of equipment and provides the ability to integrate equipment remotely. The cube can be installed into the lectern at a later date or when convenient.