

# Assembly Instructions

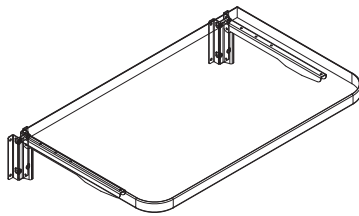
## ⚠ Important ⚠

Before you begin, read and comply with all safety and operating instructions, and ensure all parts and correct quantities are included.

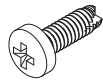
Any parts damaged during shipment must be reported within 5 days of receipt. To report information regarding missing parts or damage, to purchase parts or accessories, or if you have any questions, please contact us.

[www.spectrumfurniture.com](http://www.spectrumfurniture.com)  
800-235-1262, 715-723-6750

Thank you for purchasing Spectrum products!



(1) 0119552  
Flip-up shelf  
Assembly



(8) 0100167  
8-32 x 1/2" PH  
Thread cutting screw

## Attach to Lectern

1. Extend the Honors lectern fully to its highest position.
2. Extend each shelf bracket to by depressing the release lever and lifting until it locks into the 90° position.
3. Align the shelf bracket and lectern mounting holes. **Figure 1.** A second person supporting the shelf will help.
4. Install (4) PH thread-cutting screws through each shelf bracket mount to secure to lectern.
5. Tighten screws securely.

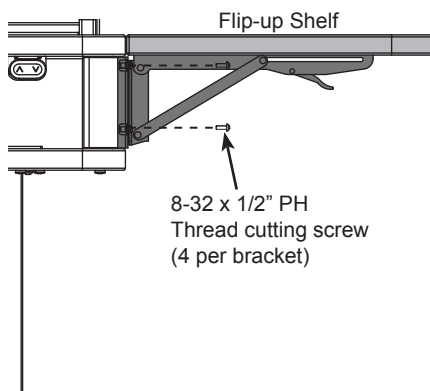
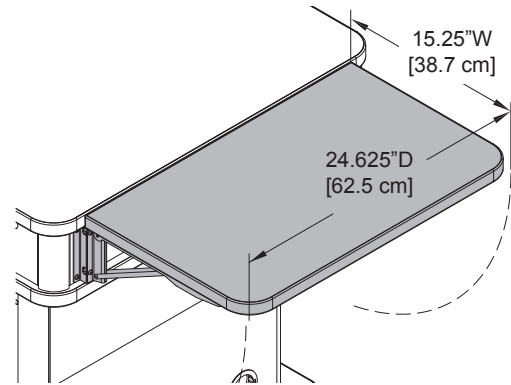


Figure 1



## Flip-up Shelf for Honors Lectern™ 55147



## Operation

The shelf will automatically lock into place when lifted into the horizontal position with the levers released. **Figure 2.** To lower or flip-up the shelf, press and hold the shelf bracket levers while slowly lowering or raising the shelf. Do not move the lectern while the shelf is in the horizontal position.

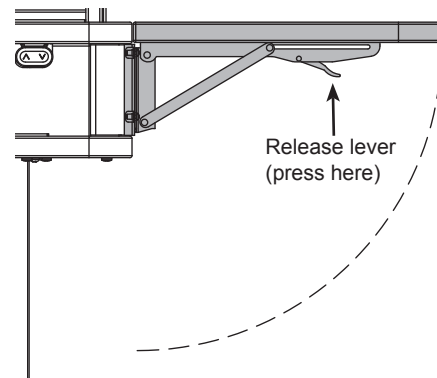


Figure 2

## ⚠ CAUTION ⚠

Keep clear of pinch points during shelf movement.  
Do not exceed 35 lb [15.9 kg] of weight on shelf.