

Assembly Instructions

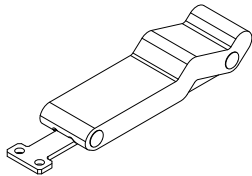
⚠ Important ⚠

Before you begin, read and comply with all safety and operating instructions, and ensure all parts and correct quantities are included.

Any parts damaged during shipment must be reported within 5 days of receipt. To report information regarding missing parts or damage, to purchase parts or accessories, or if you have any questions, please contact us.

www.spectrumfurniture.com
800-235-1262, 715-723-6750

Thank you for purchasing Spectrum products!



(1) 0190420
Ganging latch
+ Keeper #2



(1) 0190421
Keeper #1



(6) 026073
#8 x 3/4" PHSM

Installation

1. Place two tables next to each other.
2. Open the latch and attach to table #1 with (2) #8 x 3/4" PHSM screws. **Figure 1.**
3. Attach keeper #1 to table #1 with (2) #8 x 3/4" PHSM screws.
4. Attach keeper #2 to table #2 with (2) #8 x 3/4" PHSM screws.
5. Tighten screws securely.
6. Close and lock latch to secure tables together. **Figure 2.**

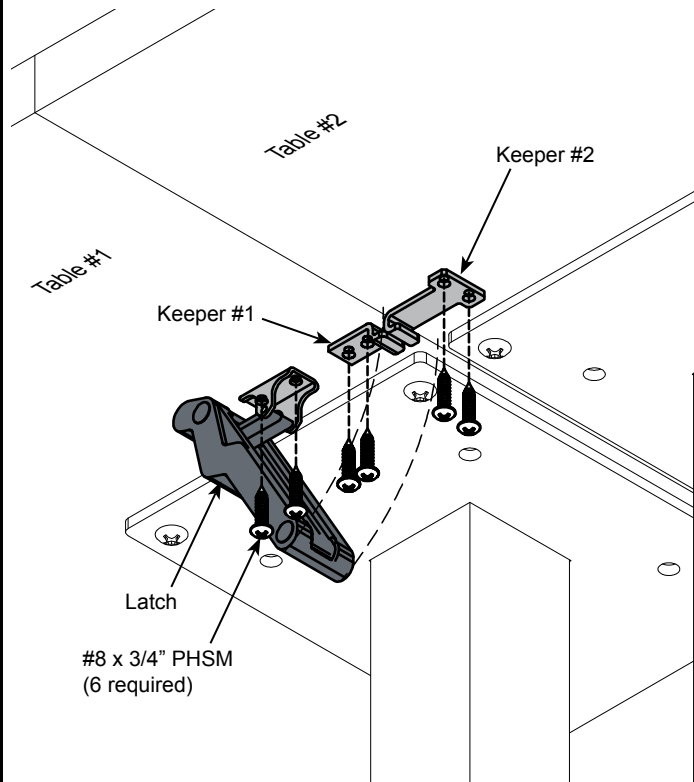
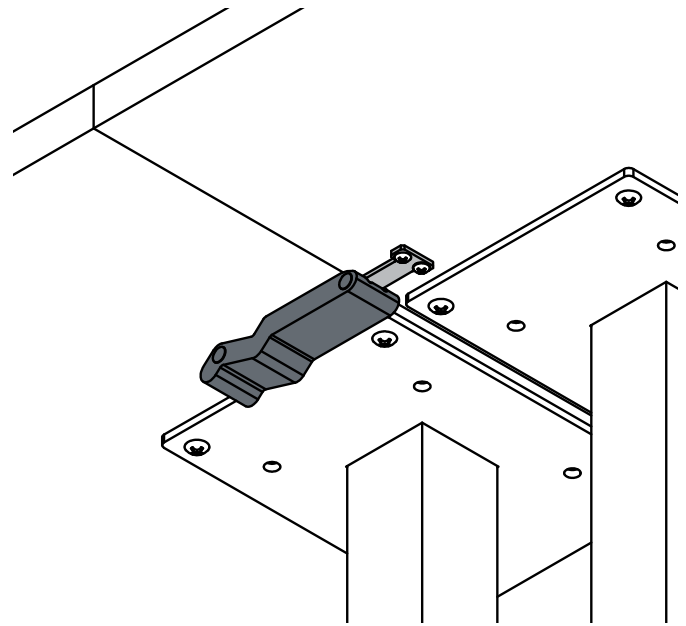


Figure 1



Ganging Latch for Flex Active Table 37238

Tools Required



Phillips
screwdriver

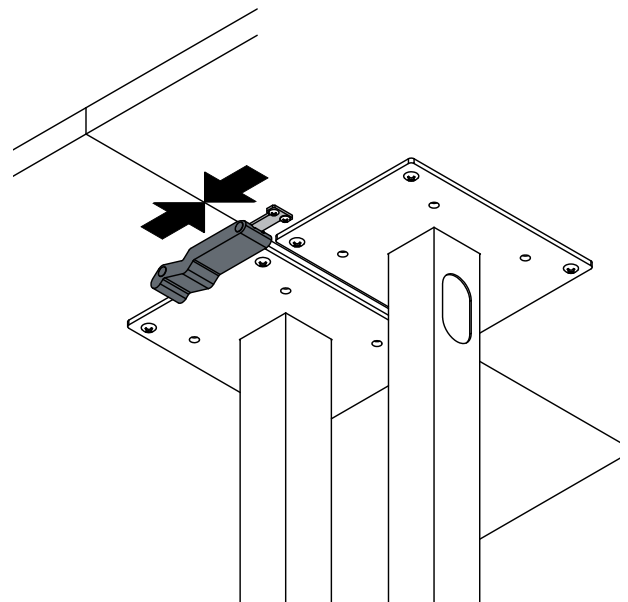


Figure 2