

Assembly Instructions

⚠ Important ⚠

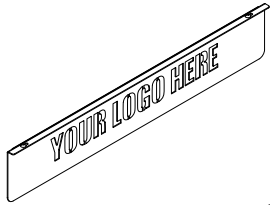
Before you begin, read and comply with all safety and operating instructions, and ensure all parts and correct quantities are included.

Any parts damaged during shipment must be reported within 5 days of receipt. To report information regarding missing parts or damage, to purchase parts or accessories, or if you have any questions, please contact us.

www.spectrumfurniture.com

800-235-1262, 715-723-6750

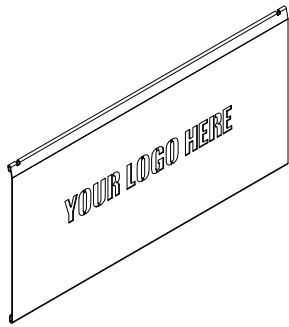
Thank you for purchasing Spectrum products!



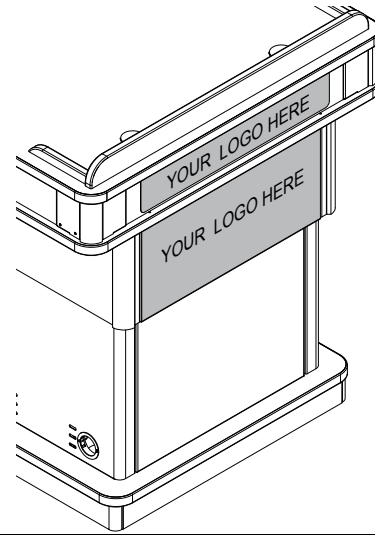
- (1) 0119288
Upper Logo Panel
- (1) 0119283 backer



- (2) 037542
#8 x 5/8" PHSM



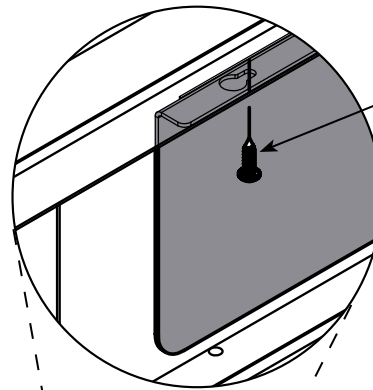
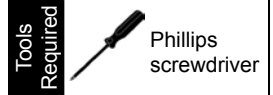
- (1) 0119287
Lower Logo Panel
- (1) 0119298 backer



Customized Logo Panel(s) for Honors Lectern

Upper - 55148

Lower - 55149



- (2) 037542
#8 x 5/8" PHSM

Figure 1A

Upper Logo Panel Installation

1. To install, locate the (2) holes under the work surface edge on the audience-side and install the (2) #8 x 5/8" PHSM screws, but do not tighten completely. **Figure 1.**
2. Align the logo panel slots with the screws, placing the panel against the lectern.
3. Shift the logo panel slightly to the left to lock into the keyhole slots, then secure by tightening the screws securely. **Figure 1A.**

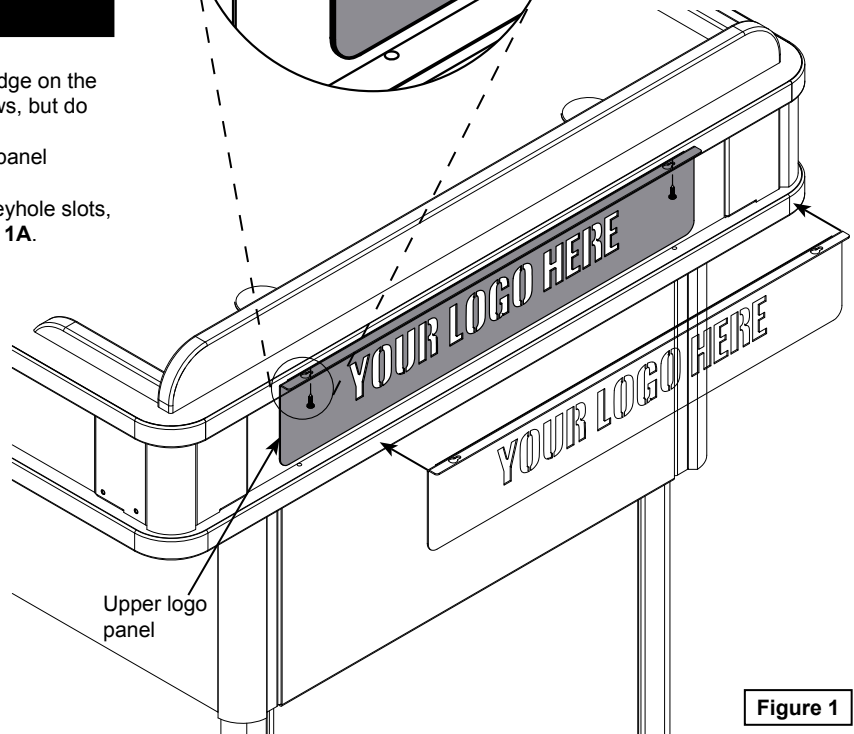


Figure 1

Lower Logo Panel Installation

1. Raise the lectern all the way up.
2. Lift the hinged lower panel to a horizontal position and pull away from lectern to remove. **Figure 2A.**
3. Slide the lower logo panel over the hinged lower panel. **Figure 2B.**

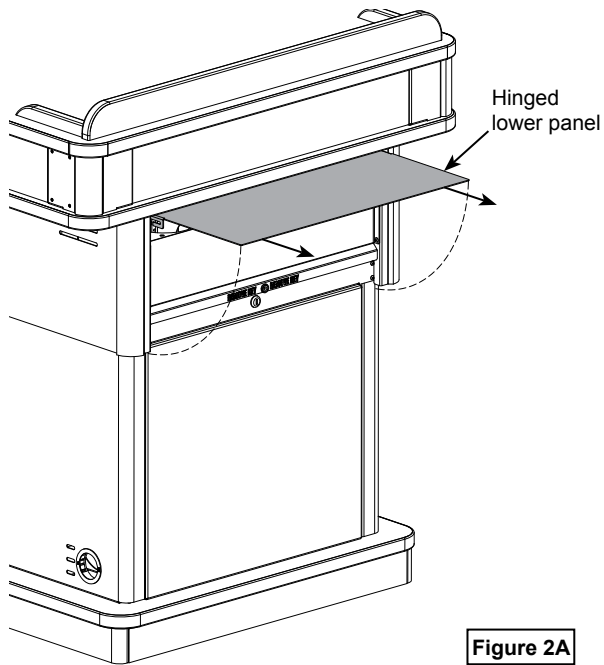


Figure 2A

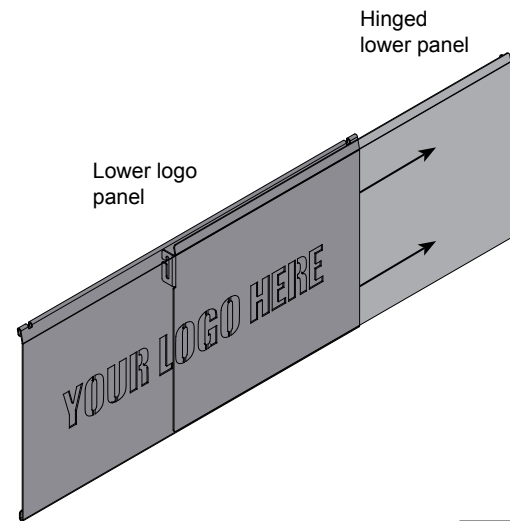


Figure 2B

4. With the hinged lower panel in a horizontal position, re-install to the lectern. **Figure 2C.**
5. When lowered, the panel will lock into place. **Figure 2D.**

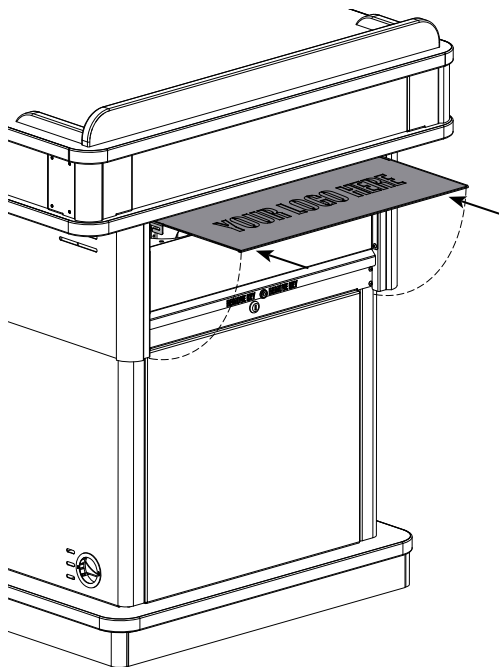


Figure 2C

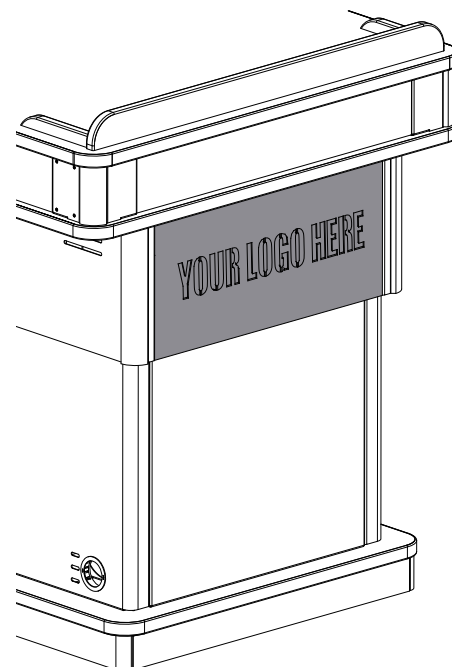


Figure 2D