

# Assembly Instructions

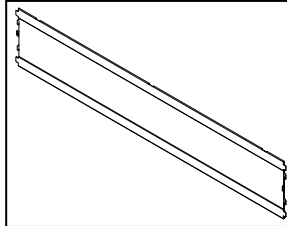
## ⚠ Important ⚠

Before you begin, read and comply with all safety and operating instructions, and ensure all parts and correct quantities are included.

Any parts damaged during shipment must be reported within 5 days of receipt. To report information regarding missing parts or damage, to purchase parts or accessories, or if you have any questions, please contact us.

[www.spectrumfurniture.com](http://www.spectrumfurniture.com)  
800-235-1262, 715-723-6750

Thank you for purchasing Spectrum products!



(1) Modesty panel

| Panel only:    | with insert panel: |
|----------------|--------------------|
| 0190447 - 48"W | 0190450 - 48"W     |
| 0190448 - 60"W | 0190451 - 60"W     |
| 0190449 - 72"W | 0190452 - 72"W     |



(1) 0133632  
Right Corner



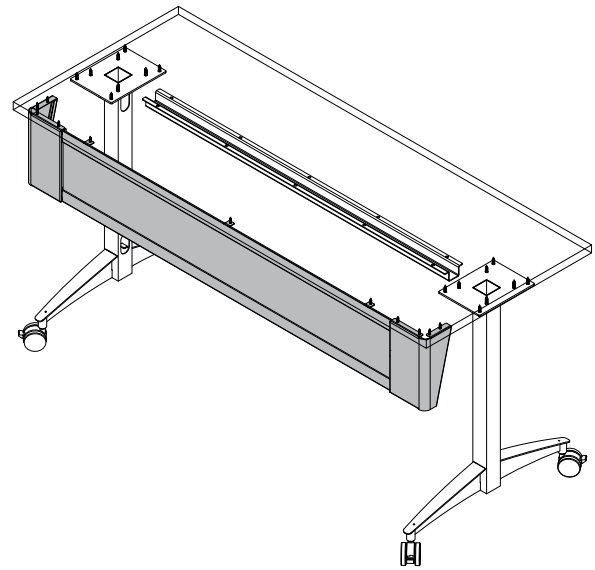
(1) 0133629  
Left Corner



(11) 026073  
#8 x 3/4" PHSM



(3) 0134099  
Mounting bracket



## Modesty Panel for Flex Active Table

- 37234 - 48"W Table
- 37235 - 60"W Table
- 37236 - 72"W Table

## Installation

Note: Before installing, flip the table face down (laminite side-down) onto a flat, non-abrasive surface like another table.

Tools Required



Phillips  
screwdriver

1. Orient the modesty panel and corners as shown and lock together.  
**Figure 1.**

2. Place a mounting bracket inside each panel opening.  
**Figure 2.**

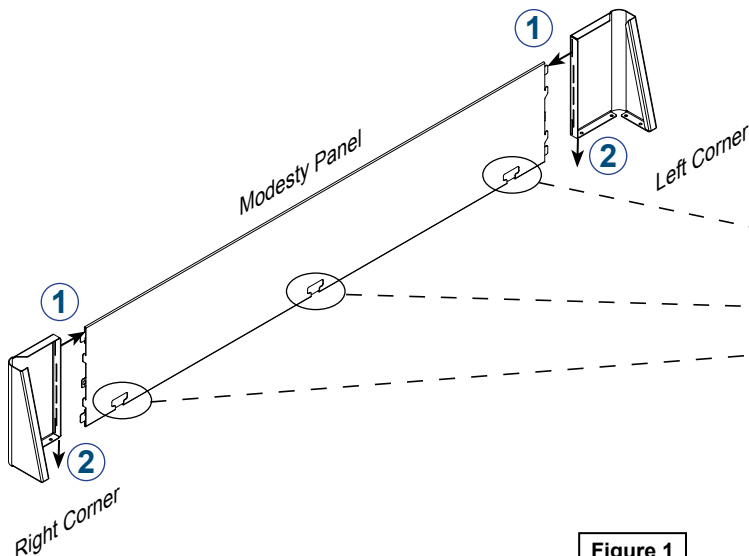


Figure 1

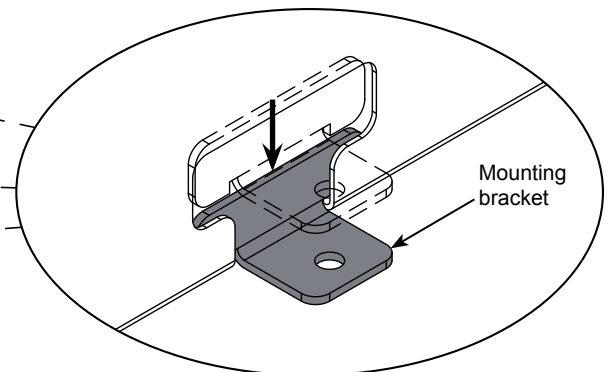
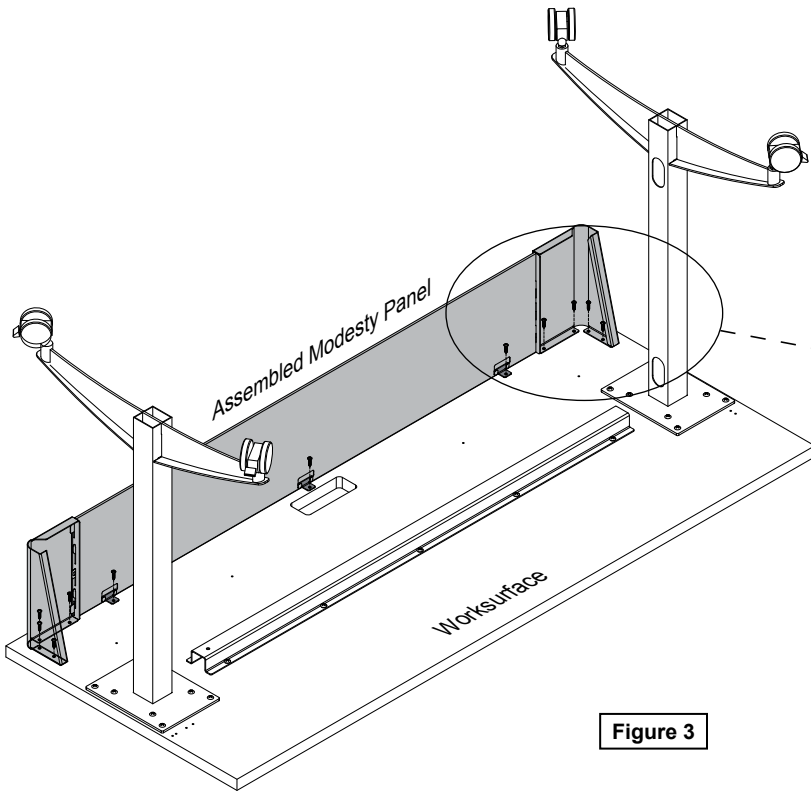


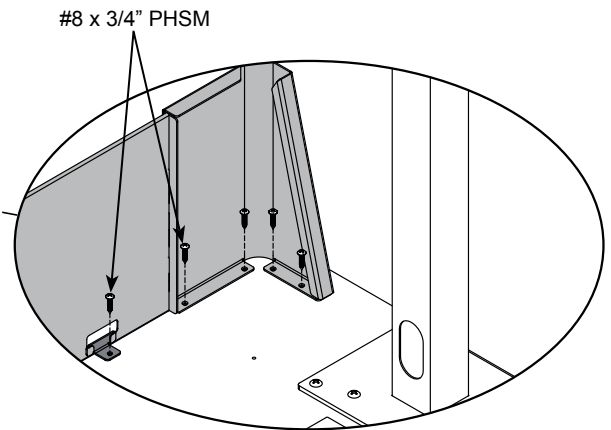
Figure 2

3. Align the modesty panel, bracket, and worksurface mounting holes.  
**Figure 3.**

4. Attach to worksurface with (11) #8 x 3/4" PHSM screws.  
**Figure 4.**



**Figure 3**



**Figure 4**