

Assembly Instructions

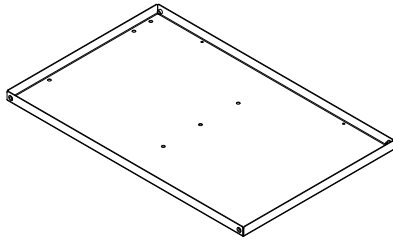
⚠ Important ⚠

Before you begin, read and comply with all safety and operating instructions, and ensure all parts and correct quantities are included.

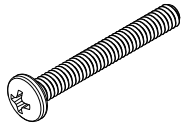
Any parts damaged during shipment must be reported within 5 days of receipt. To report information regarding missing parts or damage, to purchase parts or accessories, or if you have any questions, please contact us.

www.spectrumfurniture.com
800-235-1262, 715-723-6750

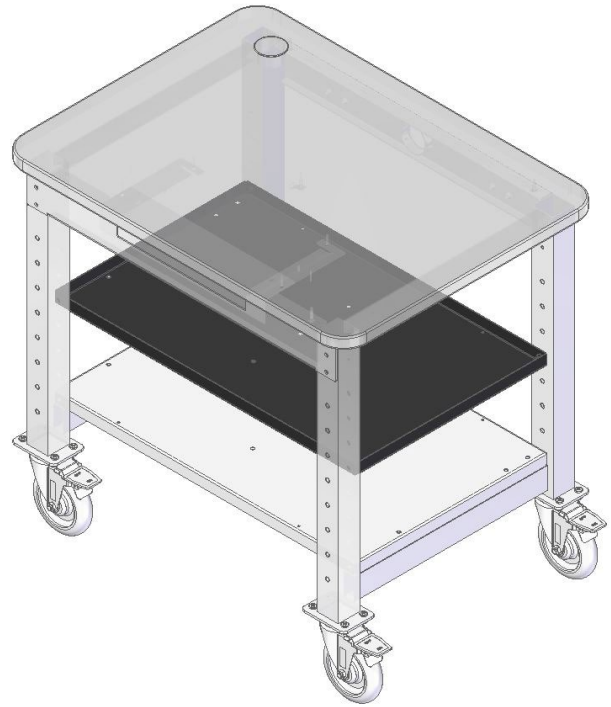
Thank you for purchasing Spectrum products!



(1) 0133982
Adjustable Shelf



(4) 0190564
1/4-20 x 2-1/2" PHMS



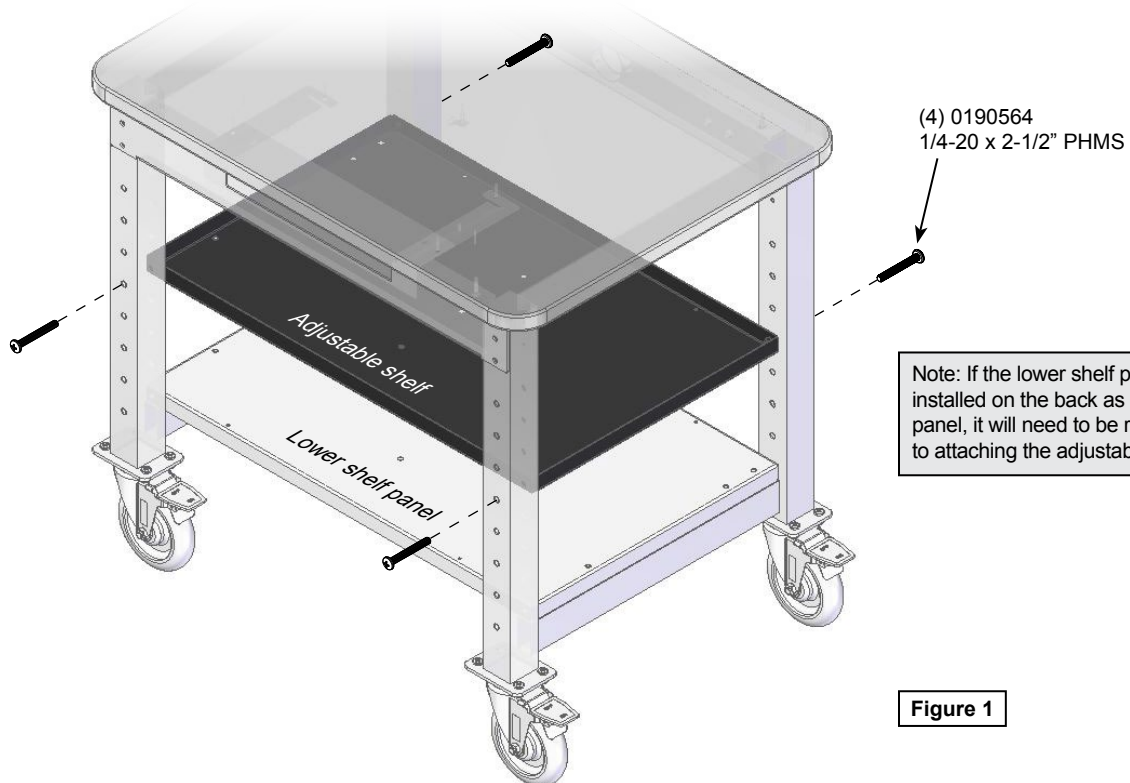
Adjustable Shelf for 3D2GO™ Printer Cart 37136

Installation

1. Align the adjustable shelf with (4) mounting holes at the desired height. **Figure 1.**
2. Secure the shelf with (4) 1/4-20 x 2-1/2" PHM screws and tighten securely.

Note: The adjustable shelf is not compatible with the 37135 Locking Cabinet.

Tools Required
 Phillips
Screwdriver



Note: If the lower shelf panel is installed on the back as a modesty panel, it will need to be removed prior to attaching the adjustable shelf.

Figure 1