

Assembly Instructions

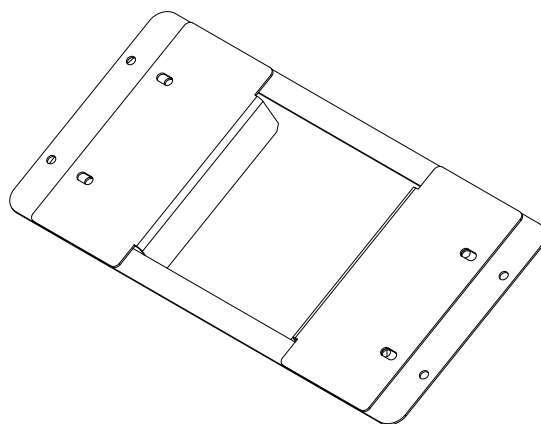
Important

Before you begin, read and comply with all safety and operating instructions, and ensure all parts and correct quantities are included.

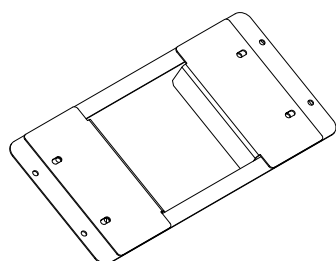
Any parts damaged during shipment must be reported within 5 days of receipt. To report information regarding missing parts or damage, to purchase parts or accessories, or if you have any questions, please contact us.

www.spectrumfurniture.com
800-235-1262, 715-723-6750

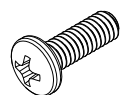
Thank you for purchasing Spectrum products!



Extron™ Adapter Kit 55239



(4) 037542
#8 x 5/8" PHSM



(4) 052901
8-32 x 3/8" PHMS

(1) 0104089
Adapter plate

(2) 0104090
Filler plate



(4) 021588
8-32 Keps nut

Tools
Required



Phillips
screwdriver



Electric
drill



1/8"
Drill bit



Pencil

1. Drill mounting holes

- Place the adapter plate over the overbridge cutout. **Figure 1.**
Note: It is important to center the plate horizontally and vertically over the cutout.
- Carefully mark the location of the four outer plate holes onto the overbridge panel.
Note: It may be helpful to tape the plate in place while marking the holes.
- Using a drill and 1/8" drill bit, carefully drill all the way through the panel at the marked hole locations.

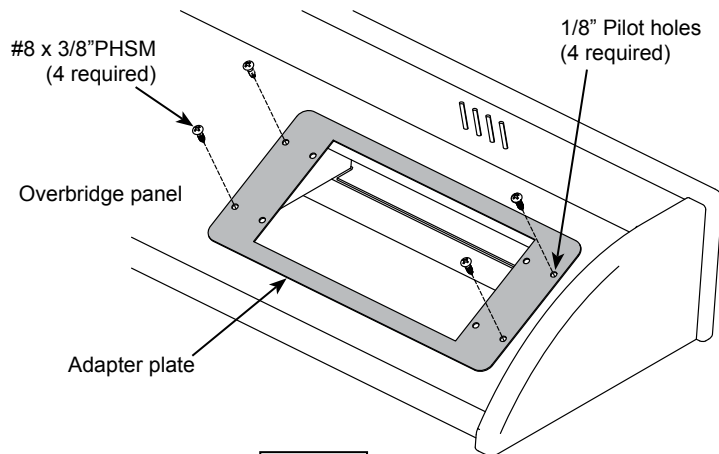


Figure 1

2. Install filler plates

- Determine which configuration you will be using (2, 3, or 4-gang) with your control equipment and attach the necessary filler plate(s) to the adapter plate with 8-32 x 3/8" PHM screws, and 8-32 Keps nuts as shown. (2 required per filler plate.) **Figure 2.**
- Attach the adapter plate to the overbridge with (4) #8 x 5/8" PHSM screws and tighten securely. **Figure 1.**
- Install the appropriate control equipment into the adapter and tighten fasteners securely.

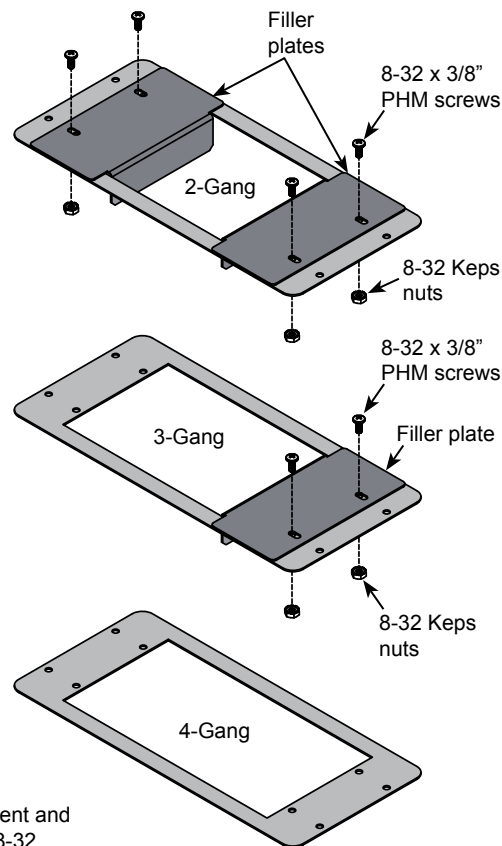


Figure 2