

Assembly Instructions

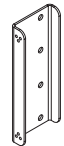
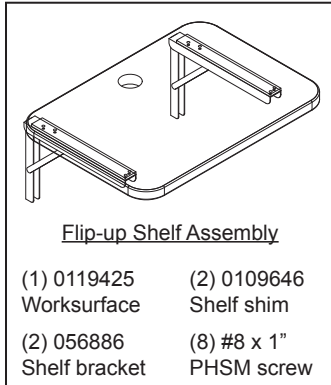
⚠ Important ⚠

Before you begin, read and comply with all safety and operating instructions, and ensure all parts and correct quantities are included.

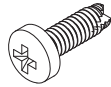
Any parts damaged during shipment must be reported within 5 days of receipt. To report information regarding missing parts or damage, to purchase parts or accessories, or if you have any questions, please contact us.

www.spectrumfurniture.com
800-235-1262, 715-723-6750

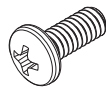
Thank you for purchasing Spectrum products!



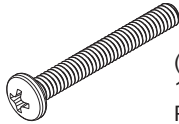
(2) 0135022 Channel bracket



(4) 0100167 8-32 x 1/2" PH Thread-cutting screw



(2) 026064 1/4-20 x 5/8" PHMS



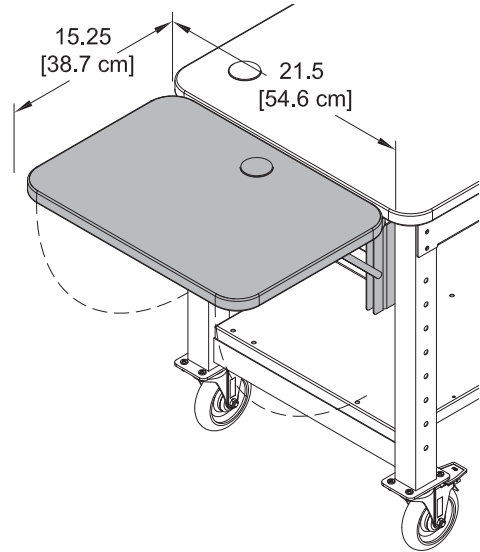
(2) 0190564 1/4-20 x 2-1/2" PHMS



(2) 0106543 1/4-20 Keps nut



(1) 039622 2" Grommet



Flip-up Shelf for 3D2GO™ Printer Cart 37137

Note: Only one flip-up shelf, or one handle will attach to each side-not both at the same time.



1. Installation

1. Determine the side of the unit the shelf will go on. (Left or right).
2. Align each channel bracket with the leg mounting holes. **Figure 1.** (The two sets of 3 smaller holes will face outward.)
3. Install (1) 1/4-20 x 5/8" PHM screw at the top of each bracket.
4. Install (1) 1/4-20 x 2-1/2" PHM screw and Keps nut on the bottom of each bracket.

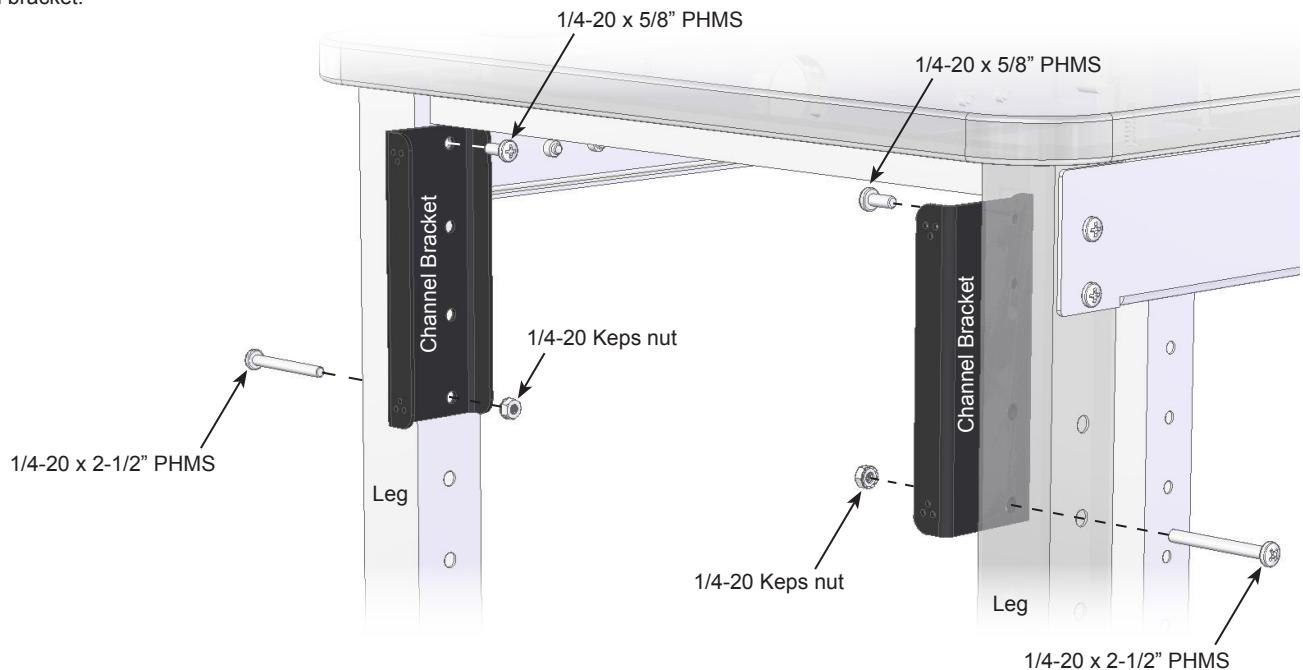


Figure 1

2. Attach Flip-up shelf assembly

1. Extend both shelf brackets fully.
2. Align the brackets with both sets of "tri-holes" as shown.
3. Attach the shelf with (4) 8-32 x 1/2" PH thread-cutting screws using the holes shown. **Figure 2.1** and **Figure 2.2**.
4. Tighten screws securely.
5. Install 2" grommet.

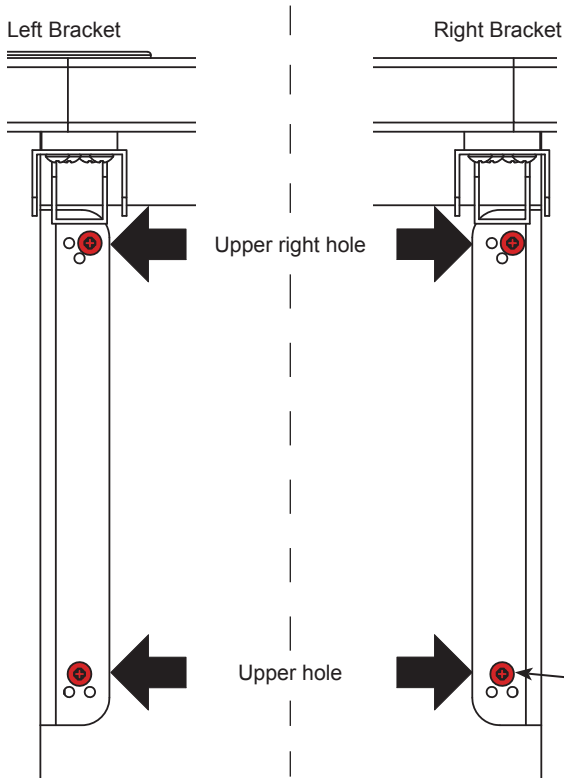


Figure 2.1

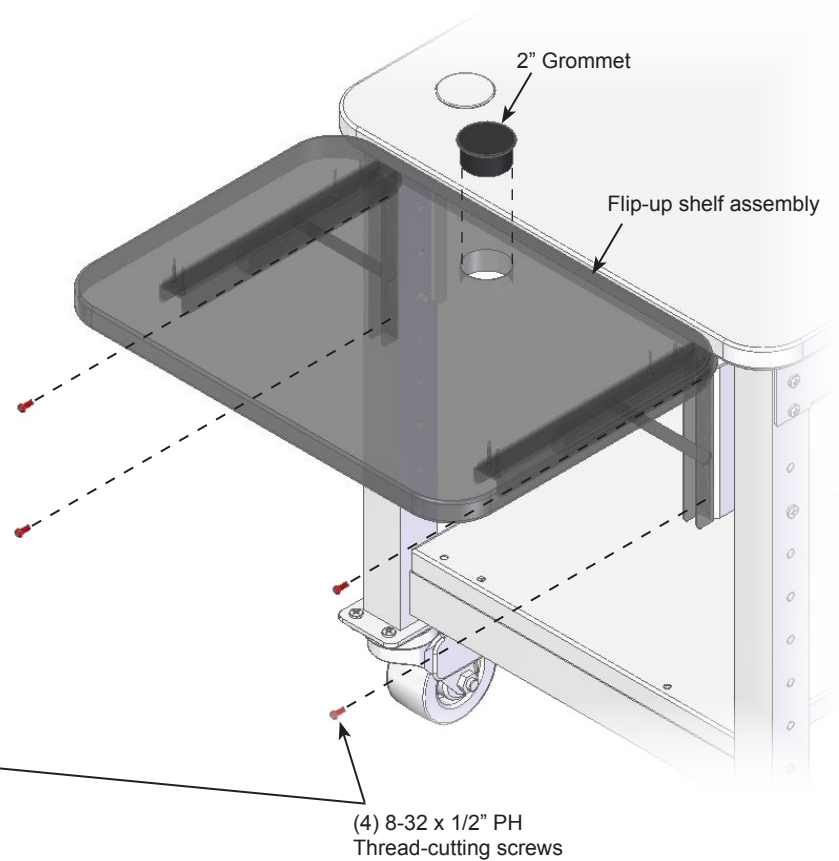


Figure 2.2

3. Operation

The shelf will automatically lock into place when lifted into the horizontal position with the levers released. **Figure 3**. To lower or flip-up the shelf, press and hold the levers under each folding shelf bracket at the same time while slowly lowering or raising the shelf. Do not exceed a maximum of 25 lb of weight on the shelf. Do not move the unit while the shelf is in the horizontal position.

Note: Wiring for document cameras or laptop computers placed on the flip-up shelf should be routed on top of the audience-side of the shelf. Use of the shelf grommet hole for wiring will result in pinching of the cords when the shelf is folded.



CAUTION

Keep clear of pinch points during shelf movement.
Do not exceed 25 lb [11.35 kg] of weight on shelf.

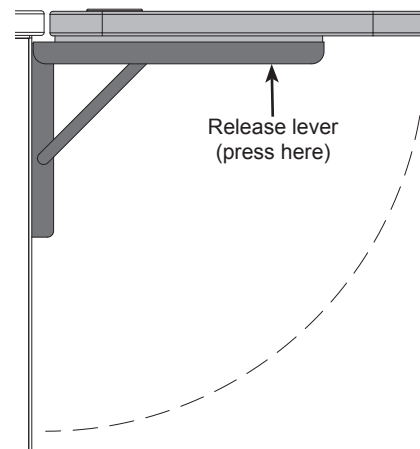


Figure 3