

Assembly Instructions

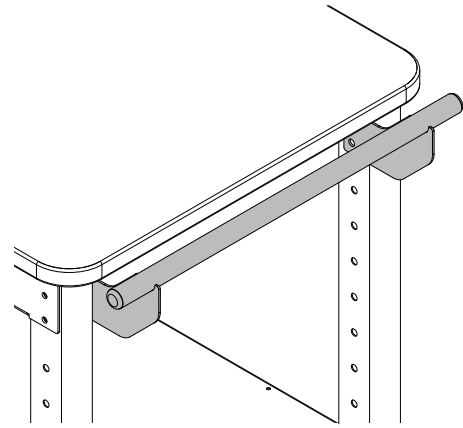
⚠ Important ⚠

Before you begin, read and comply with all safety and operating instructions, and ensure all parts and correct quantities are included.

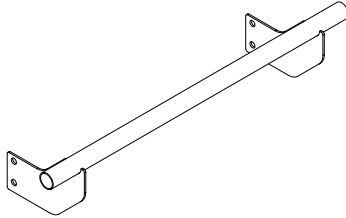
Any parts damaged during shipment must be reported within 5 days of receipt. To report information regarding missing parts or damage, to purchase parts or accessories, or if you have any questions, please contact us.

www.spectrumfurniture.com
800-235-1262, 715-723-6750

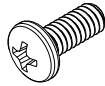
Thank you for purchasing Spectrum products!



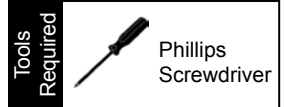
Handle for 3D2GO™ Printer Cart 37134



(1) 0119981
Handle



(4) 026064
1/4-20 x 5/8" PHMS



Installation

1. Align the (4) handle and cart mounting holes. **Figure 1.**
2. Secure the handle with (4) 1/4-20 x 5/8" PHM screws and tighten securely.

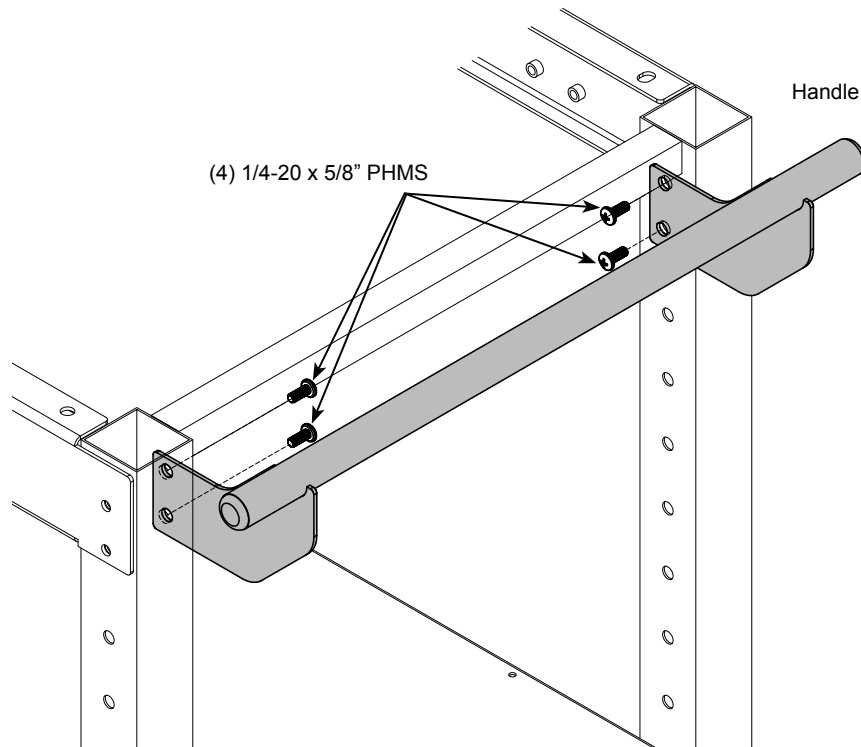


Figure 1