

# Assembly Instructions

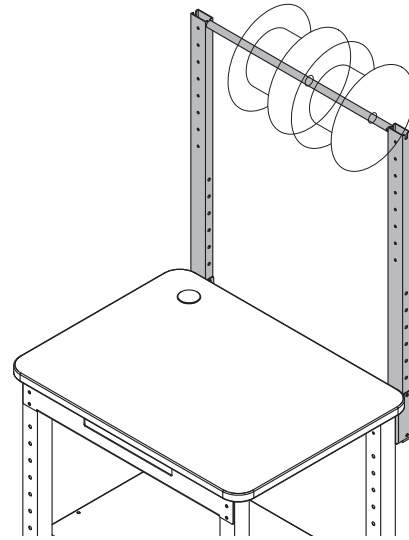
## ⚠ Important ⚠

Before you begin, read and comply with all safety and operating instructions, and ensure all parts and correct quantities are included.

Any parts damaged during shipment must be reported within 5 days of receipt. To report information regarding missing parts or damage, to purchase parts or accessories, or if you have any questions, please contact us.

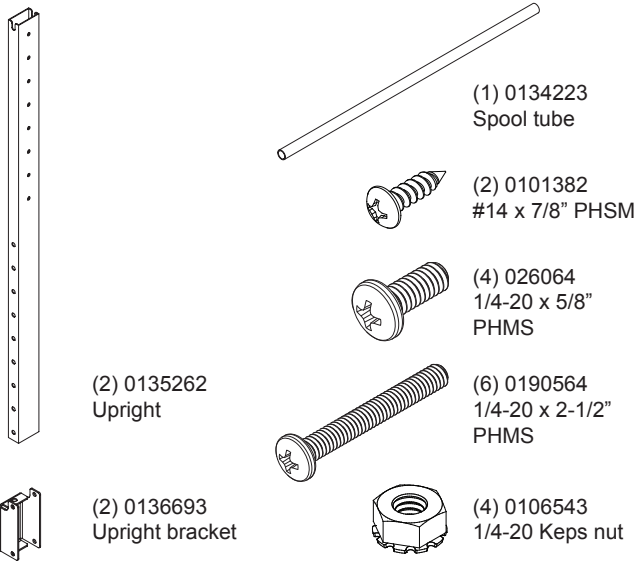
[www.spectrumfurniture.com](http://www.spectrumfurniture.com)  
800-235-1262, 715-723-6750

Thank you for purchasing Spectrum products!



## Upper Spool Rack for 3D2GO™ Printer Cart 37138

Note: The max capacity of the spool rack is 21 lb.



## Installation

1. Install each upright bracket to the back of the unit as shown with (2) 1/4-20 x 5/8" PHM screws. **Figure 1.** If existing screws have already been installed into the legs here-please remove.
2. Install (1) #14 x 7/8" PHSM screw through each bracket into the worksurface.
3. Tighten screws securely.
4. Install each upright at the desired height with (2) 1/4-20 x 2-1/2" PHMS and (2) 1/4-20 Keps nuts. **Figure 2.**
5. Install a 1/4-20 x 2-1/2" PHM screw into each end of the spool tube.
6. Slide filament spools onto tube, then set tube into upright slots.

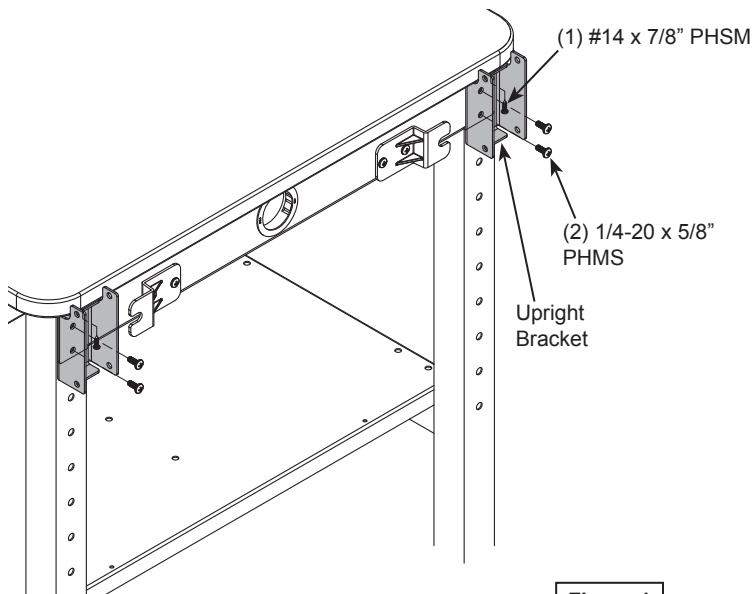


Figure 1

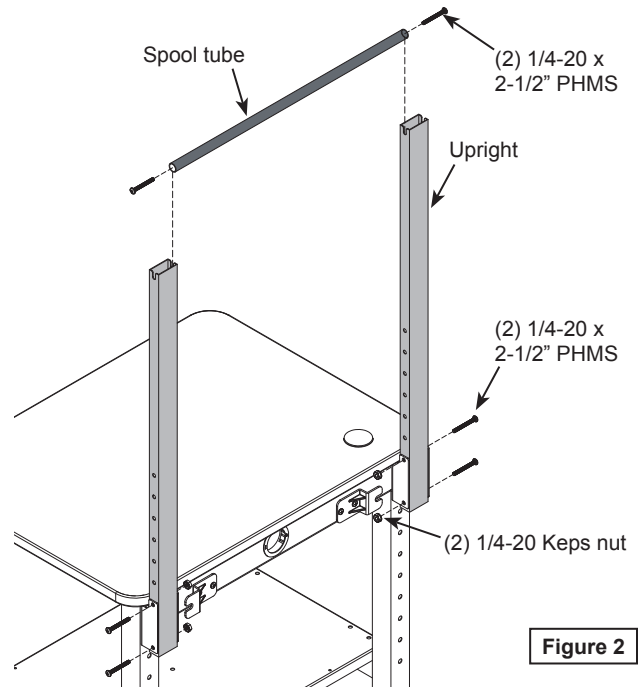


Figure 2