

Assembly Instructions

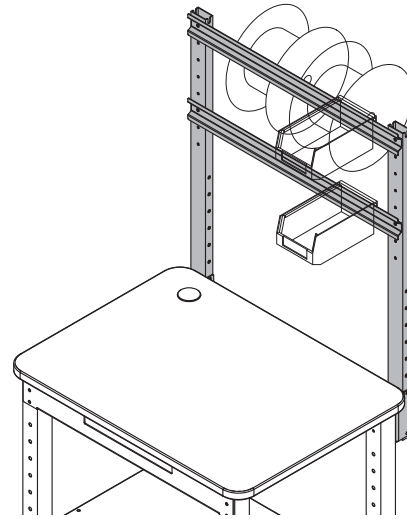
⚠ Important ⚠

Before you begin, read and comply with all safety and operating instructions, and ensure all parts and correct quantities are included.

Any parts damaged during shipment must be reported within 5 days of receipt. To report information regarding missing parts or damage, to purchase parts or accessories, or if you have any questions, please contact us.

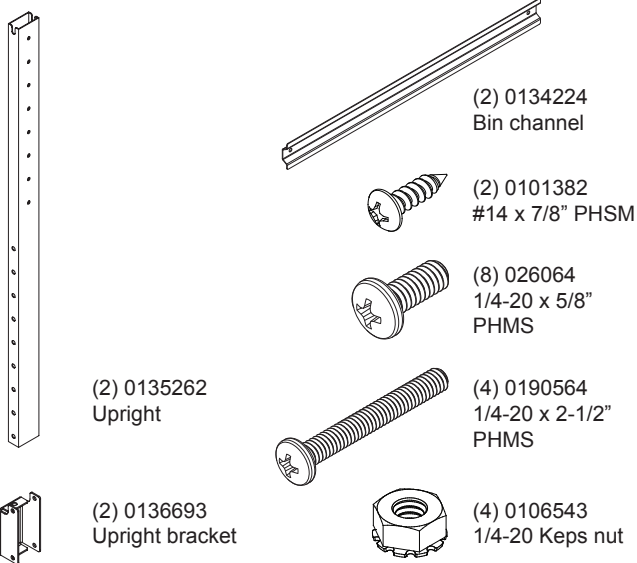
www.spectrumfurniture.com
800-235-1262, 715-723-6750

Thank you for purchasing Spectrum products!



Upper Bin Rack for 3D2GO™ Printer Cart 37139

Note: The max capacity of the bin rack is 21 lb. Bins not included.



Installation

1. Install each upright bracket to the back of the unit as shown with (2) 1/4-20 x 5/8" PHM screws. **Figure 1.** If existing screws have already been installed into the legs here-please remove.
2. Install (1) #14 x 7/8" PHSM screw through each bracket into the worksurface.
3. Tighten screws securely.
4. Install each upright at the desired height with (2) 1/4-20 x 2-1/2" PHMS and (2) 1/4-20 Keps nuts. **Figure 2.**
5. Attach each bin channel at the desired height with (2) 1/4-5/8" PHM screws.

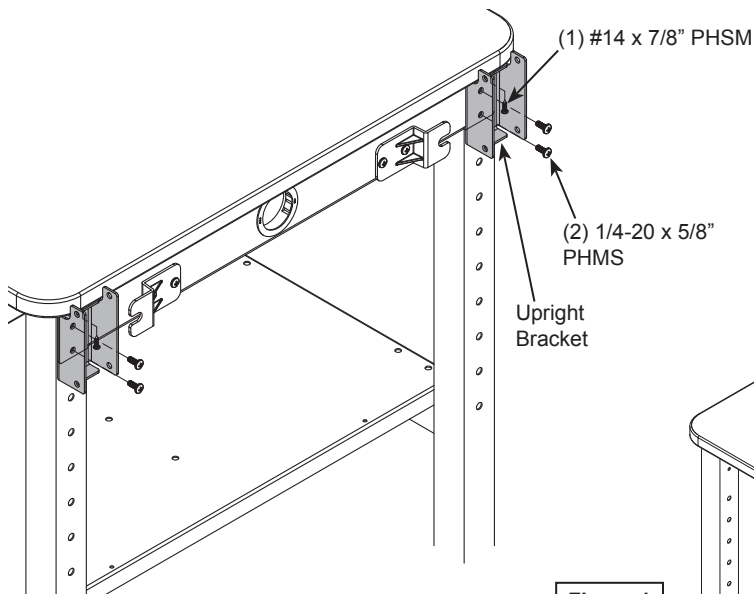


Figure 1

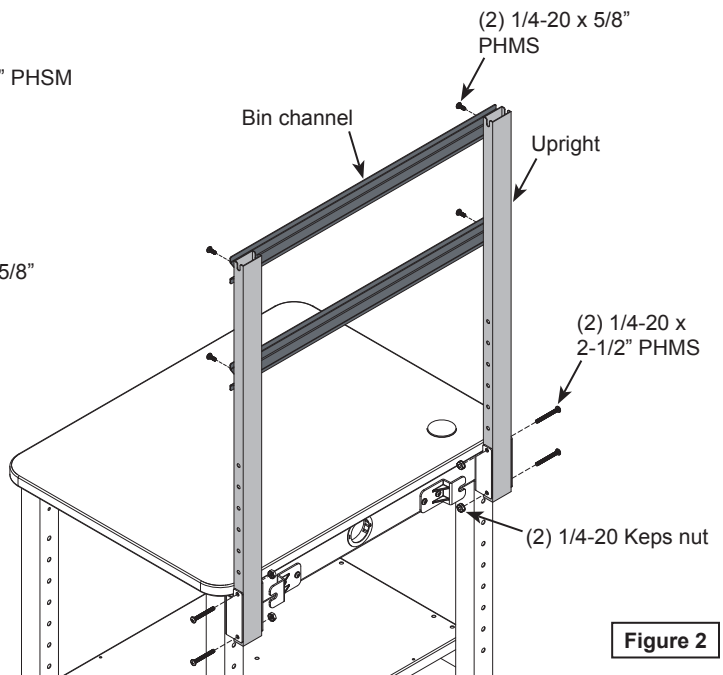


Figure 2