

Assembly Instructions

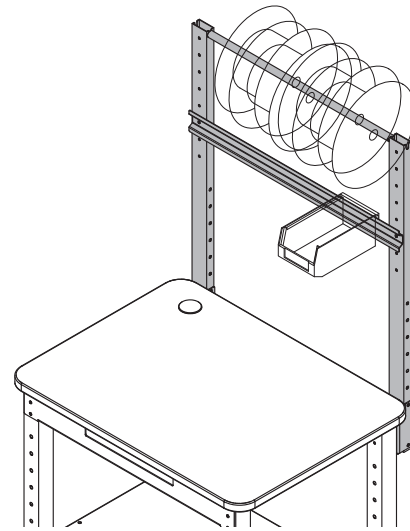
⚠ Important ⚠

Before you begin, read and comply with all safety and operating instructions, and ensure all parts and correct quantities are included.

Any parts damaged during shipment must be reported within 5 days of receipt. To report information regarding missing parts or damage, to purchase parts or accessories, or if you have any questions, please contact us.

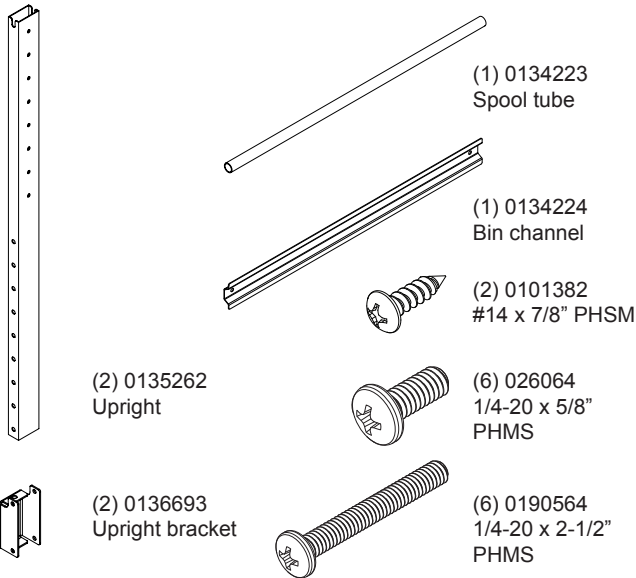
www.spectrumfurniture.com
800-235-1262, 715-723-6750

Thank you for purchasing Spectrum products!



Upper Spool / Bin Rack for 3D2GO™ Printer Cart 37140

Note: The max capacity of the rack is 21 lb. Bins not included.



Installation

1. Install each upright bracket to the back of the unit as shown with (2) 1/4-20 x 5/8" PHM screws. **Figure 1.** If existing screws have already been installed into the legs here-please remove.
2. Install (1) #14 x 7/8" PHSM screw through each bracket into the worksurface.
3. Tighten screws securely.
4. Install each upright at the desired height with (2) 1/4-20 x 2-1/2" PHMS and (2) 1/4-20 Keps nuts. **Figure 2.**
5. Install a 1/4-20 x 2-1/2" PHM screw into each end of the spool tube.
6. Slide filament spools onto tube, then set tube into upright slots.
7. Attach the bin channel at the desired height with (2) 1/4-5/8" PHM screws.

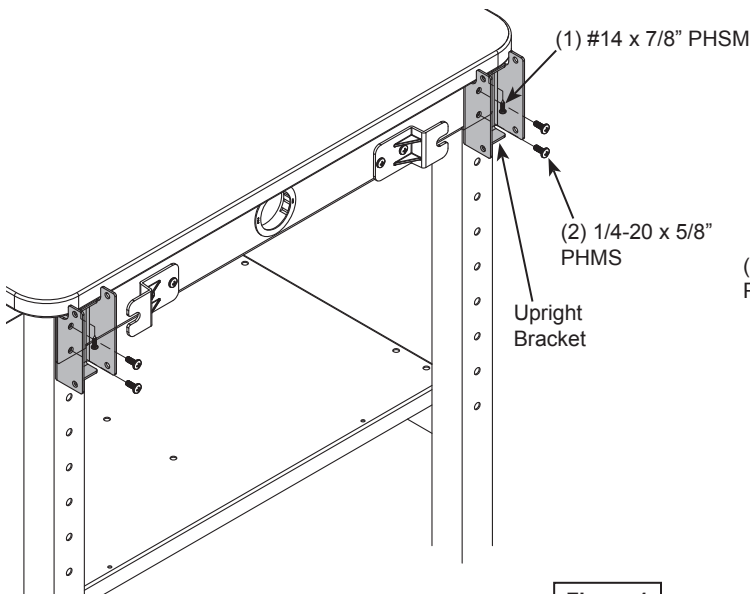


Figure 1

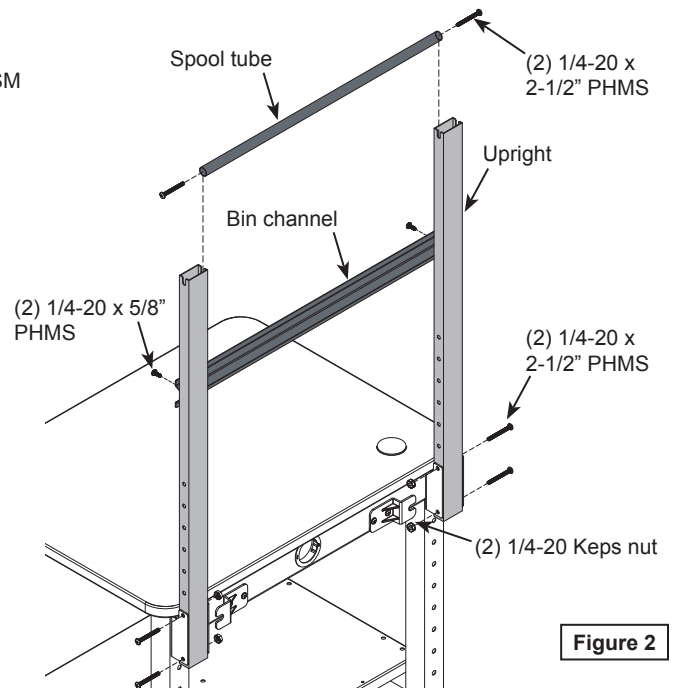


Figure 2