

Assembly Instructions

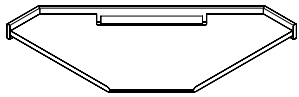
⚠ Important ⚠

Before you begin, read and comply with all safety and operating instructions, and ensure all parts and correct quantities are included.

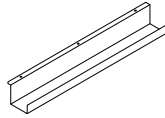
Any parts damaged during shipment must be reported within 5 days of receipt. To report information regarding missing parts or damage, to purchase parts or accessories, or if you have any questions, please contact us.

www.spectrumfurniture.com
800-235-1262, 715-723-6750

Thank you for purchasing Spectrum products!



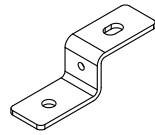
(1) 057938
Worksurface assembly



(1) 044234
Cord channel



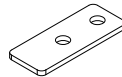
(10) 026064
1/4-20 x 5/8" PHMS



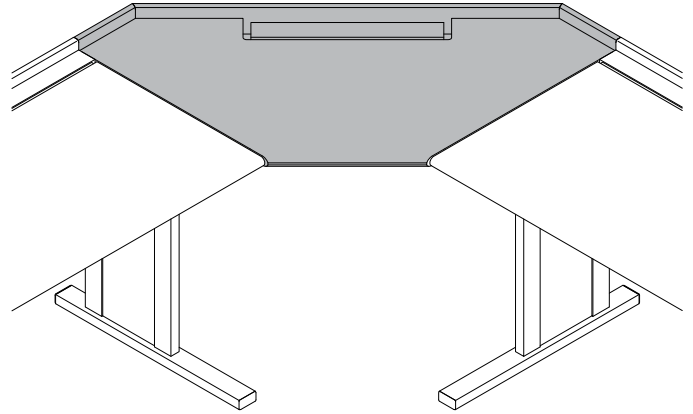
(4) 0102049
Z-bracket



(4) 050524
#8 x 3/4" PH TEK screw



(2) 036207
Flip-top support bracket



Evolution Corner Connector (24"D) 38917

Tools
Required



Phillips
screwdriver

or



Drill with
Phillips driver

1. Attach Brackets & Cord Channel

1. Place the worksurface assembly face-down onto a non-abrasive surface.
2. Attach the two Flip-top support brackets and Cord Channel with 1/4-20 x 5/8" PHM screws as shown in **Figure 1**.

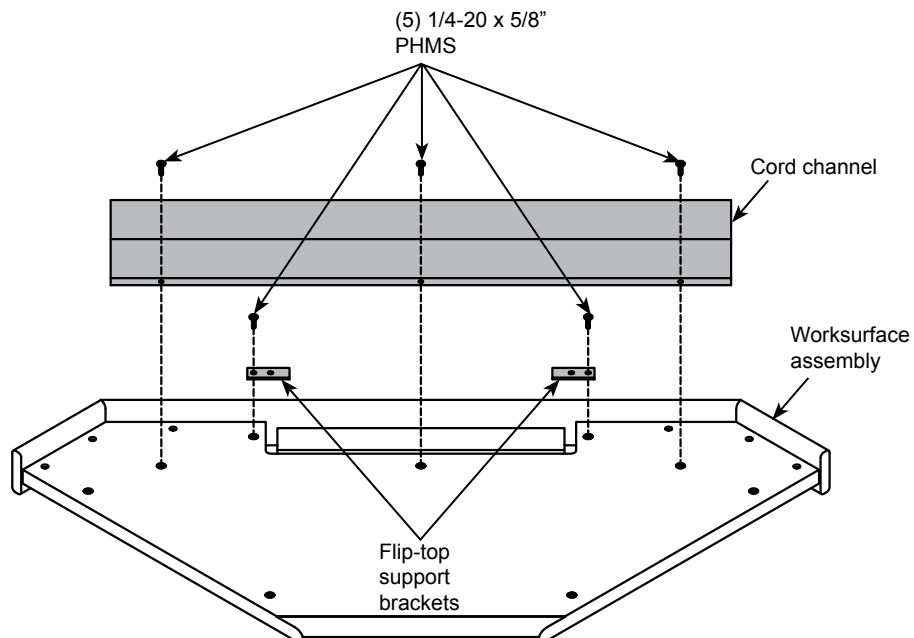


Figure 1

2. Attach Brackets to Desks

1. Remove the existing front 1/4-20 x 1-3/4" PHM screw that attach the leg to the worksurface.
2. Position Z-brackets as shown in **Figure 2**. (The elongated hole in the Z-bracket will attach to the corner connector.) Attach the rear Z-bracket to the leg using a 1/4-20 x 5/8" PHM screw as shown in **Figure 2**, attach the front Z-bracket with the existing 1/4-20 x 1-3/4" PHM screw. Tighten completely.
3. Install a #8 x 3/4" Tek screw through each Z-bracket using an electric drill with a phillips head driver.
Note: This is a self-drilling screw-no pilot hole is required. If your drill has a torque setting, set it to medium and tighten the screw securely, but be careful not to strip-out the hole while tightening the screw.
4. Repeat this procedure for the opposite side.

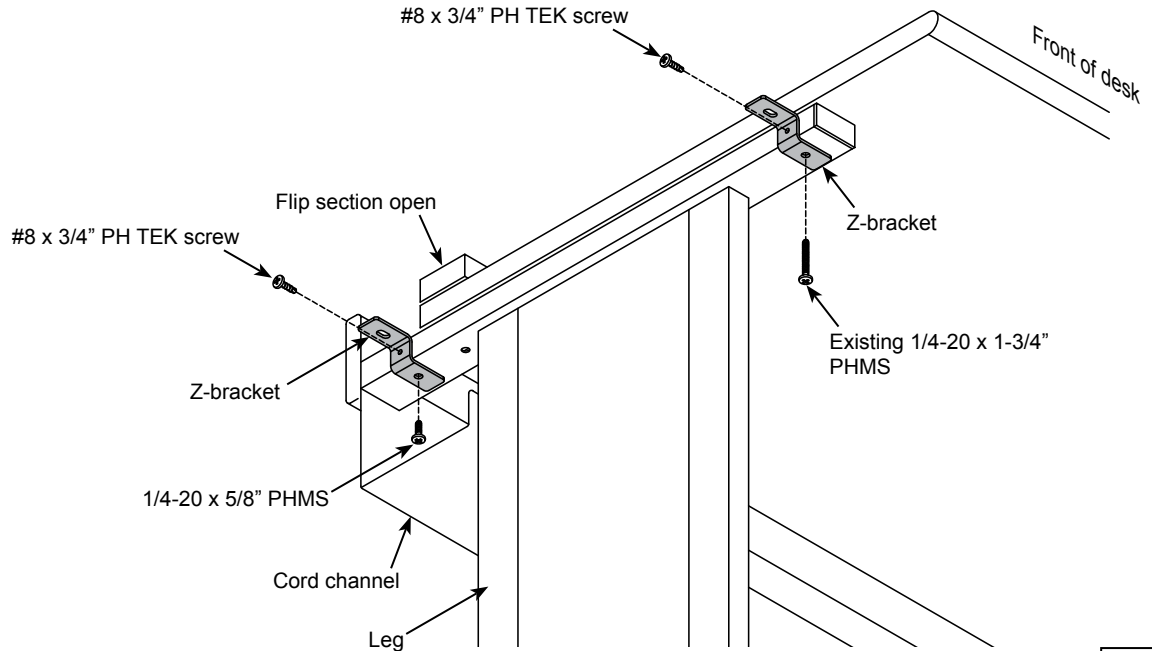


Figure 2

3. Attach Corner Connector to Desks

1. Align both desks 90° to each other leaving about 14" between the corners as shown in **Figure 3**.
2. Place the Corner Connector onto the Z-brackets and align the mounting holes.
3. Attach with (4) 1/4-20 x 5/8" PHM screws, but do not tighten completely-after the screws are started, alignment of the desks may be necessary.
4. After alignment is satisfactory, tighten all screws.

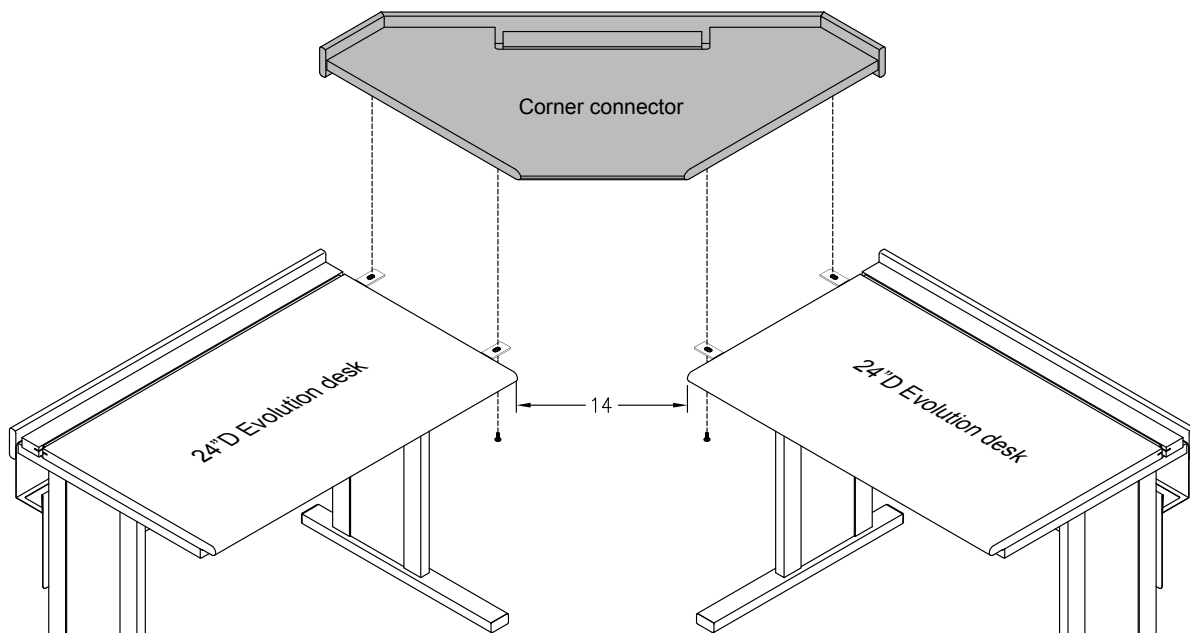


Figure 3