

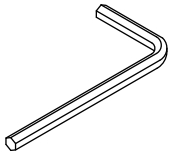
# Assembly Instructions

## Important

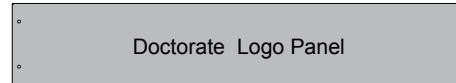
Before you begin, please make sure all parts and proper quantities are included. Any parts damaged during shipment must be reported within 15 days of receipt. To report information regarding damage, to purchase parts or accessories, or if you have any questions, please contact us at:

**www.spectrumfurniture.com**  
715-723-6750, 800-235-1262

*Thank you for purchasing Spectrum products!*



(1) 025039  
4mm hex wrench



## Logo Panel

55241 - Media Manager V2  
55252 - Masters

55261 - Media Director V2  
55248 - Doctorate

## Media Manager / Director installation

1. Remove the JC bolts from the audience side of the lectern with a 4mm hex wrench.
2. Remove the existing metal panel. This will no longer be needed.
3. Align and attach the new logo panel to the lectern with the removed JC bolts. **Figure 1.**

Tools  
Required



4mm hex  
wrench  
(included)

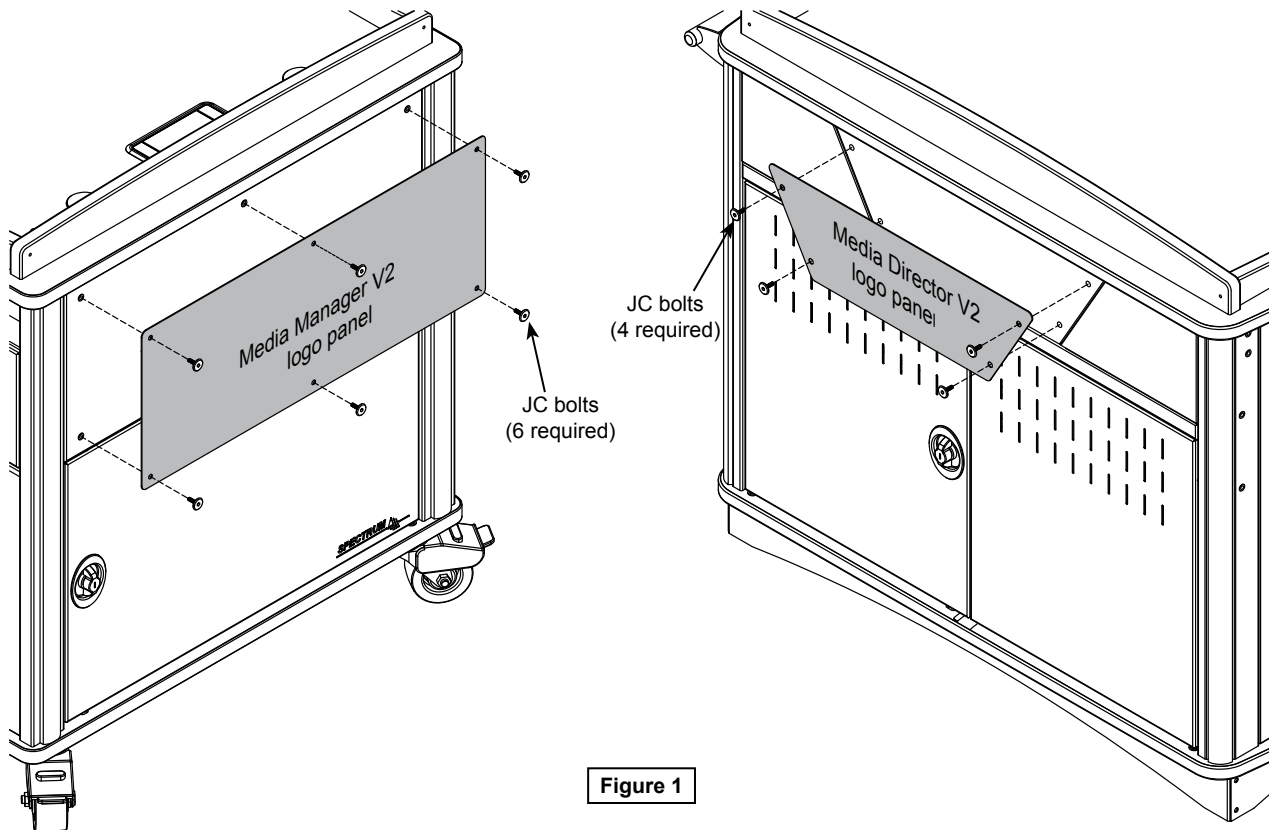


Figure 1

## Masters / Doctorate installation

Tools  
Required



4mm hex  
wrench  
(included)

1. Remove the JC bolts from the audience side of the lectern with a 4mm hex wrench.
2. Remove the existing laminate panel. This will no longer be needed.
3. Align and attach the new logo panel to the lectern with the removed JC bolts. **Figure 2.**

