

Assembly Instructions

⚠ Important ⚠

Before you begin, read and comply with all safety and operating instructions, and ensure all parts and correct quantities are included.

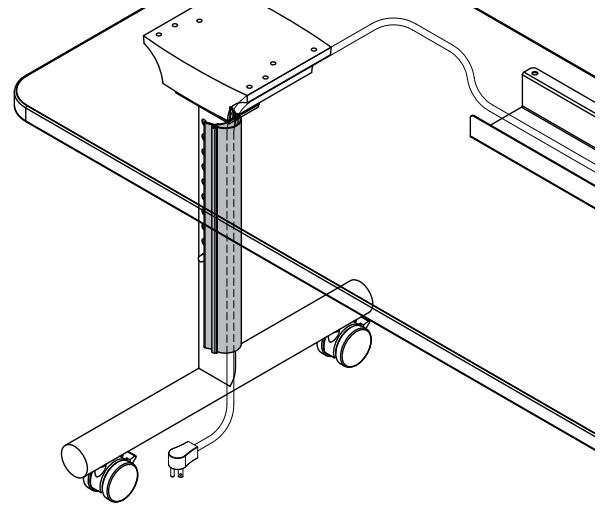
Any parts damaged during shipment must be reported within 5 days of receipt. To report information regarding missing parts or damage, to purchase parts or accessories, or if you have any questions, please contact us.

www.spectrumfurniture.com
800-235-1262, 715-723-6750

Thank you for purchasing Spectrum products!



(1) 0130711
Leg Channel



Leg Channel for Flex Flip Tables 37318

Installation

1. Determine which leg the channel will be attached (left or right). The leg should be free from dirt, dust, grease and moisture to maximize tape adhesion.
2. Place the leg channel along the inside of one of the legs using the adjustments holes as guides. **Figure 1A-B**. The channel can be attached next to the buttons, but the buttons need to operate freely. Do not install over the buttons or adjustment holes.
3. Remove the two tape backers and apply pressure to the channel along the entire length to secure.
4. Route cords through the leg channel and down to the floor. **Figure 1C**.

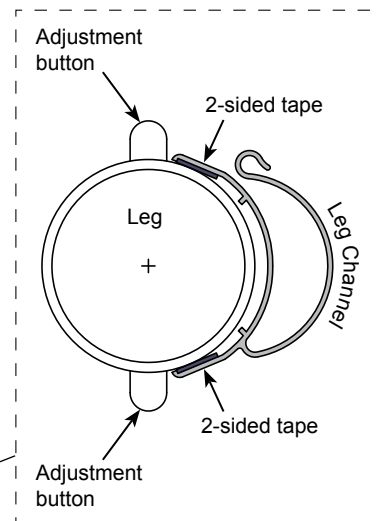


Figure 1B

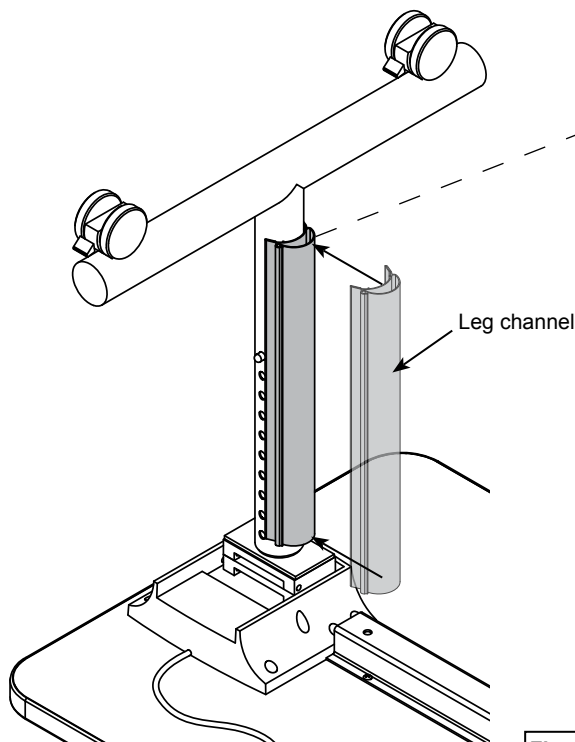


Figure 1A

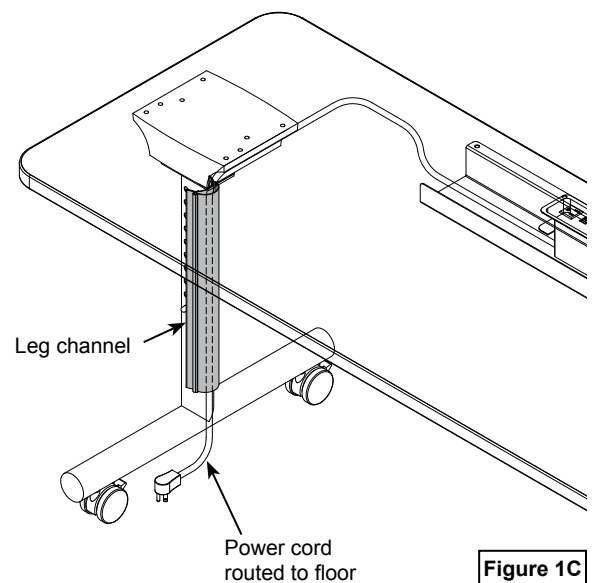


Figure 1C