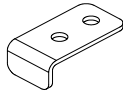


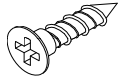
Assembly Instructions:



(4) 052605
1/4-20 x 15mm JC Bolt



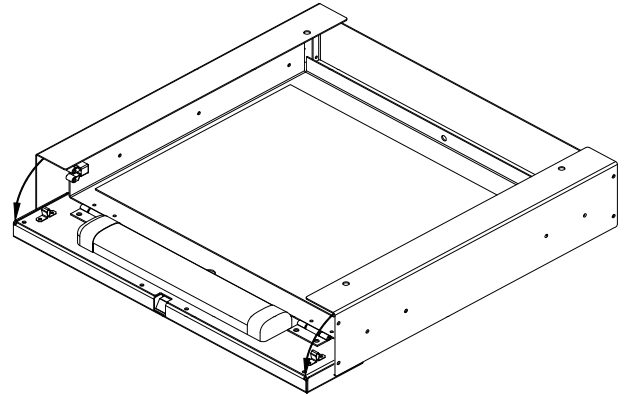
(1) 0101754
Lock Catch Plate



(2) 035950
#8 x 3/4" Hi-Lo Screw



(1) 025039
4mm Hex Wrench



Before you begin, please make sure all parts and proper quantities are included. Any parts damaged during shipment must be reported within 15 days of receipt. To report information regarding damages or if you have any questions, please call 1-800-235-1262.

Media Director V2 Drawer #55264

Tools Required:
Hex wrench (included)
Phillips Screwdriver

1. Remove Drawer from Slides

A. Disassemble the Outer Slides from the Inner Slides by locating and depressing the black, plastic levers while pulling the Drawer and Slides apart. **Figure 1.**

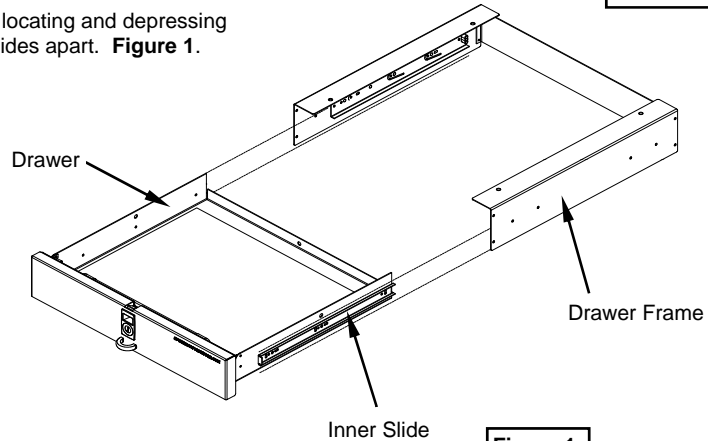


Figure 1

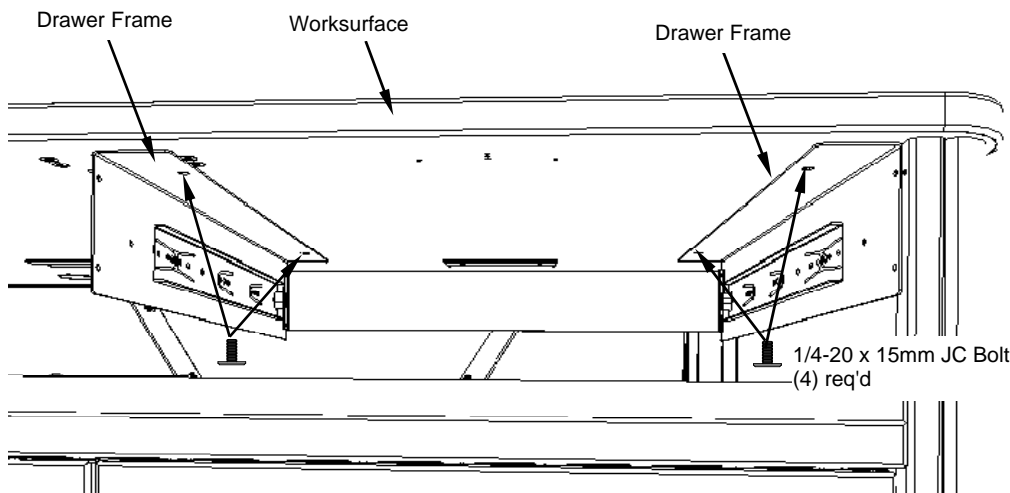


Figure 2

2. Attach Drawer Frame to Lectern

A. Determine the preferred location on the Lectern for the Drawer (left or right-side.) **Figure 2** shows a right-side installation.
B. Attach the Drawer Frame to the underside of the worksurface using (4) 1/4-20 x 15mm JC Bolts and the threaded worksurface inserts. Tighten securely. **Figure 2.**

3. Attach Lock Catch Plate to Worksurface

- A. Locate the two pre-drilled holes under the worksurface.
- B. Attach the Lock Catch Plate using (2) #8 Hi-Lo Screws as shown in **Figure 3**. Tighten securely.

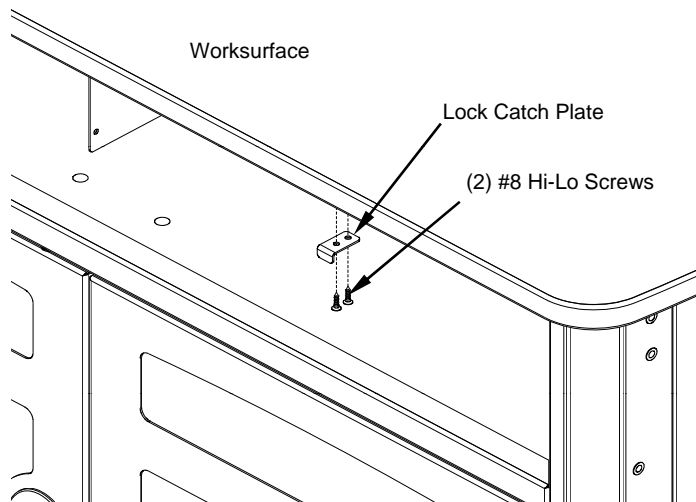


Figure 3

4. Slide-in Drawer

- A. Align Drawer slides and insert drawer as shown in **Figure 4**.
- B. Slide Drawer in completely to fully-engage slides.

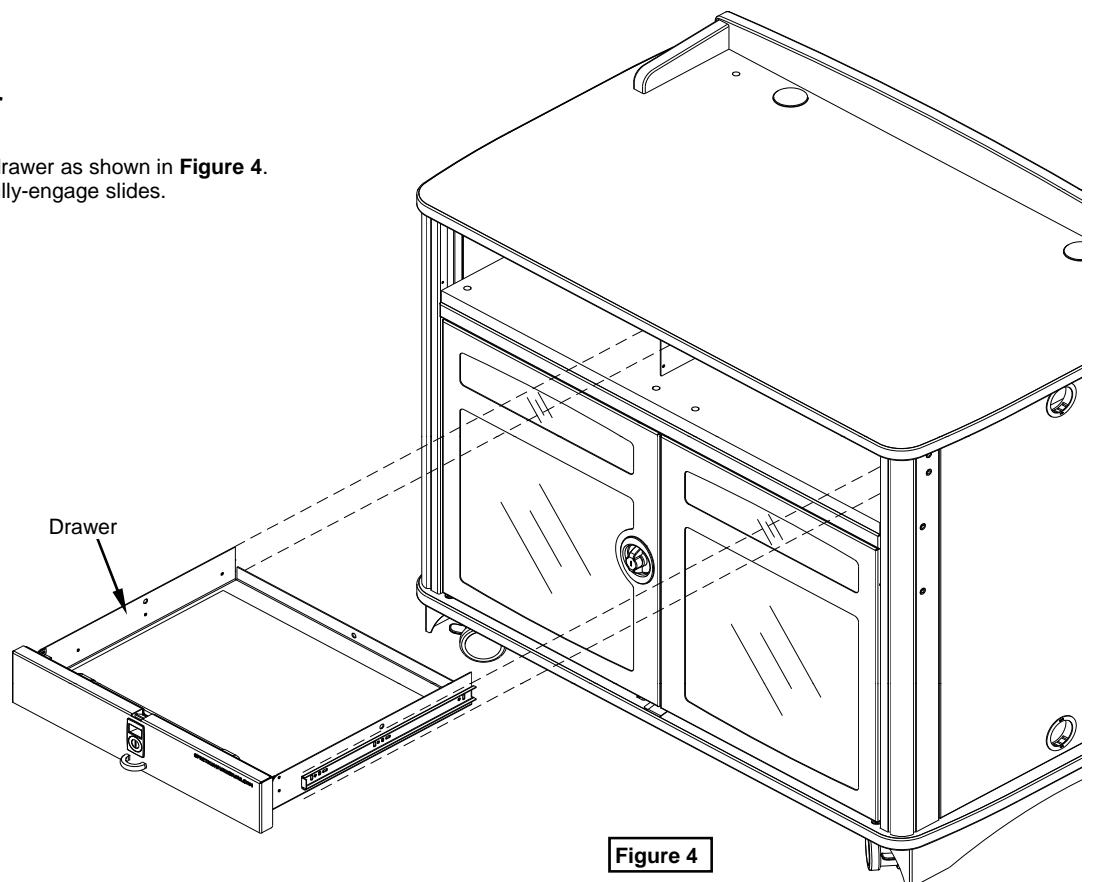


Figure 4