

Assembly Instructions

⚠ Important ⚠

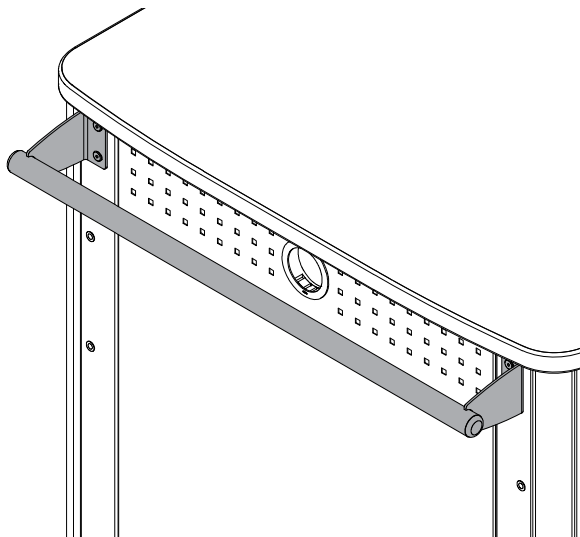
Before you begin, read and comply with all safety and operating instructions, and ensure all parts and correct quantities are included.

Any parts damaged during shipment must be reported within 5 days of receipt. To report information regarding missing parts or damage, to purchase parts or accessories, or if you have any questions, please contact us.

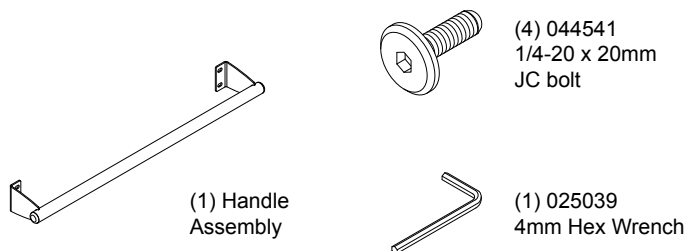
www.spectrumfurniture.com

800-235-1262, 715-723-6750

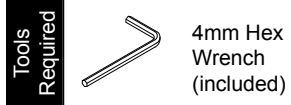
Thank you for purchasing Spectrum products!



Steel Handle 55265



Handle Assembly



1. Determine which side of the unit the handle is to be mounted and locate the four mounting holes.
2. Attach the handle with (4) 1/4-20 x 20mm JC bolts as shown and tighten securely. **Figure 1.**

Note: On some units with flip-up shelves, the handle can be mounted on the same side as the flip-up shelf, but the shelf may need to be repositioned (lowered) to accommodate the handle. **Figure 2.**

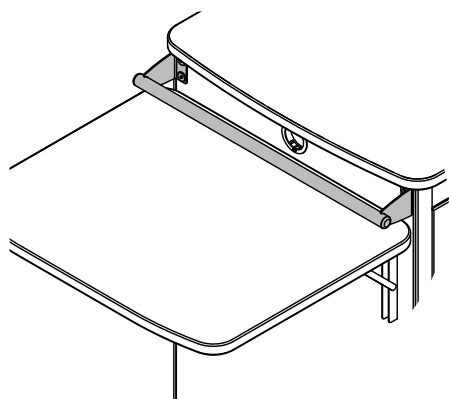


Figure 2

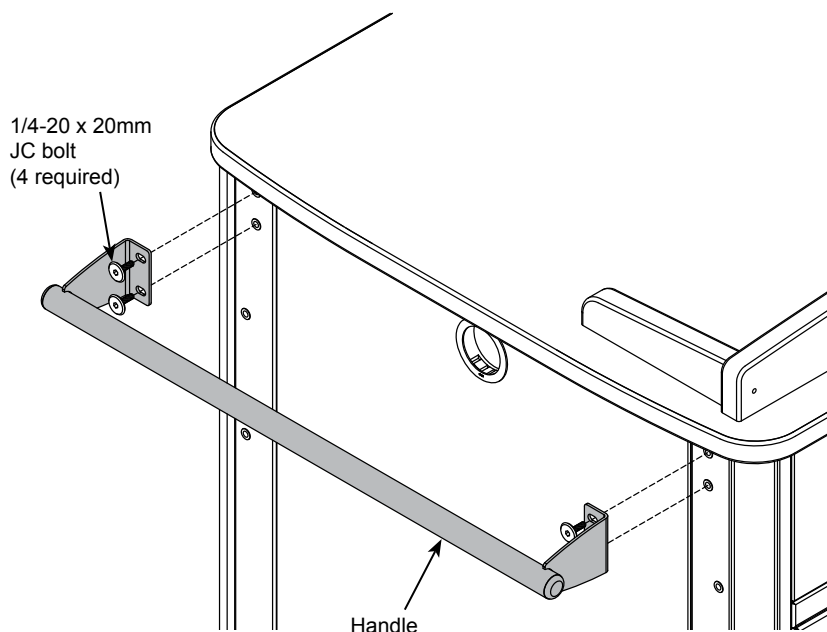


Figure 1