

# Assembly Instructions

## ⚠ Important ⚠

Before you begin, read and comply with all safety and operating instructions, and ensure all parts and correct quantities are included.

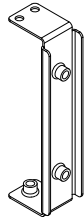
Any parts damaged during shipment must be reported within 5 days of receipt. To report information regarding missing parts or damage, to purchase parts or accessories, or if you have any questions, please contact us.

[www.spectrumfurniture.com](http://www.spectrumfurniture.com)  
800-235-1262, 715-723-6750

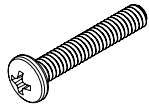
Thank you for purchasing Spectrum products!



(2) 056947  
5.25" Rack Rail  
(3RU)



(2) 0103319  
Rack rail mount



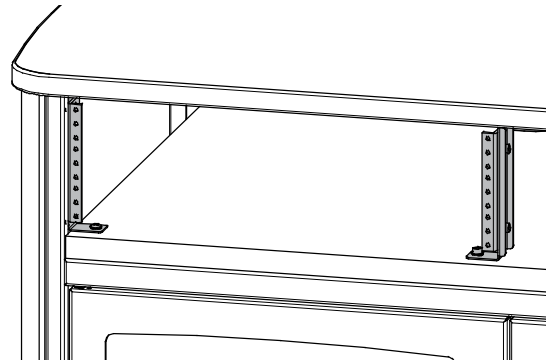
(2) 026547  
1/4-20 x 1-1/2" PHMS



(4) 026064  
1/4-20 x 5/8"  
PHMS



(4) 054781  
10-24 x 1/2"  
PHMS



## Upper Rack Rail Kit (3RU) for Media Director V2 55266

### 1. Attach rack rail mounts

1. Determine which side of the lectern you want the rack rail to be installed (left or right-side). **Figure 1** shows a left-side installation.
2. Remove any worksurface hole plugs at the rack rail location.
3. Attach the rack rail mounts between the top and mid worksurfaces with the fasteners shown. **Figure 1**.

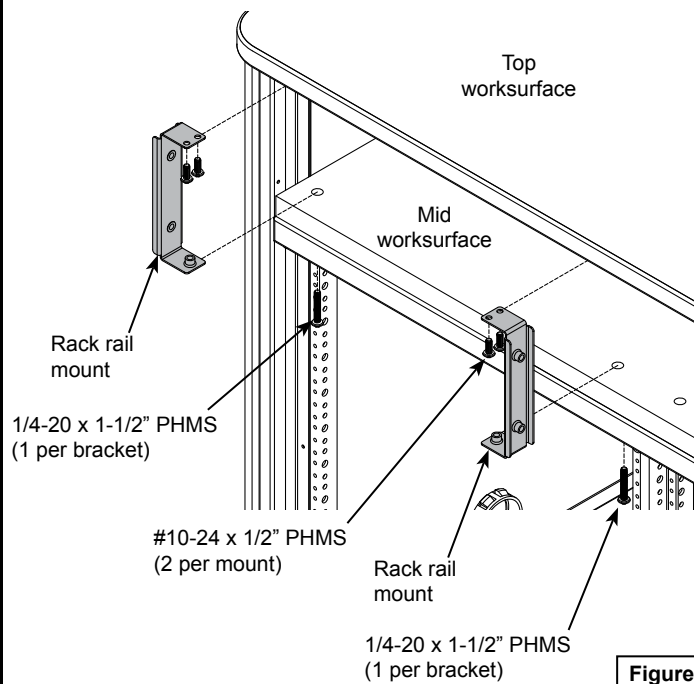
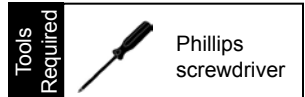


Figure 1

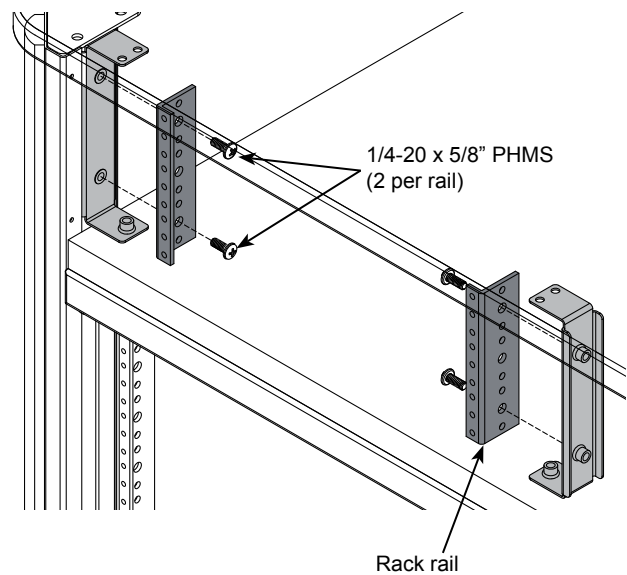


Figure 2

### 2. Attach rack rails

1. Attach each rack rail to the rack rail mounts with (2) 1/4-20 x 5/8" PHMS. **Figure 2**.