

Assembly Instructions

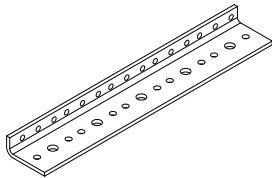
⚠ Important ⚠

Before you begin, read and comply with all safety and operating instructions, and ensure all parts and correct quantities are included.

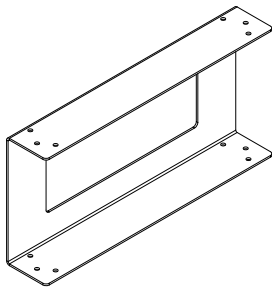
Any parts damaged during shipment must be reported within 5 days of receipt. To report information regarding missing parts or damage, to purchase parts or accessories, or if you have any questions, please contact us.

www.spectrumfurniture.com
800-235-1262, 715-723-6750

Thank you for purchasing Spectrum products!



(2) 0147021
Rack rail 9"



(2) 0147141
Bracket support



(8) 0190174
#8 x 3/8" PHSM
screw

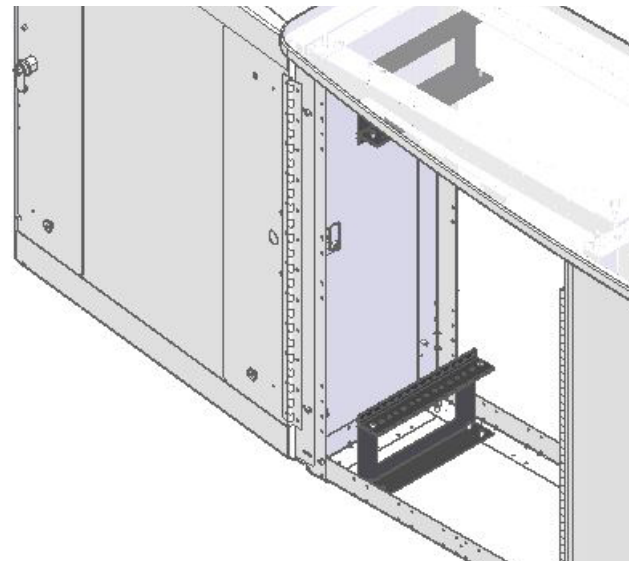


(4) 0100167
8-32 x 1/2" PH thread
cutting screws

Assembly

1. Attach upper and lower bracket supports to the credenza frame with (4) #8 x 3/8" PHSM screws each. **Figure 1.**
2. Attach each rail to a bracket with (2) 8-32 x 1/2" PH thread-cutting screws.

8-32 x 1/2" PH
thread-cutting screws
(2 per rack rail)



3RU Fixed Rack for AV Credenza Slim 55516

Tools
Required



Phillips
screwdriver

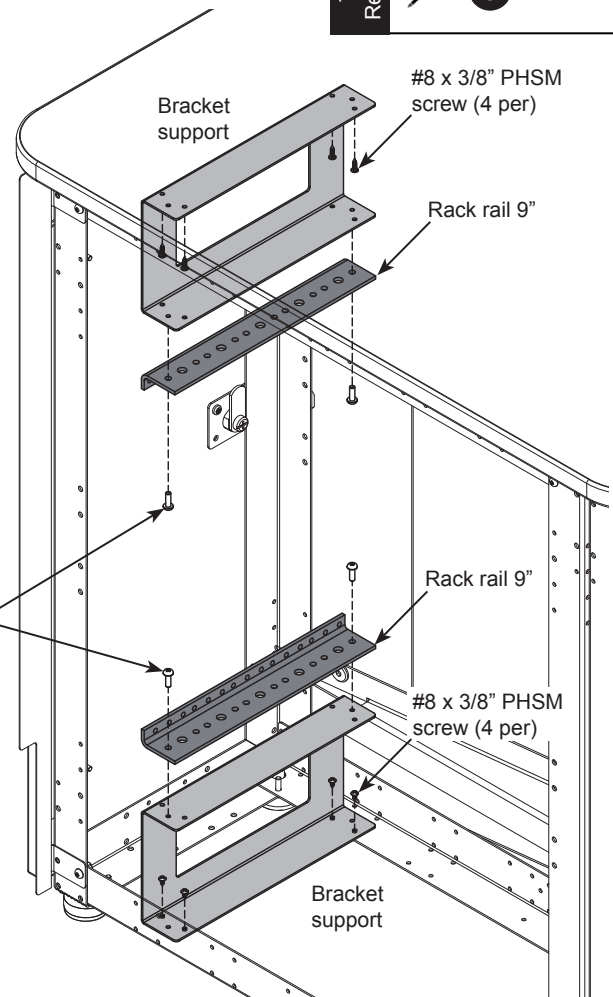


Figure 1