

Assembly Instructions

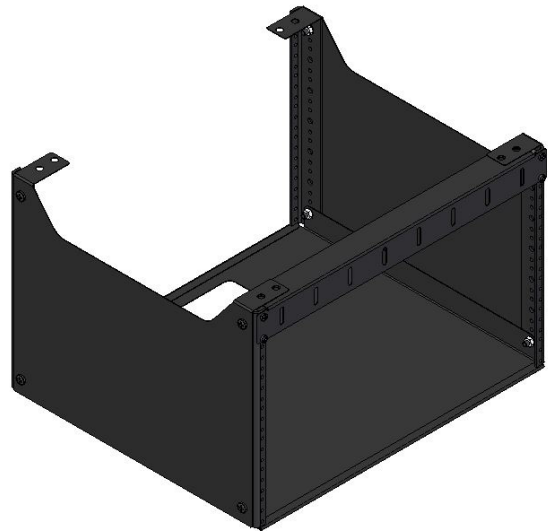
⚠ Important ⚠

Before you begin, read and comply with all safety and operating instructions, and ensure all parts and correct quantities are included.

Any parts damaged during shipment must be reported within 5 days of receipt. To report information regarding missing parts or damage, to purchase parts or accessories, or if you have any questions, please contact us.

www.spectrumfurniture.com
800-235-1262, 715-723-6750

Thank you for purchasing Spectrum products!

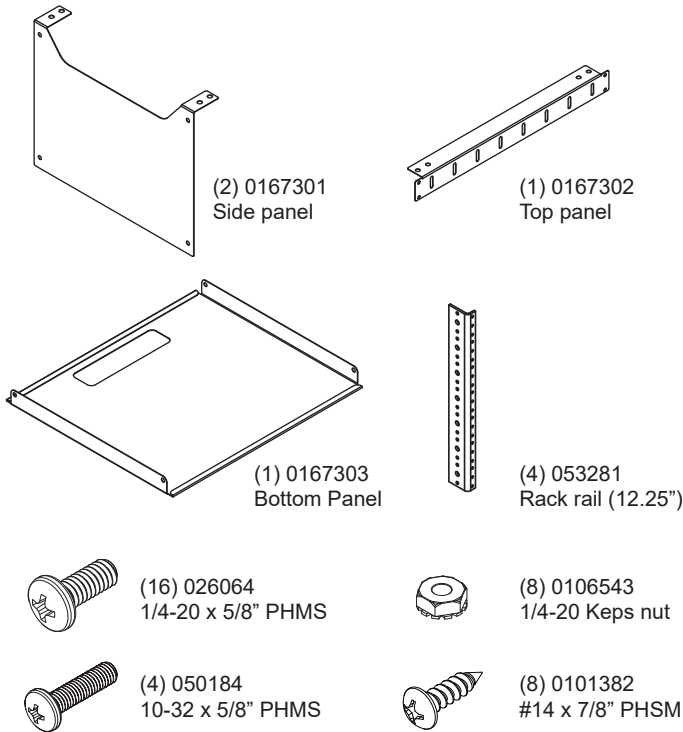


Undermount Rack Cabinet for Pivot Premier 95036

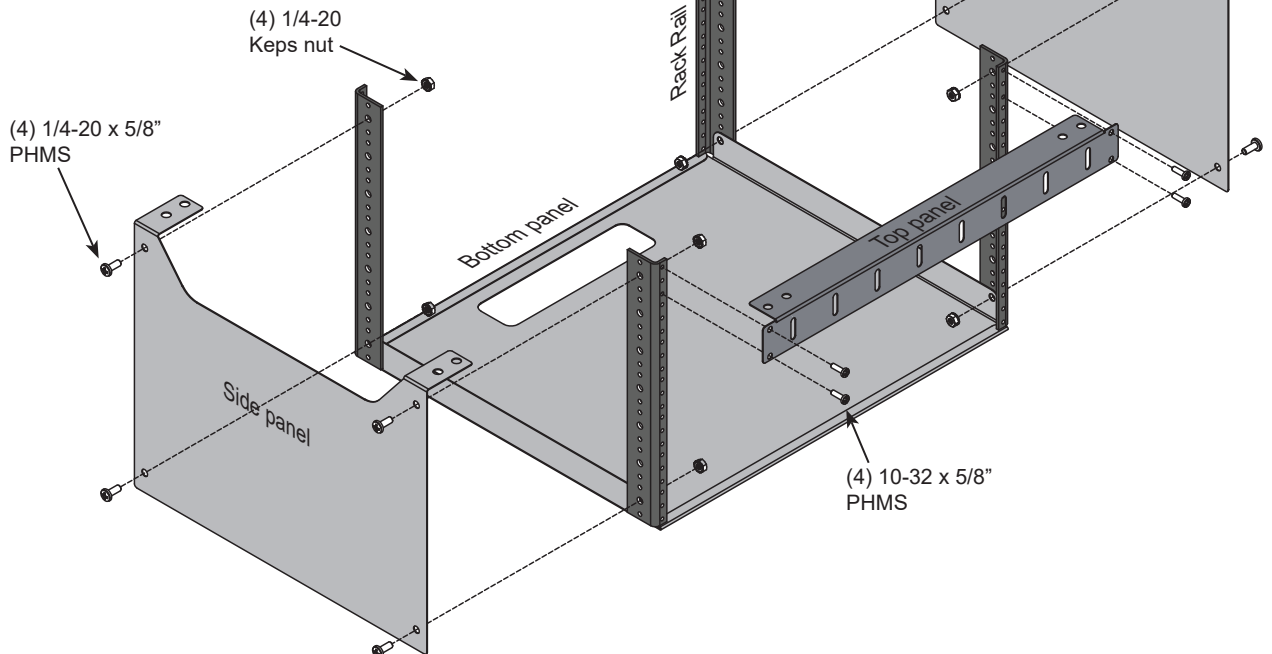
Note: The 95036 Undermount Rack Cabinet is not compatible with an installed Undermount AV Channel.



Assembly tip: Do not tighten component fasteners completely until all have been installed. Keeping them loose will help with alignment between parts during assembly.



1 Assemble rack cabinet



2 Attach rack cabinet to worksurface

