

Assembly Instructions

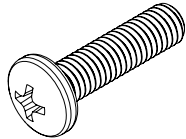
⚠ Important ⚠

Before you begin, read and comply with all safety and operating instructions, and ensure all parts and correct quantities are included.

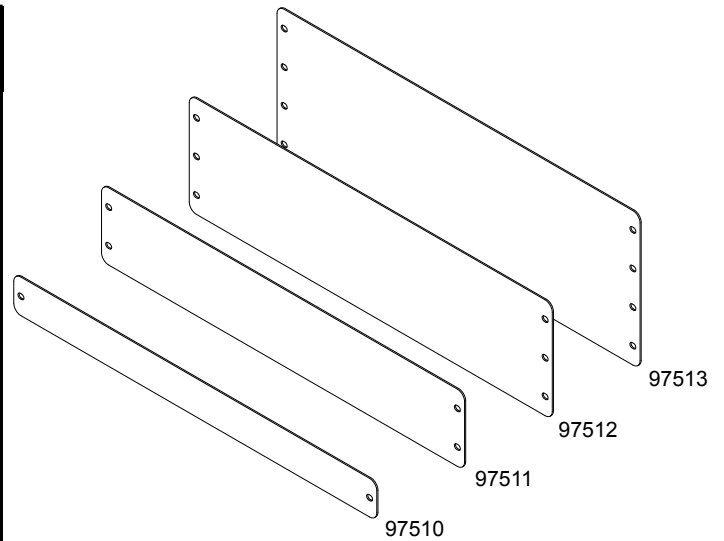
Any parts damaged during shipment must be reported within 5 days of receipt. To report information regarding missing parts or damage, to purchase parts or accessories, or if you have any questions, please contact us.

www.spectrumfurniture.com
800-235-1262, 715-723-6750

Thank you for purchasing Spectrum products!



050184
10-32 x 5/8" PHMS



Rack-mount blank

97510 - 1RU

97512 - 3RU

97511 - 2RU

97513 - 4RU

Attach blank to rack rail

1. Using a Phillips screwdriver and the included 10-32 x 5/8" PHM screws, attach the blank to the rack rail wherever components or shelves are not installed. **Figure 1.**

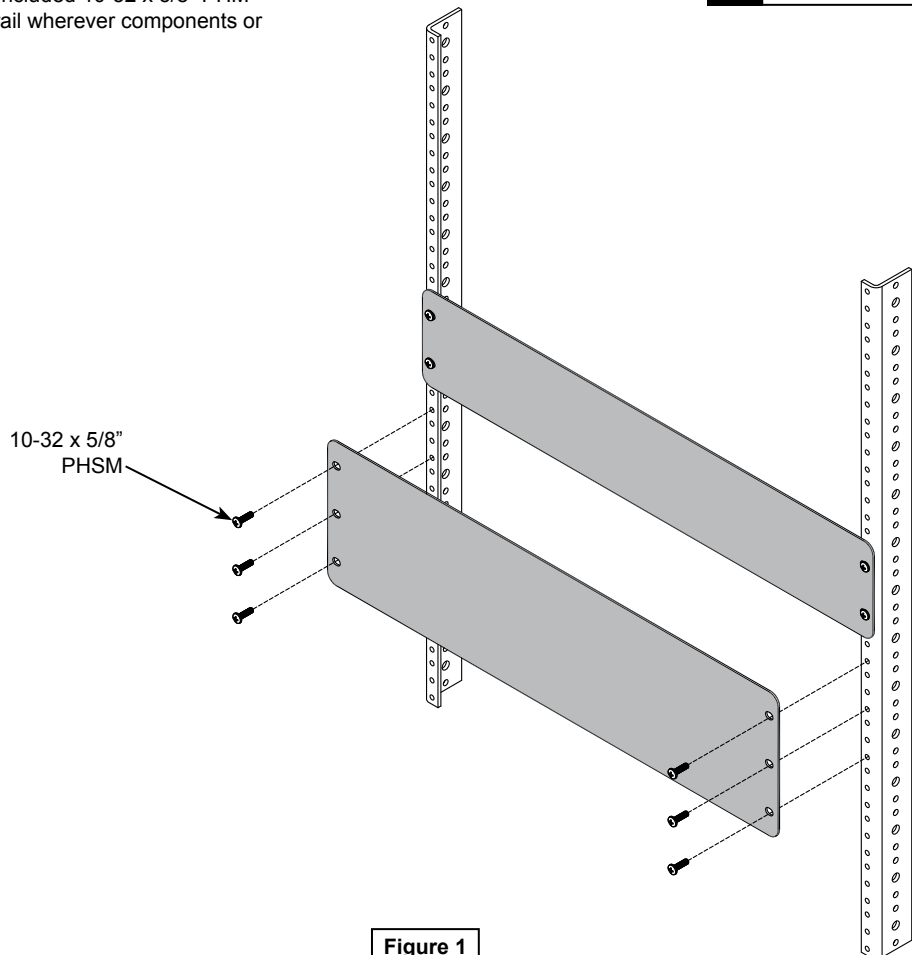


Figure 1