

# Assembly Instructions

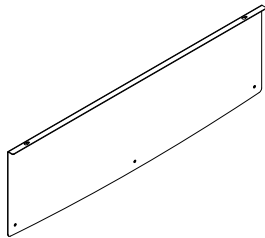
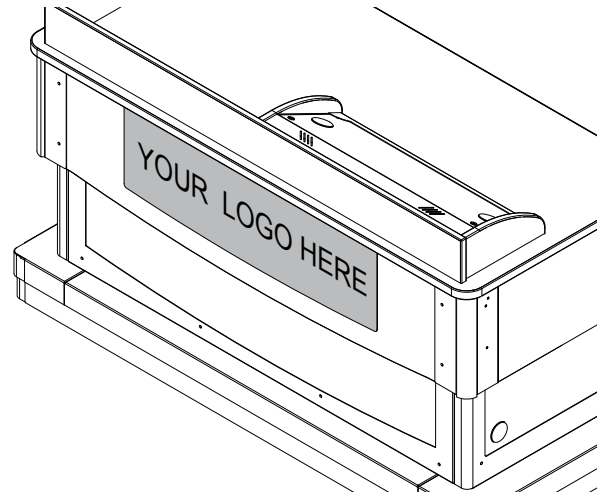
## ⚠ Important ⚠

Before you begin, read and comply with all safety and operating instructions, and ensure all parts and correct quantities are included.

Any parts damaged during shipment must be reported within 5 days of receipt. To report information regarding missing parts or damage, to purchase parts or accessories, or if you have any questions, please contact us.

[www.spectrumfurniture.com](http://www.spectrumfurniture.com)  
800-235-1262, 715-723-6750

Thank you for purchasing Spectrum products!



(1) 0118146  
Customized  
Logo Panel



(3) 021521  
10-24 Keps nut



(2) 0101382  
14 x 7/8 PHSM

## Customized Logo Panel for Freedom XRS Elite Lectern 55389

Tools Required



Drill with  
3/8" drill bit



3/8" socket  
and wrench



Phillips  
screwdriver

## 1. Drill Mounting Holes

1. Raise the lectern all the way up
2. Move the rack cabinet away from the lectern, and unplug the lectern power cord.
3. Locate the (3) starter holes in the back of the audience-side panel inside the lectern. **Figure 1.**
4. Using a sharp 3/8" drill bit, drill very slowly completely through the audience-side panel at the (3) hole locations.

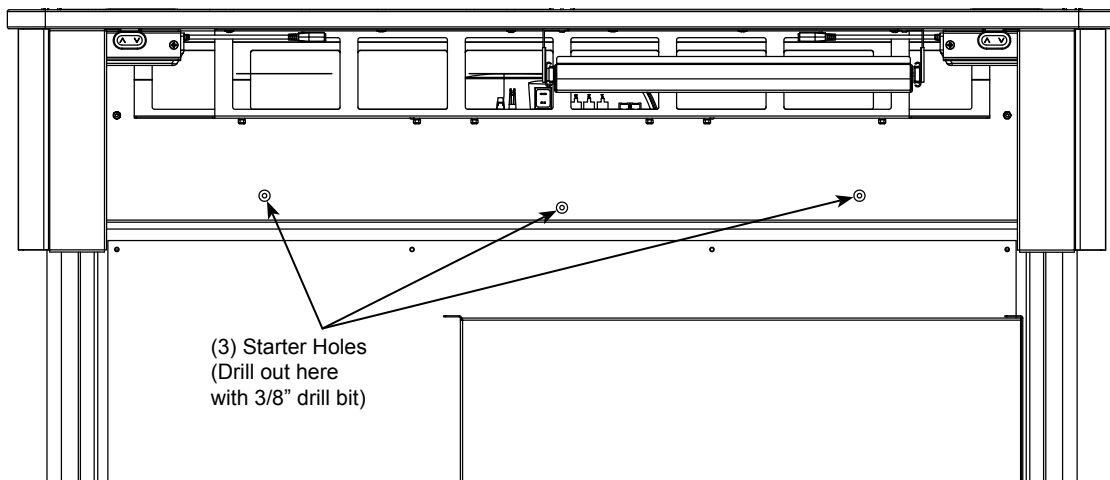


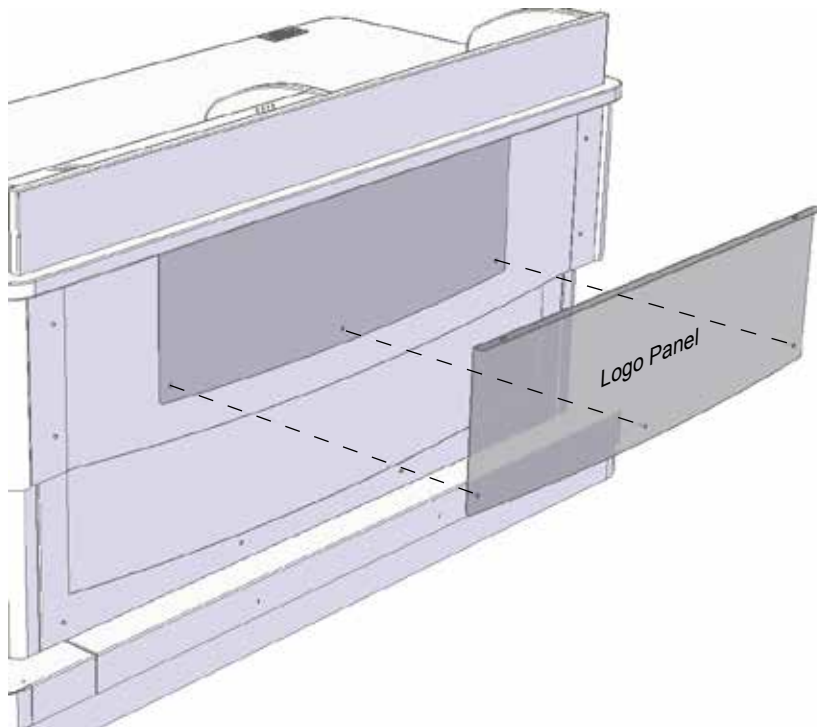
Figure 1

## ⚠ CAUTION ⚠

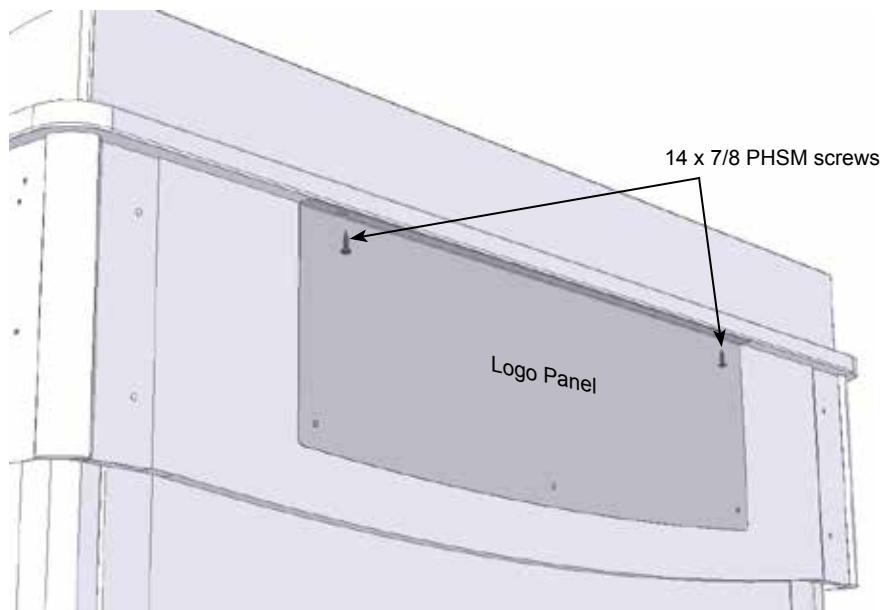
Use a sharp 3/8" drill bit to drill out the (3) existing starter holes. Drill slowly to minimize laminate chip-out around the holes. Placing masking tape on the laminate-side of the panel at the hole locations before drilling will also help minimize chip-out.

## 2. Install Logo Panel

1. Align the logo panel studs with the drilled holes and secure with (3) 10-24 Keps nuts. **Figure 2A.**
2. Install (2) 14 x 7/8 PHSM screws into the worksurface. **Figure 2B.**
3. Tighten all fasteners securely.



**Figure 2A**



**Figure 2B**