

# Assembly Instructions

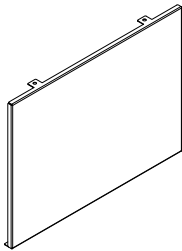
## ⚠ Important ⚠

Before you begin, read and comply with all safety and operating instructions, and ensure all parts and correct quantities are included.

Any parts damaged during shipment must be reported within 5 days of receipt. To report information regarding missing parts or damage, to purchase parts or accessories, or if you have any questions, please contact us.

[www.spectrumfurniture.com](http://www.spectrumfurniture.com)  
800-235-1262, 715-723-6750

Thank you for purchasing Spectrum products!



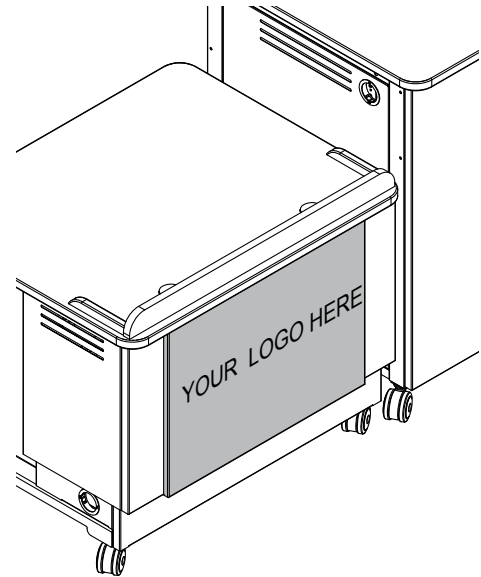
(1) Logo Panel



(2) 0101382  
#14 x 7/8" PHSM



(2) 0100167  
8-32 x 1/2" PH  
thread-cutting screw



## Logo Panel for Freedom One eLift Lectern<sup>TM</sup> 55380

Tools  
Required



Phillips  
screwdriver



Drill with  
Phillips driver

## Installation

1. Raise the lectern worksurface all the way up. **Figure 1.**
2. Align the two logo panel tabs with the slots in the audience-side panel.
3. Attach the tabs to the worksurface with (2) #14 x 7/8" PHSM screws (access from under the worksurface). **Figure 2.**
4. Secure the lower logo panel with (2) 8-32 x 1/2" PH thread-cutting screws. **Figure 3.**

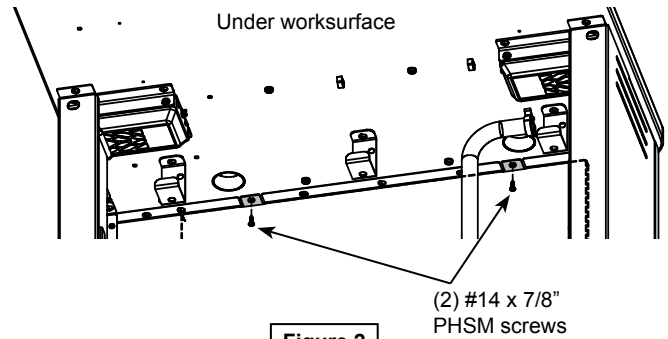
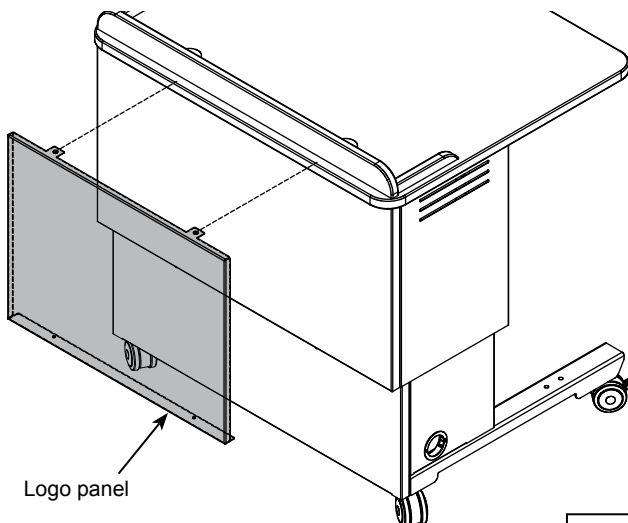
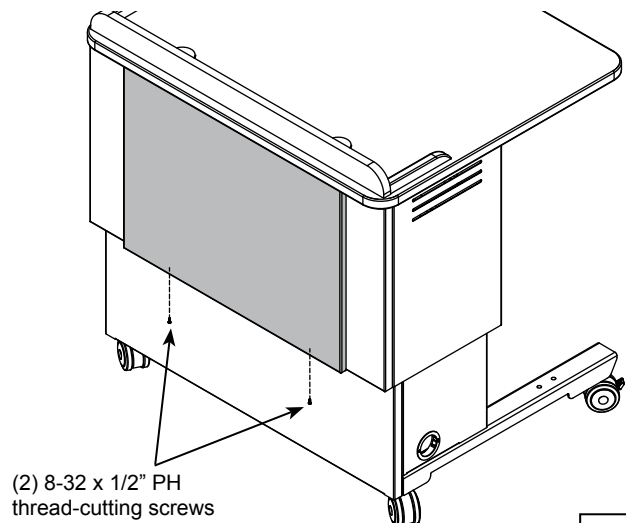


Figure 2



Logo panel

Figure 1



(2) 8-32 x 1/2" PH  
thread-cutting screws

Figure 3