

Assembly Instructions

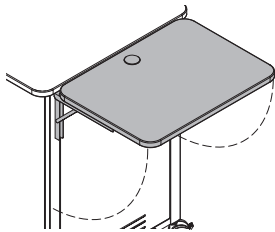
⚠ Important ⚠

Before you begin, read and comply with all safety and operating instructions, and ensure all parts and correct quantities are included.

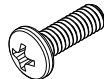
Any parts damaged during shipment must be reported within 5 days of receipt. To report information regarding missing parts or damage, to purchase parts or accessories, or if you have any questions, please contact us.

www.spectrumfurniture.com
800-235-1262, 715-723-6750

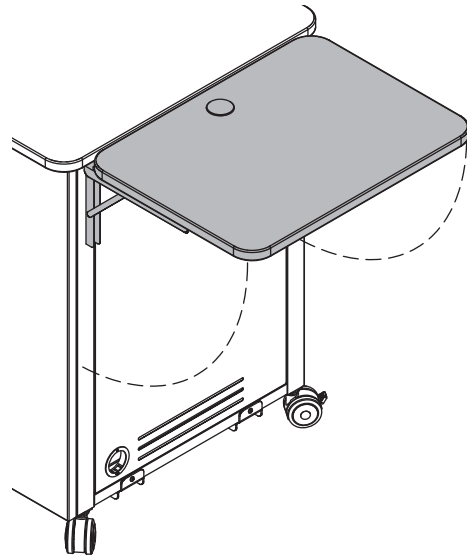
Thank you for purchasing Spectrum products!



(1) 0118086
Flip-up shelf
assembly



(4) 0100167
8-32 x 1/2" PH
Thread-cutting
screw



Flip-up Shelf for Freedom One eLift Lectern™ 55378

Installation

1. Determine which side of the equipment rack the shelf is to be installed. The shelf is to be installed on the equipment rack side opposite the Freedom One Lectern.
2. Extend and lock the folding shelf brackets into the horizontal position. **Figure 1.**
3. Align and attach each bracket to the side of the lectern with (2) 8-32 x 3/8" PHM screws and tighten securely. **Figure 2.**

⚠ CAUTION ⚠

Keep clear of pinch points during shelf movement. Do not exceed 35 lbs [15.9 kg] of weight on shelf.

Tools
Required



Phillips
screwdriver

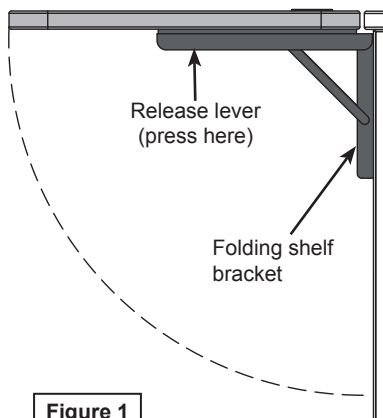


Figure 1

Operation

The shelf will automatically lock into place when lifted into the horizontal position with the levers released. **Figure 1.** To lower or flip-up the shelf, press and hold the levers under each folding shelf bracket at the same time while slowly lowering or raising the shelf. Do not move the unit while the shelf is in the horizontal position.

Note: Power and communication wiring for document cameras, laptop computers, and / or projectors placed on the flip-up shelf should be routed on top of the audience-side of the shelf. Use of the shelf grommet hole for wiring will result in pinching of the cords when the shelf is folded.

For stability reasons, Spectrum does not recommend attaching the shelf to a stand-alone equipment rack.

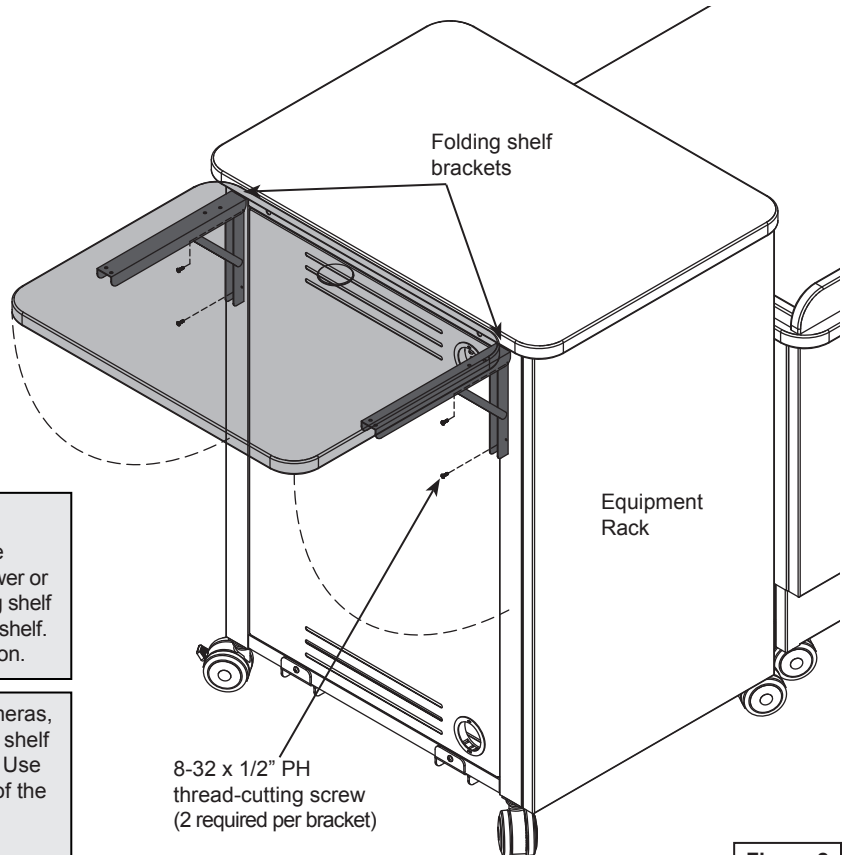


Figure 2