

Assembly Instructions

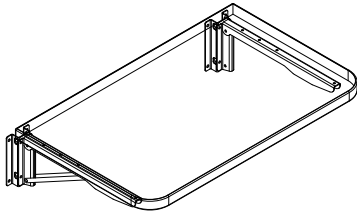
⚠ Important ⚠

Before you begin, read and comply with all safety and operating instructions, and ensure all parts and correct quantities are included.

Any parts damaged during shipment must be reported within 5 days of receipt. To report information regarding missing parts or damage, to purchase parts or accessories, or if you have any questions, please contact us.

www.spectrumfurniture.com
800-235-1262, 715-723-6750

Thank you for purchasing Spectrum products!



(1) 0118912
Flip-up shelf
assembly



(8) 0100167
8-32 x 1/2" PH
Thread-cutting
screw

Installation

1. Determine which side of the lectern you want the shelf installed.
2. Extend each shelf bracket to by depressing the release lever and lifting until it locks into the 90° position. **Figure 1**.
3. Align and attach each bracket to the side of the lectern with (4) 8-32 x 3/8" PHM screws. A second person may help by supporting the shelf during installation.
4. Tighten screws securely.

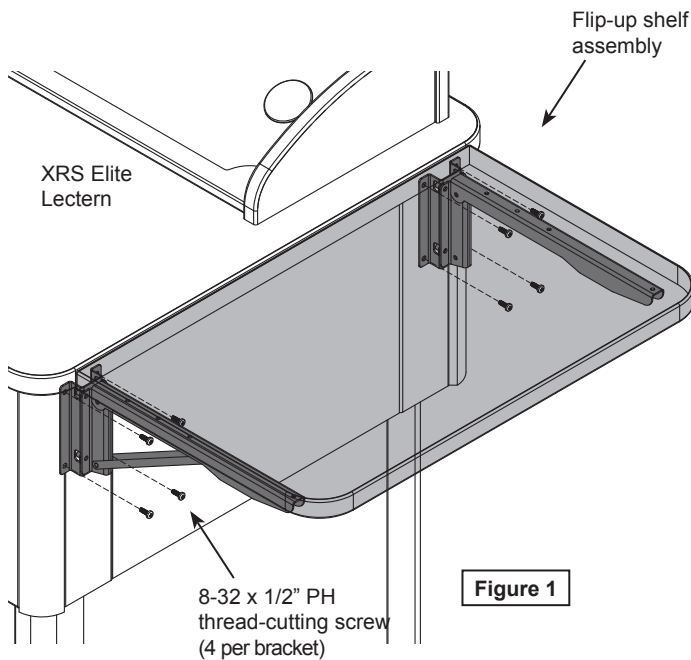
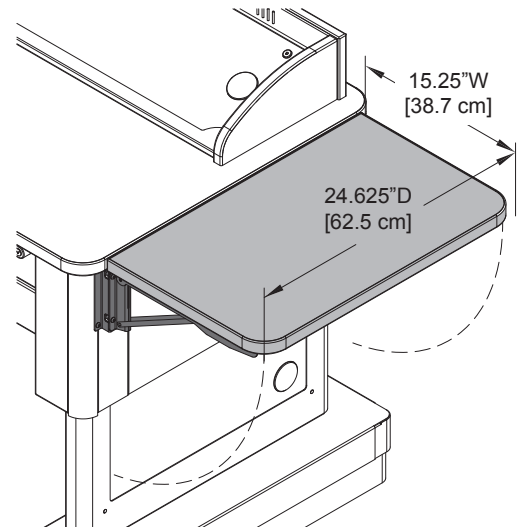


Figure 1



Flip-up Shelf for Freedom XRS Elite™ 55333

Tools
Required



Phillips
Screwdriver

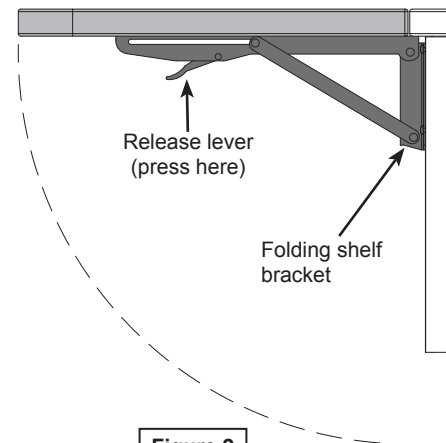


Figure 2

Operation

The shelf will automatically lock in place when lifted into the horizontal position with the levers released. **Figure 2**. To lower or flip-up the shelf, press and hold the shelf bracket levers while slowly lowering or raising the shelf. Do not move the lectern while the shelf is in the horizontal position.

⚠ CAUTION ⚠

Keep clear of pinch points during shelf movement.
Do not exceed 35 lbs [15.9 kg] of weight on shelf.