

Assembly Instructions

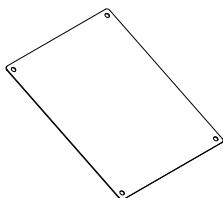
⚠ Important ⚠

Before you begin, read and comply with all safety and operating instructions, and ensure all parts and correct quantities are included.

Any parts damaged during shipment must be reported within 5 days of receipt. To report information regarding missing parts or damage, to purchase parts or accessories, or if you have any questions, please contact us.

www.spectrumfurniture.com
800-235-1262, 715-723-6750

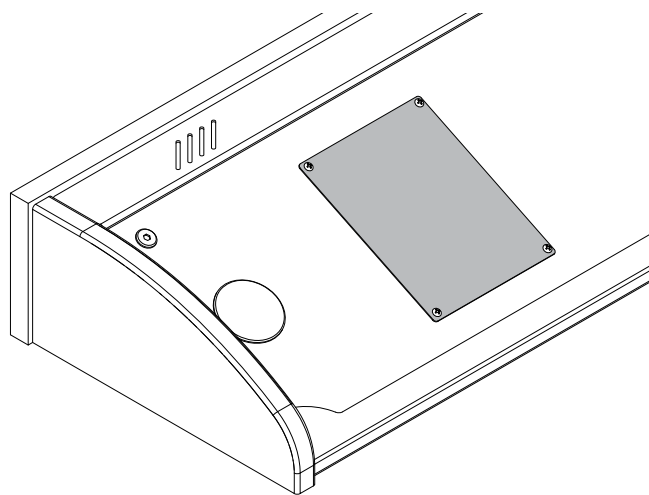
Thank you for purchasing Spectrum products!



(1) 0105455
Cover Plate (black)



(4) 052606
#8 x 3/8" PHSM



Cover Plate for Cable Cubby™ 300 cutout 96500

Installation

1. Center the cover plate over the cutout while making sure it is held flat and level against the overbridge panel.
2. Using the cover plate as a template, mark the 4 mounting hole locations on the overbridge panel with a sharp pencil.
3. Using a drill and 1/8" drill bit, carefully drill pilot holes through the panel surface at the 4 marked locations.
4. Attach the cover plate with (4) #8 x 3/8" PHSM screws and a Phillips screwdriver. **Figure 1.**

Tools Required



Pencil



Electric drill
with 1/8"
drill bit



Phillips
screwdriver

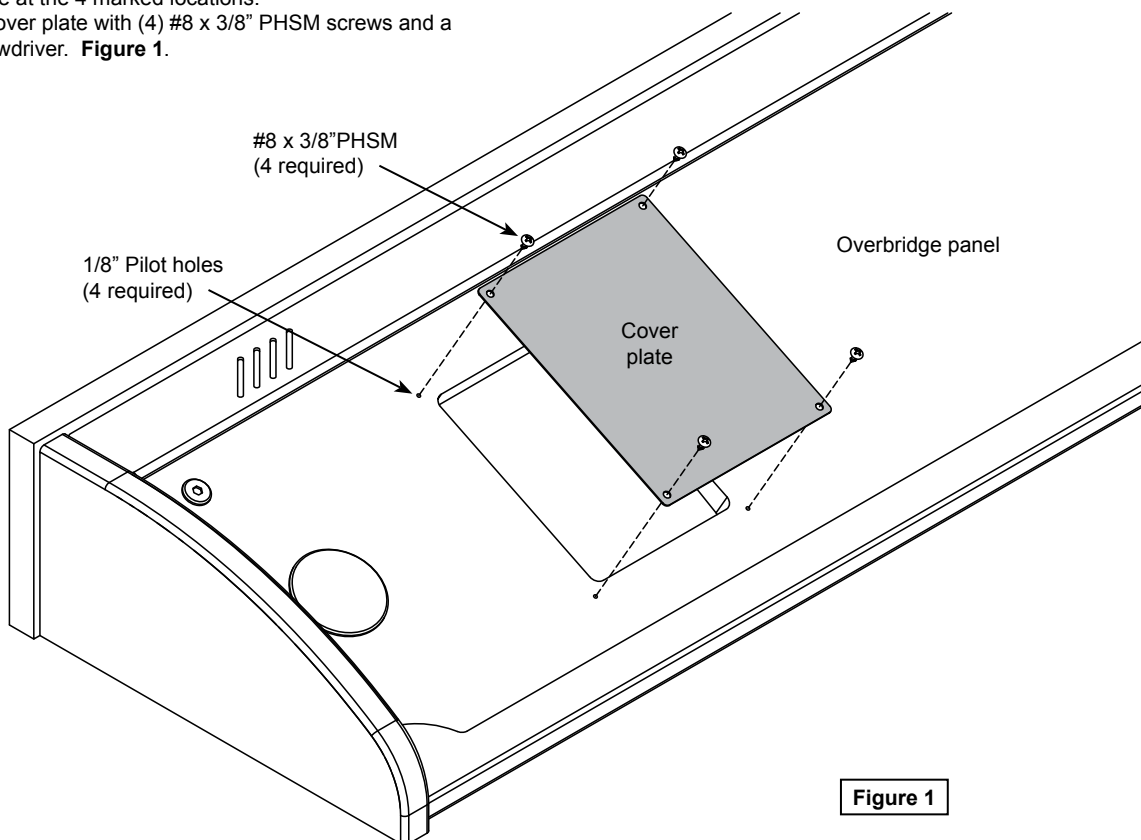


Figure 1