

Assembly Instructions

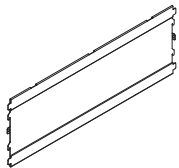
⚠ Important ⚠

Before you begin, read and comply with all safety and operating instructions, and ensure all parts and correct quantities are included.

Any parts damaged during shipment must be reported within 5 days of receipt. To report information regarding missing parts or damage, to purchase parts or accessories, or if you have any questions, please contact us.

www.spectrumfurniture.com
800-235-1262, 715-723-6750

Thank you for purchasing Spectrum products!



(1) 0138360
Modesty panel



(1) 0134099
Bracket



(1) 0138391
Left corner



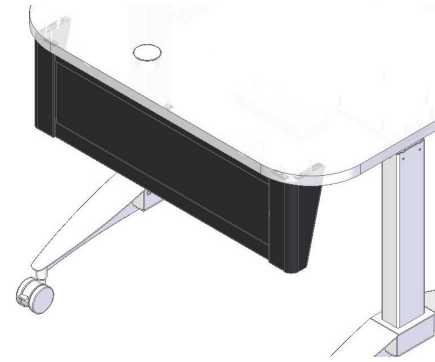
(1) 037542
#8 x 5/8" PHSM



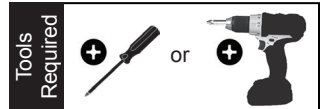
(1) 0138392
Right corner



(8) 0101382
#14 x 7/8" PHSM



Modesty Panel for Pivot Workstation™ 37332



Installation

- Carefully flip the workstation upside-down onto a non-abrasive surface. This may require 2-3 people.
- Orient the modesty panel and corners as shown and lock together. **Figure 1.**

- Place the mounting bracket inside the panel pocket. **Figure 2.**

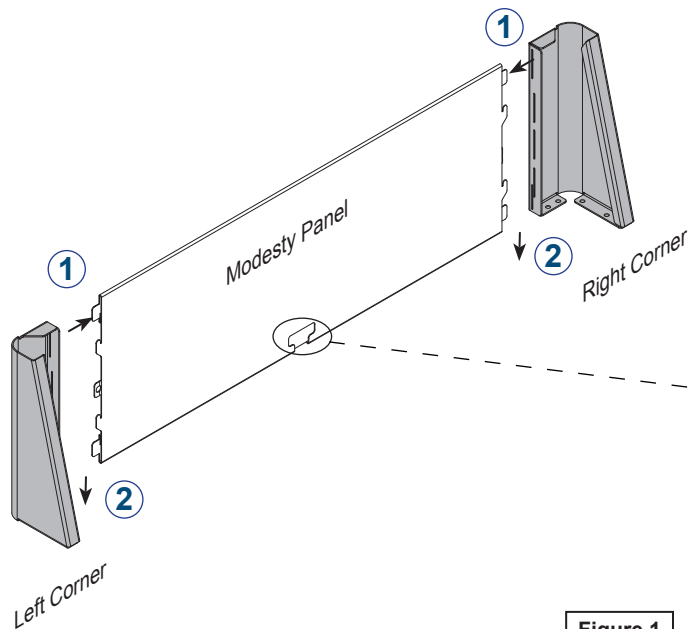


Figure 1

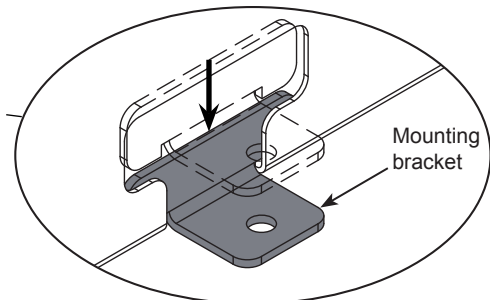


Figure 2

4. Align the modesty panel, bracket, and worksurface mounting holes.
Figure 3.

5. Attach to worksurface with (8) #14 x 7/8" PHSM screws. **Figure 4.**
6. Secure mounting bracket with (1) #8 x 5/8" PHSM screw.

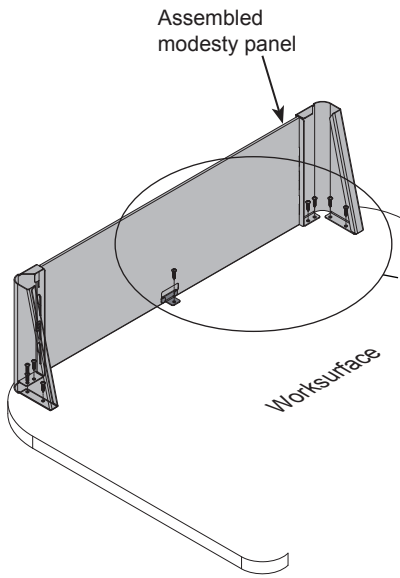


Figure 3

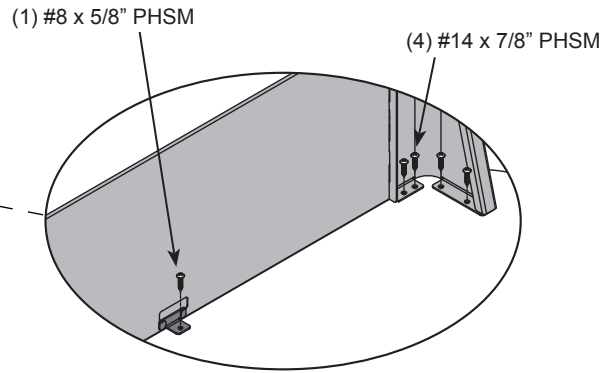


Figure 4