

# Assembly Instructions

## ⚠ Important ⚠

Before you begin, read and comply with all safety and operating instructions, and ensure all parts and correct quantities are included.

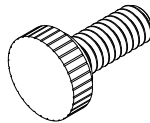
Any parts damaged during shipment must be reported within 5 days of receipt. To report information regarding missing parts or damage, to purchase parts or accessories, or if you have any questions, please contact us.

[www.spectrumfurniture.com](http://www.spectrumfurniture.com)  
800-235-1262, 715-723-6750

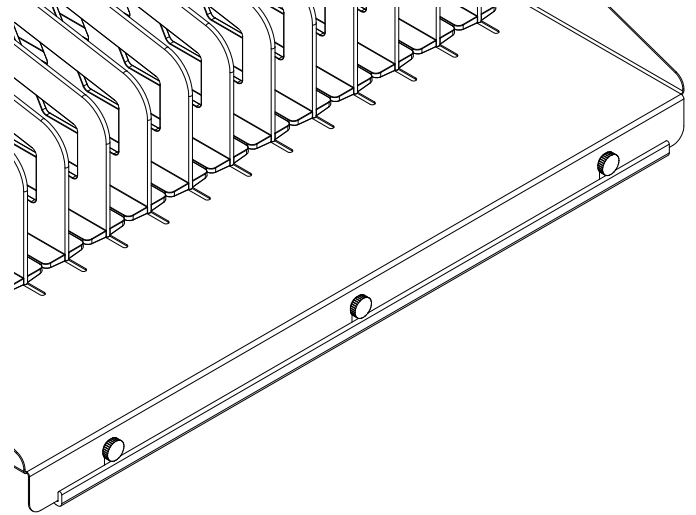
Thank you for purchasing Spectrum products!



(1) 0118171  
Edge trim cut to 20.25"



(3) 0191648  
1/4-20 x 1" Thumbscrew



## Trim & thumbscrew kit for SIM32 Cart 55494

## Installation

1. Install trim onto front edge of mid panel tray. **Figure 1.**
2. Place mid panel tray into cart. **Figure 2.**
3. Secure with (3) 1/4-20 x 1" thumbscrews. **Figure 3.**

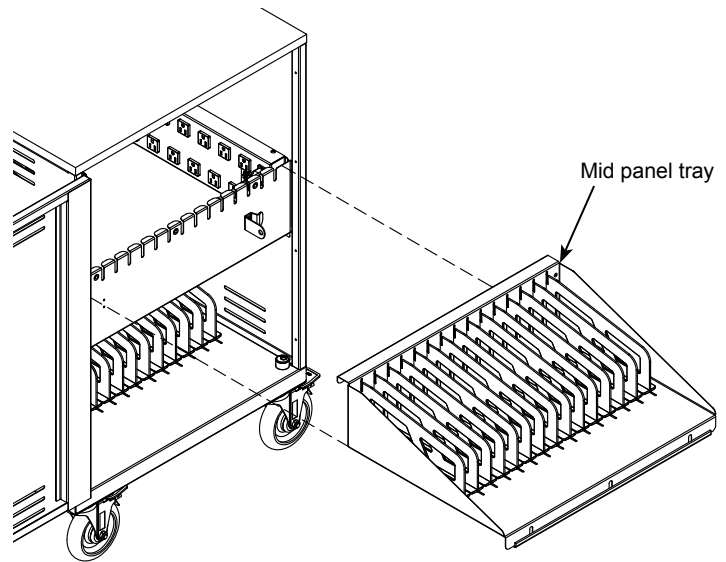


Figure 2

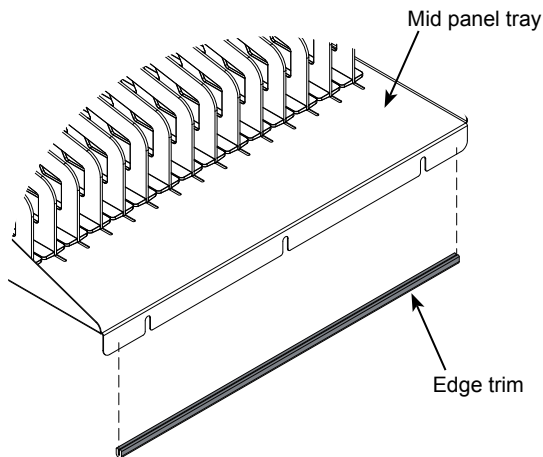
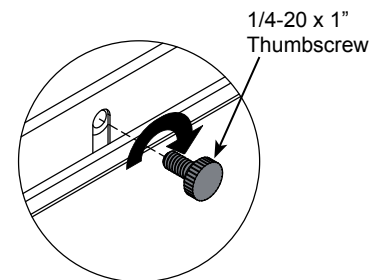


Figure 1



X 3

Figure 3