

Assembly Instructions

Important

Before you begin, please make sure all parts and proper quantities are included. Any parts damaged during shipment must be reported within 15 days of receipt. To report information regarding damage, to purchase parts or accessories, or if you have any questions, please contact us at:

www.spectrumfurniture.com
715-723-6750, 800-235-1262

Thank you for purchasing Spectrum products!



(1) 0109211
cycle timer with 15' cord



(4) 0101382
#14 x 7/8" PHSM screws



Value Cycle Timer
99035

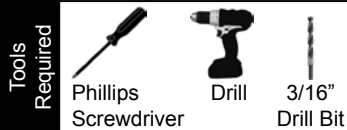
1. Timer Installation

- Align the timer assembly with the (4) pre-drilled pilot holes under the worksurface and attach with (4) #14 x 7/8" PHSM screws.
Figure 1. Tighten securely.



For carts without pilot holes:

To retrofit the timer to an older cart, mark the hole locations on the underside of the worksurface using the timer as a template. Be sure the mounting location provides access to the switches and plugs on front of the timer, and there is enough clearance for the power cords and closing doors. Drill the new mounting hole locations with a 3/16" drill bit while being careful not to drill through the worksurface. Attach the timer with the (4) #14 x 7/8" PHSM screws.



Note: For quick reference, place the included "Cycle Timer Operation" label in a convenient location inside the cart.

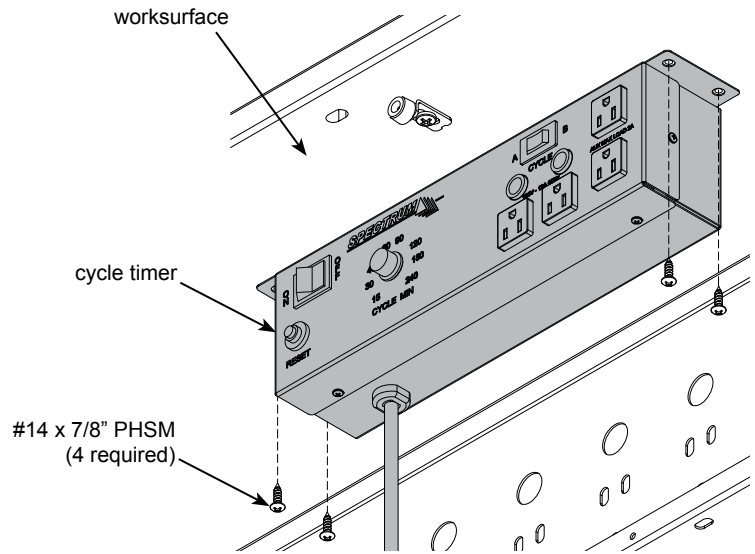


Figure 1

2. Timer Setup

- With all switches in the 'OFF' position, plug the cart power strips into the timer outlets as shown in **Figure 2**.
- Plug the cycle timer power cord directly into a 110-volt standard outlet.
- Secure power cords within the cart as necessary with zip ties.

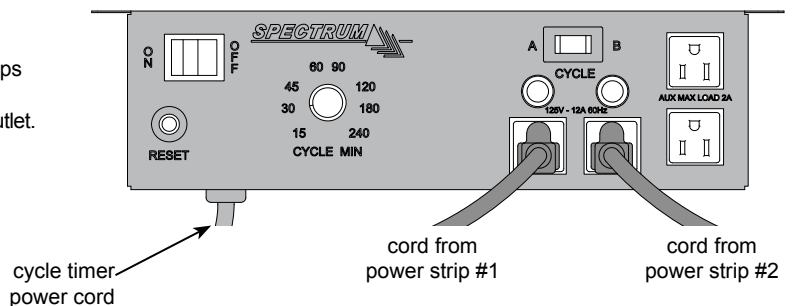
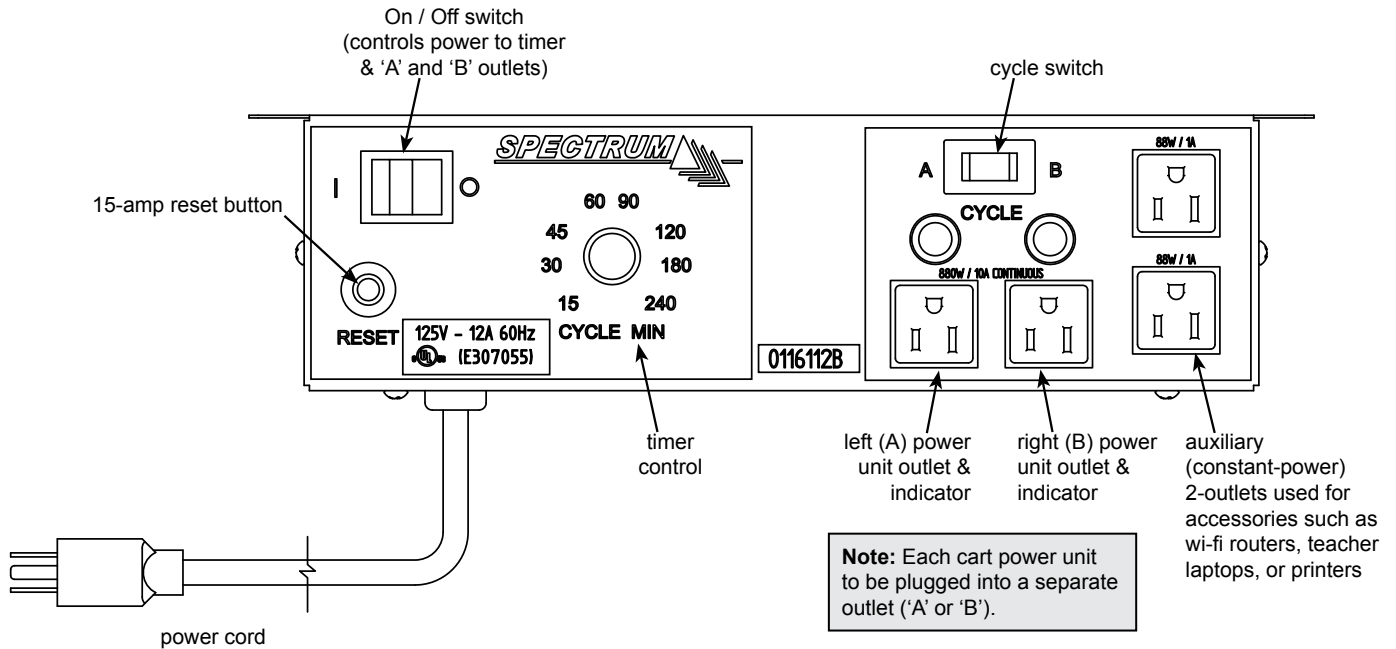


Figure 2



Using Timer

The timer prevents overload by alternating power between both power units in the cart, providing charging to multiple laptops or devices during the day. The power units plug into the outlets labeled 'A' or 'B'.

The timer control can be adjusted between 15-240 minutes. This is the number of minutes a power unit will be "hot" before the timer switches to the other power unit. 15 minutes can be used as the default setting, but the time setting will depend on the laptop size, battery capacity, frequency of use, and the time available for charging between uses. Lower minute settings should be used if the laptops are being used more frequently.

- To cycle charge both 'A' and 'B' sides, keep the cycle switch in the middle 'Cycle' position, then set the timer control to the desired cycling increment. After the side 'A' time expires, the timer will activate side 'B' for the same period of time and will continue to cycle until the ON / OFF switch is set to the OFF position.
- To manually-override the timer function, and charge the 'A' or 'B' side only, switch the cycle switch from the middle to the 'A' or 'B' position.

Specifications:	
Input:	125V, 12A, 60Hz
Output voltage:	125V
Breaker:	15A
Outlets:	2 cycling, 880W, 10A each 2 auxiliary, 88W, 1A each
Power cord:	15' nominal, 14AWG, 3-wire
Timer:	15-240 minutes
Housing material:	20GA steel
Mounting type:	screw
Dimensions:	14.5"W [368.3mm] x 3.32"D [84.3mm] x 4.01"H [101.9mm]
Listing	
Regulatory listing:	ETL recognized component

⚠ CAUTION ⚠

- Do not use the auxiliary outlets to charge multiple laptops or devices (use the 'A' and 'B' outlets only.) **Auxiliary outlets are for peripheral use only.**
- Switch the timer power switch OFF before unplugging or plugging-in the main power unit plugs.
- Total equipment load not to exceed 12-amps per power unit.
- Do not plug the power cord into an extension cord.
- Inspect power cord before each use.
- Do not use power cord that is damaged.
- Do not unplug by pulling on the cord.
- Do not step on, drive over, drag, or place objects on the power cord.
- For indoor use only. Do not install or store the unit where it will be exposed to moisture. Keep dry.
- For added safety, plug the timer into a grounded three-prong receptacle controlled by a GFI (Ground Fault Interrupter) circuit breaker.

Note: For PLUGGABLE EQUIPMENT, the socket-outlet shall be installed near the equipment and shall be easily accessible.