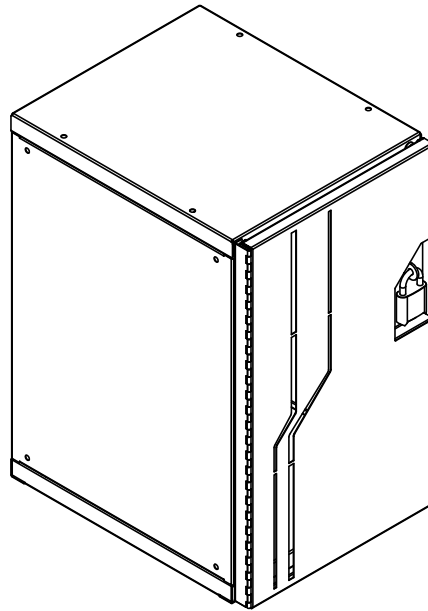


Technical Specifications

37418



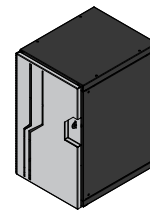
Perfect for organizing any space, the Esports Locker provides plenty of room to keep belongings safe or to offer storage for extra keyboards, headphones, or other peripherals for the team. Its heavy-gauge, steel construction with integrated padlock hasp makes it easy to secure valuables using the Re-programmable 4-Digit Combination Lock (included). Because of its modular design, it can be stacked against a wall, placed at the ends of desks, or used in other useful combinations throughout your space. Its design pairs perfectly with other Spectrum esports solutions and allows you to create endless color combinations to round out the look of your space.

Features and Benefits

- Modular stacked design provides secure storage and is adaptable to any room
- Overall dims (*single locker*): 14.5"W [36.8 cm] x 18.14"D [46.1 cm] x 24.125"H [61.3 cm]
- Integrated padlock hasp in the hinged door provides security
- 4-digit reprogrammable padlock included
- Up to 3 lockers can be stacked vertically and secured to each other.
- Unit can also be anchored to the floor, or permanent worksurface for additional stability and security
- Rubber door bumpers quiet closing
- Magnetic catch prevents door from opening when not in use
- Optional toe kick raises locker stack 5" off floor (*recommended at floor*)
- Each single Esports Locker ships KD (knocked-down) and requires assembly. Lockers are designed to bolt together.
- Durable powder coated steel provides a long lasting finish
- Warranted to be free of all defects in materials and workmanship for 10 years, electrical system 2 years
- Designed in Chippewa Falls, WI, USA

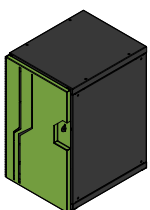
Color Options

Standard color:

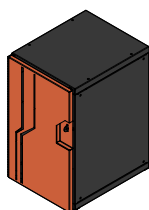


Warm Gray / Black
(WGB)

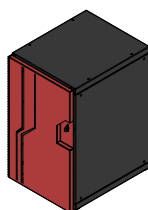
Special order door colors:



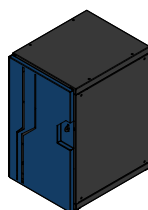
Lime Green / Black
(LIB)



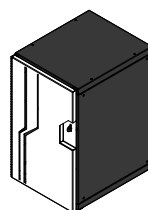
Orange / Black
(ORB)



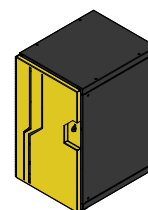
Signal Red / Black
(SRB)



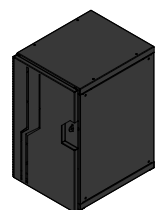
Spectrum Blue / Black
(BLB)



White / Black
(UWB)



Yellow / Black
(YWB)



Black / Black
(BB)

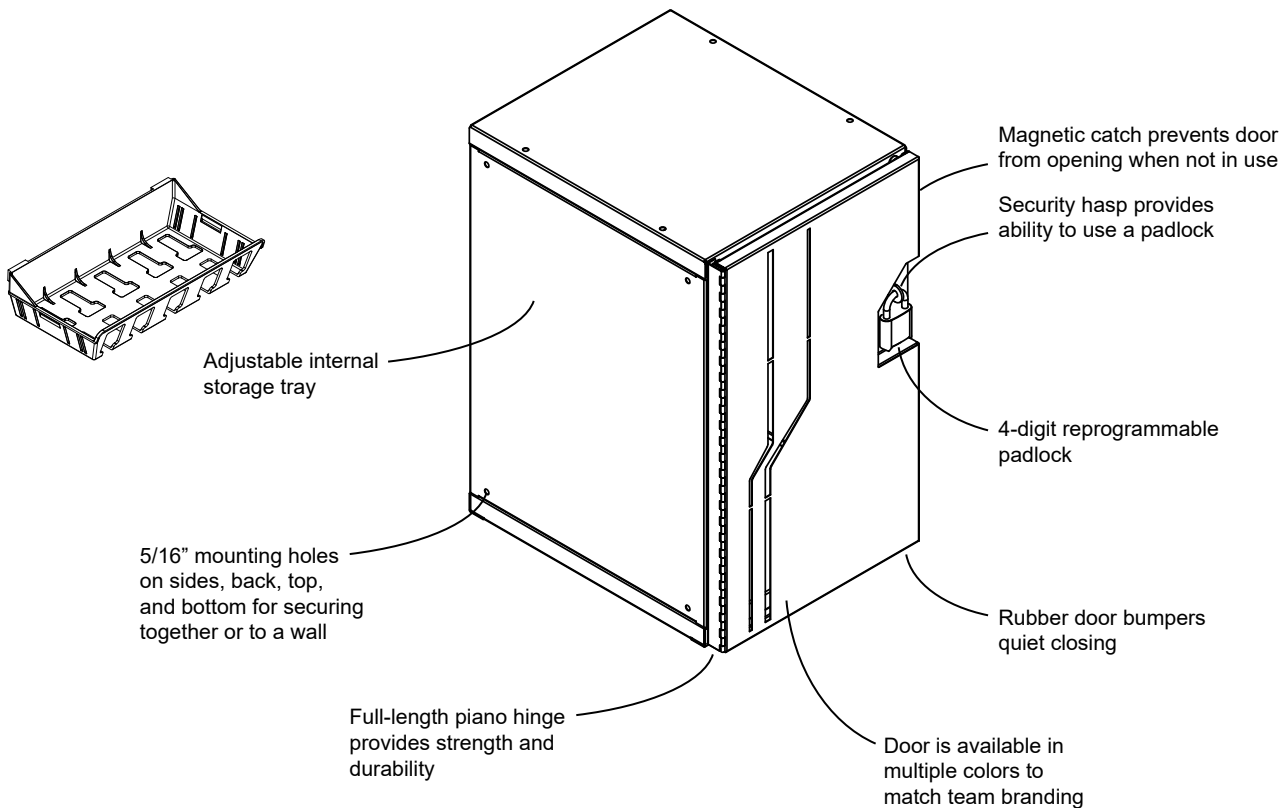
Construction

- Metal components consist of 20-gauge steel
- All metal components are finished with a scratch-resistant powder coat epoxy
- Each single Esports Locker ships KD (knocked-down) and requires assembly. Lockers are designed to bolt together.

Specifications

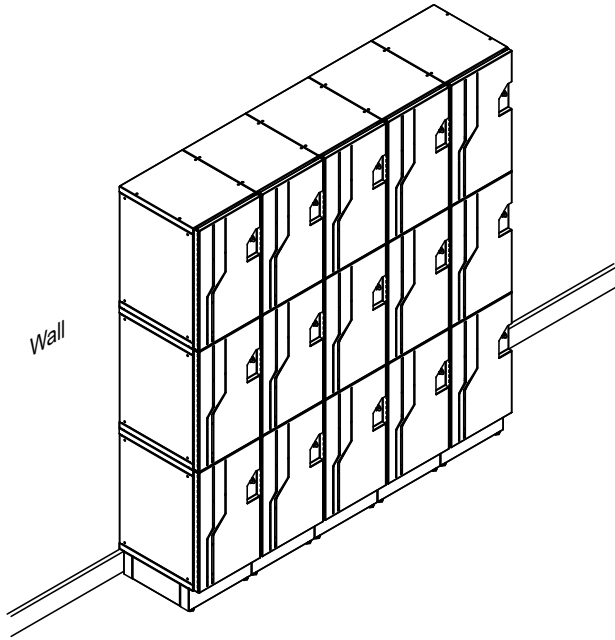
Interior capacity	14.4"W [36.6 cm] x 16.5"D [41.9 cm] x 22.86"H [58 cm]
Stacking guidelines	<ul style="list-style-type: none">• <u>Up to 3 units high</u>• Lockers should always be bolted together• Locker stack requires anchoring to structure like a wall• Back-to-back locker stack can be free-standing as an island as long as they are bolted together
Certifications / Compliance	<ul style="list-style-type: none">• Meets or exceeds applicable ANSI-BIFMA test standards
Unit weight (nominal)	29 lb [13.2 kg]
Shipping weight (nominal)	30 lb [13.6 kg]

Specifications subject to change without notice

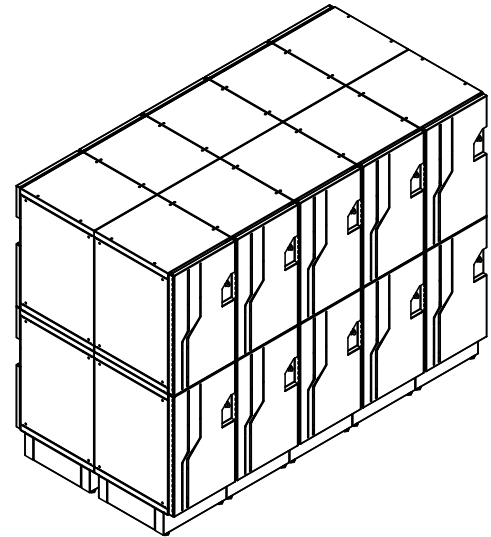


Stacking Guidelines

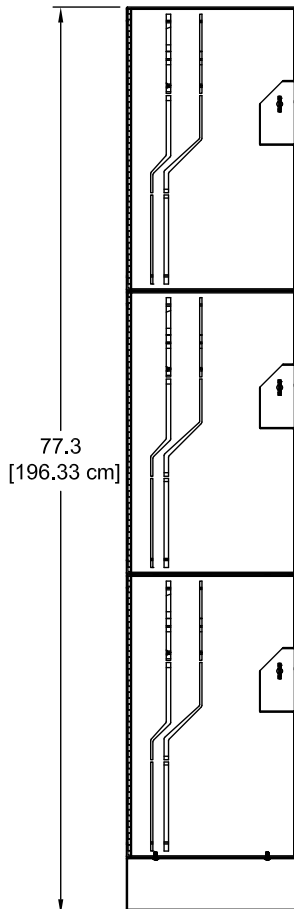
Anchored to wall
(lockers bolted together)



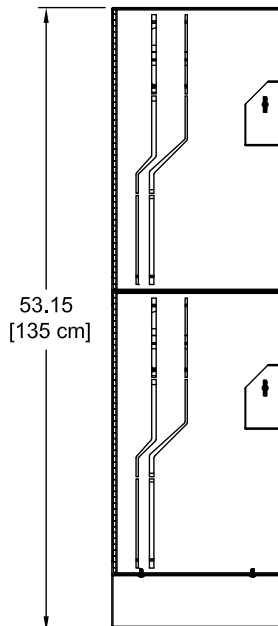
Free-standing back-to-back island
(lockers bolted together)



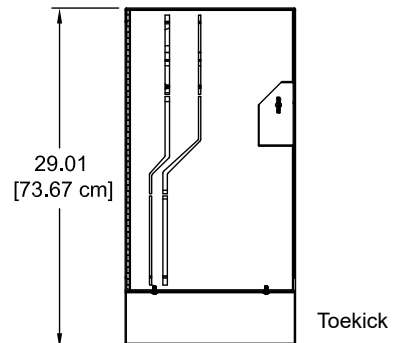
Stacked 3 high on
optional toekick



Stacked 2 high on
optional toekick



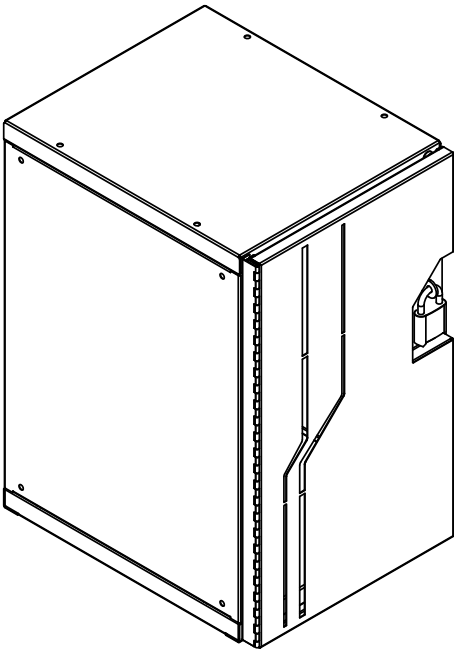
Single on
optional toekick



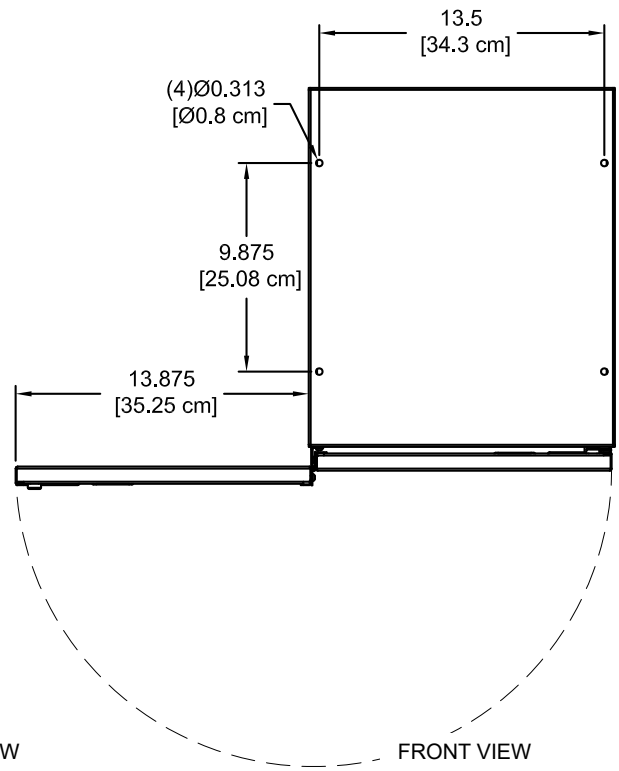
Note: (12) 1/4-20 x 1/2" PHM screws are included to secure lockers together using 5/16" dia mounting holes on the sides, top and back of locker.

Due to the wide variety of wall materials, wall anchor fasteners are NOT provided. Individual job conditions as well as state/local building codes will dictate the type of installation fasteners and how the lockers must be anchored.

See assembly instructions for more information regarding anchor locations.



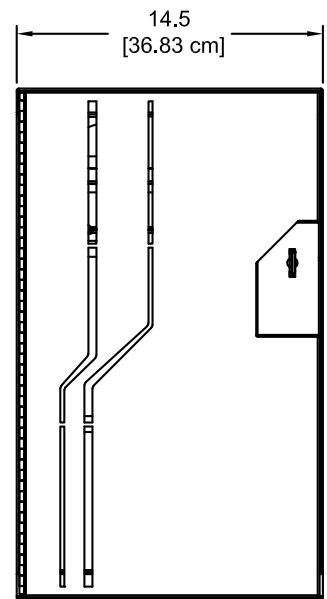
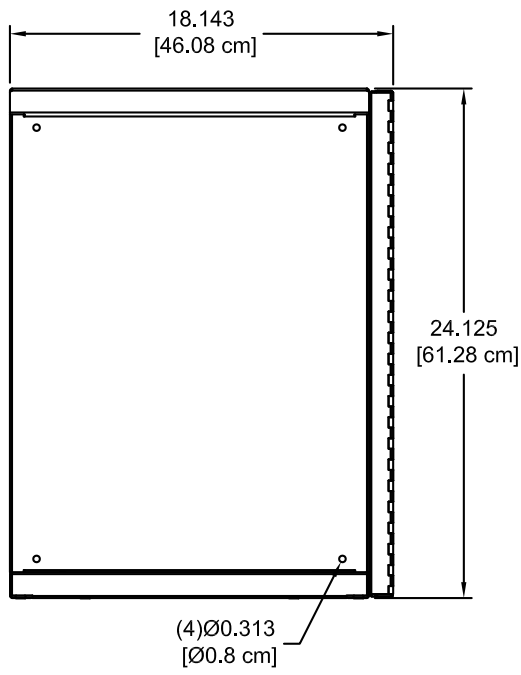
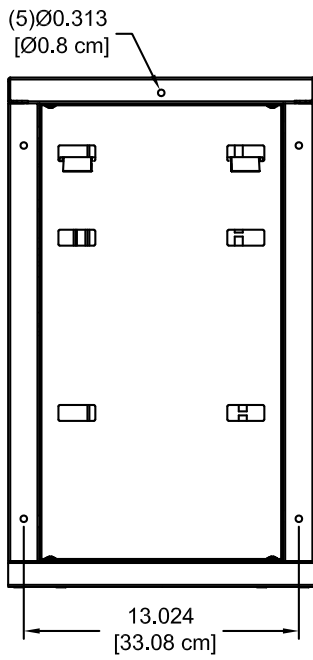
Esports Locker
TOP VIEW



BACK VIEW

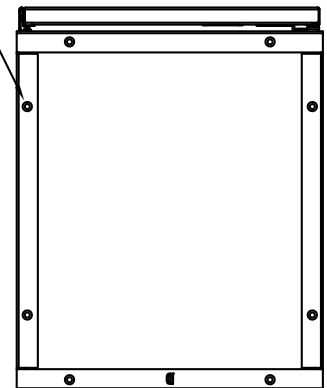
SIDE VIEW

FRONT VIEW

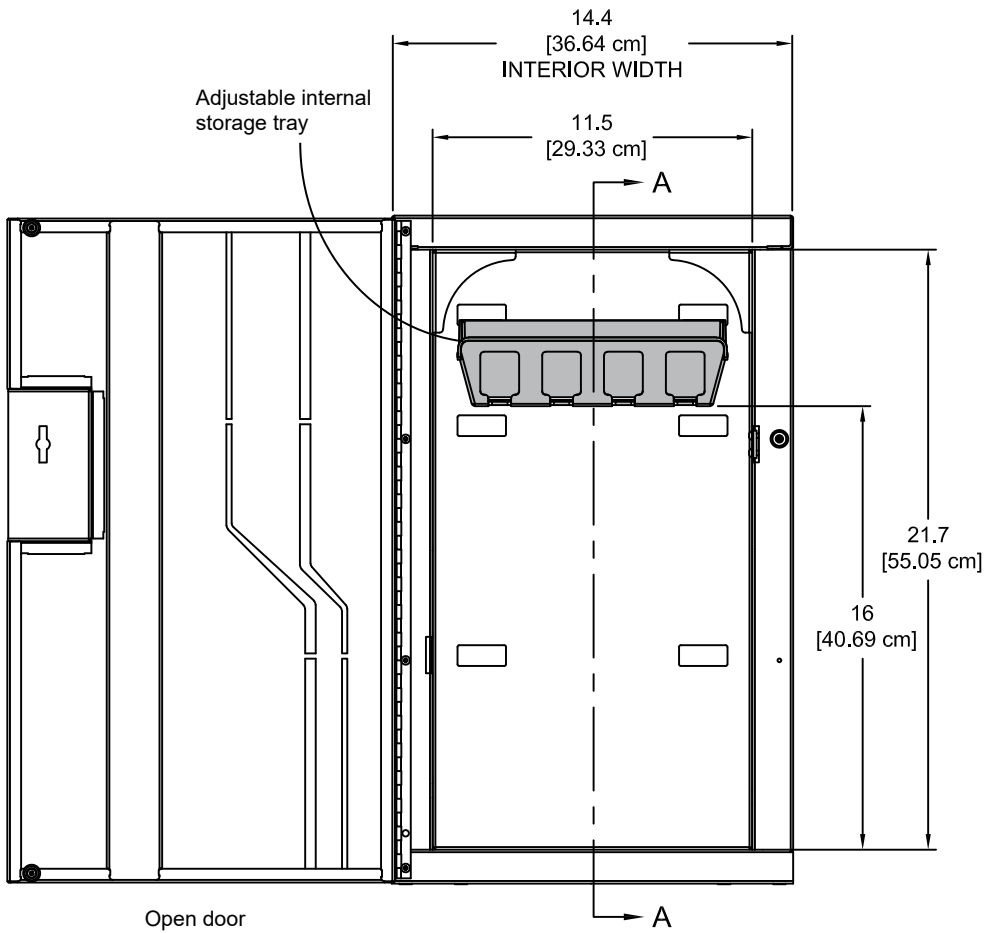


BOTTOM VIEW

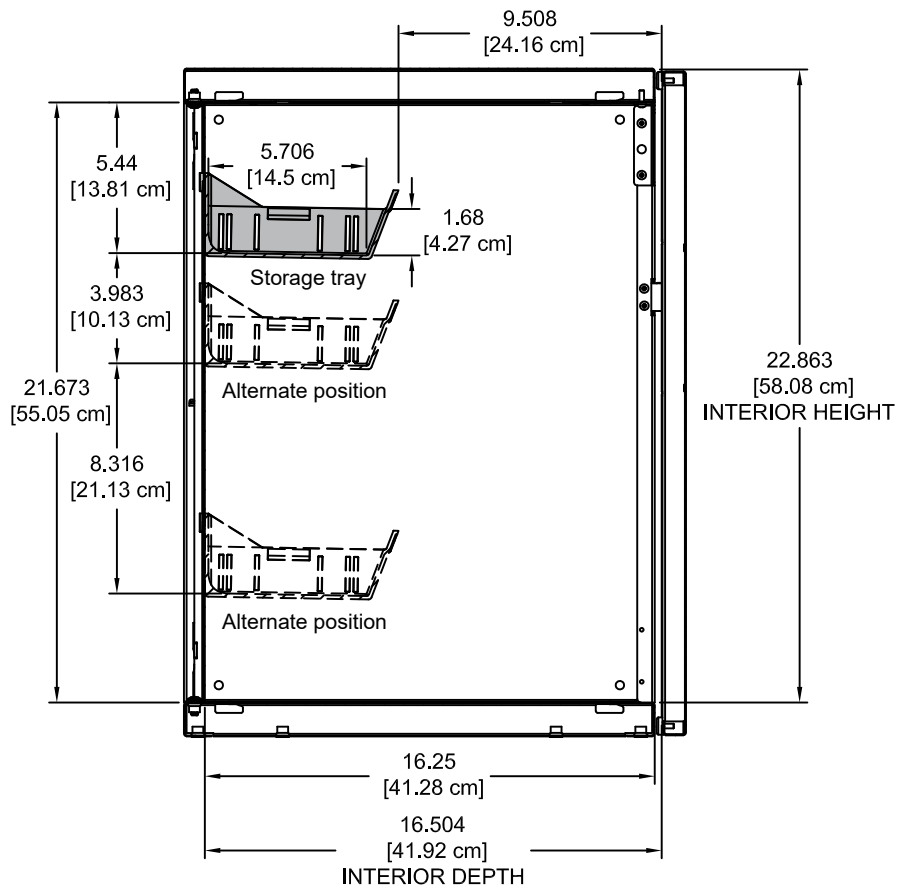
(8) 1/4-20 THREADED HOLES FOR TOEKICK ATTACHMENT



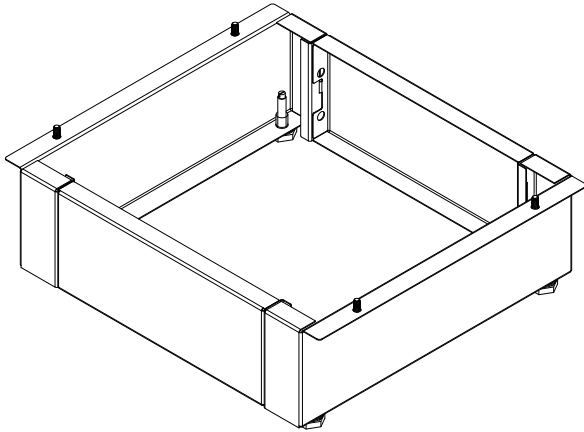
Interior view w/ door open



Section View A-A

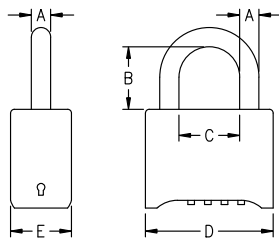


Accessories



Toekick - 95041

- Raises single locker stack 5" off floor
- 20-ga steel
- Levelling glides adjust to uneven floors
- Dims: 14.5"W x 16.82"D x 4.9"H
- Black powdercoat
- Unit weight: 6lb [3.6 kg]
- Shipping weight: 7lb [4.1 kg]



Re-programmable 4-digit Combination Lock - 95536

- Set your own 4-digit personalized combination (up to 10,000 options)
- 5/16" hardened steel shackle for cut-resistance
- Black powdercoated die-cast body for durability
- Change key included
- Unit weight: .55 lb [.25 kg]

A	.3125" [7.9 mm]
B	1" [25.4 mm]
C	.983" [25 mm]
D	2.07" [52.5 mm]
E	.987" [25.1 mm]

Warranty

We will make it right for you!

Thanks for choosing Spectrum! Spectrum is committed to provide complete customer satisfaction. Each of our products is manufactured from the best materials available and each product is stringently monitored throughout the production process through our P.A.C.E. program (Product Assurance to meet Customer Expectations).

We expressly warrant that Spectrum products will be of good quality and workmanship and free from defect for the period set out in the warranty from the date of delivery.

For a listing of all product specific warranty terms please visit our website at:

<https://www.spectrumfurniture.com/en/resources/purchasing-terms-warranty>

1-800-235-1262

Toll-free HELPLINE

spectrum@spectrumfurniture.com