

# Assembly Instructions

## ⚠ Important ⚠

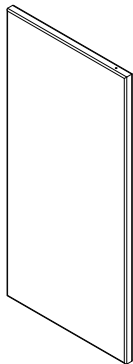
Before you begin, read and comply with all safety and operating instructions, and ensure all parts and correct quantities are included.

Any parts damaged during shipment must be reported within 5 days of receipt. To report information regarding missing parts or damage, to purchase parts or accessories, or if you have any questions, please contact us.

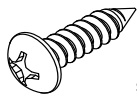
[www.spectrumfurniture.com](http://www.spectrumfurniture.com)

800-235-1262, 715-723-6750

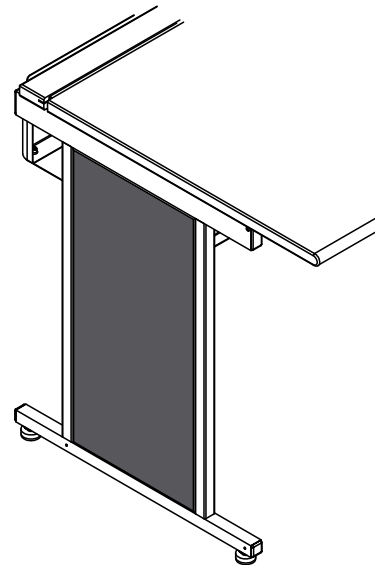
Thank you for purchasing Spectrum products!



(2) 0151474  
Laminated leg  
panel insert



(8) 037542  
#8 x 5/8" PHSM



## Laminated Leg Panel Insert - 37344 for Esports Desks



### Installation options:

#### 3 screw installation: (Pre-assembled desk) *(does not require legs to be detached)*

1. Carefully flip the desk upside down.
2. Set panel insert into each leg opening and secure with (3) #8 x 5/8" PHSM screws as shown. **Figure 1.**
3. Carefully flip desk upright.

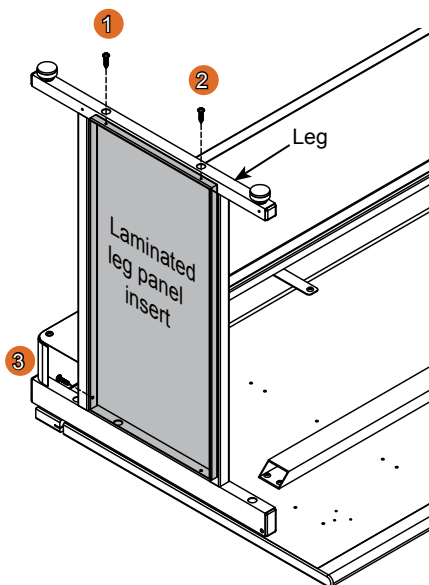


Figure 1

#### 4 screw installation: (Unassembled or pre-assembled desk) *(requires legs to be detached)*

1. Carefully flip the desk upside down.
2. If legs aren't already detached, remove the legs, remove the support panel, cord channel fasteners, and leg-to-worksurface fasteners.
3. Set panel insert into each leg opening and secure with (4) #8 x 5/8" PHSM screws as shown. **Figure 2.**
4. Re-attach each leg to the worksurface.
5. Re-attach the cord channel, and support panel.
6. Carefully flip the desk upright.

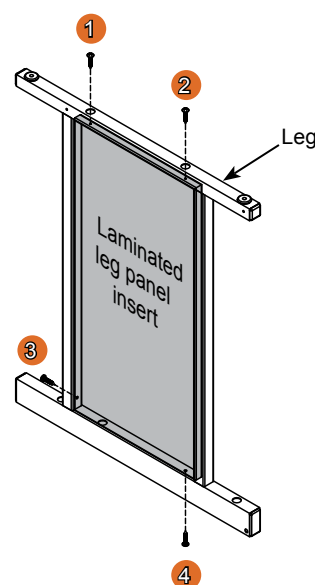


Figure 2