

# Assembly Instructions

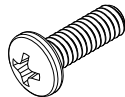
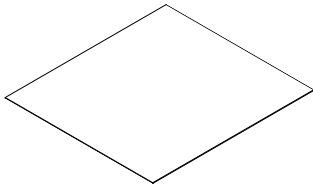
## ⚠ Important ⚠

Before you begin, read and comply with all safety and operating instructions, and ensure all parts and correct quantities are included.

Any parts damaged during shipment must be reported within 5 days of receipt. To report information regarding missing parts or damage, to purchase parts or accessories, or if you have any questions, please contact us.

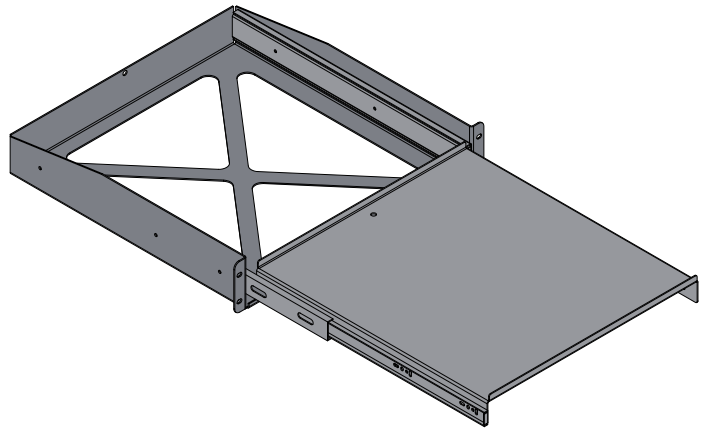
[www.spectrumfurniture.com](http://www.spectrumfurniture.com)  
800-235-1262, 715-723-6750

*Thank you for purchasing Spectrum products!*



(1) Non-slip adhesive mat  
15.8125"W x 17.25"D - 059987 (97505)  
15.8125"W x 21.25"D - 052093 (97503)

(6) 050184  
10-32 x 5/8" THMS

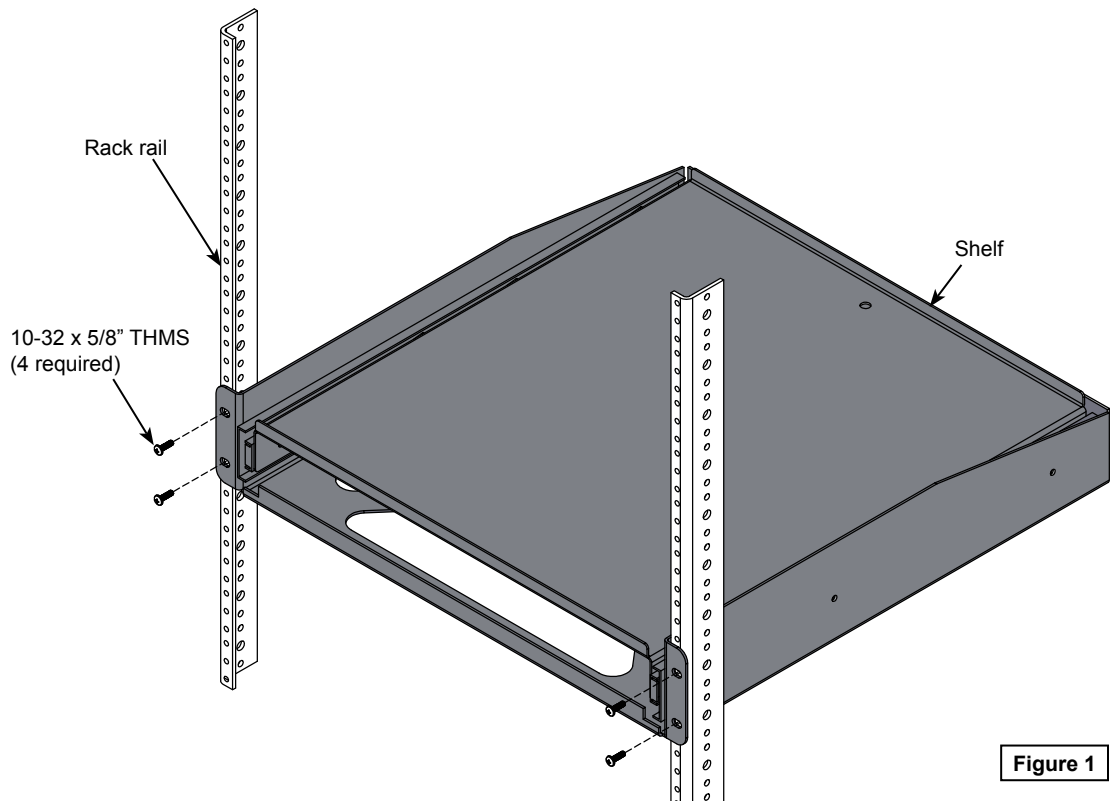


**Rack-mount Pull-out Shelf**  
97505 - 2RU  
97503 - 3RU

## Installation



1. Determine the preferred height on the rack rails for the shelf. Be sure the shelf will not interfere with any doors or other equipment.
2. Using the (6) 10-32 x 5/8" THM screws, attach the shelf to the rack rails. **Figure 1.**
3. Tighten screws securely.
4. The adhesive mat can be adhered to the shelf to provide a non-slip surface.



## ⚠ Caution ⚠

Maximum shelf load not to exceed:

- 50 lbs (97505)
- 80 lbs (97503)

**Figure 1**