

Assembly Instructions

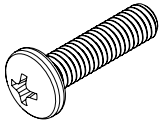
⚠ Important ⚠

Before you begin, read and comply with all safety and operating instructions, and ensure all parts and correct quantities are included.

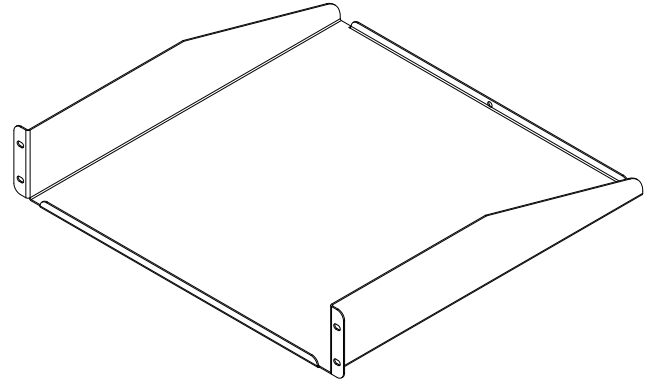
Any parts damaged during shipment must be reported within 5 days of receipt. To report information regarding missing parts or damage, to purchase parts or accessories, or if you have any questions, please contact us.

www.spectrumfurniture.com
800-235-1262, 715-723-6750

Thank you for purchasing Spectrum products!



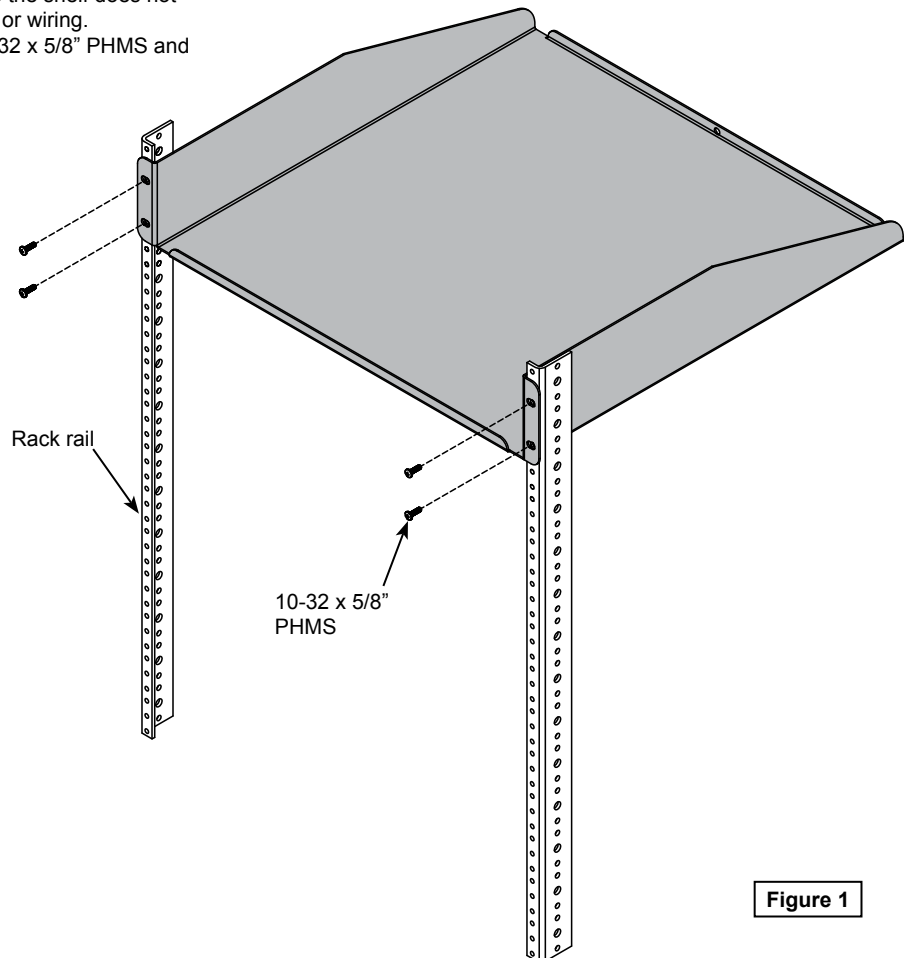
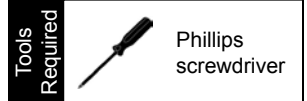
(4) 050184
10-32 x 5/8" PHMS



Rack-mount cantilever shelf (2RU)
97504

Attach shelf to rack rail

1. Determine the preferred mounting location for the shelf on the rack rail. (The shelf requires 2RU). Be sure the shelf does not interfere with other rack-mount components or wiring.
2. Attach the shelf to the rack rail using (4) 10-32 x 5/8" PHMS and tighten securely. **Figure 1.**



Note: Do not exceed 50 lbs max load on shelf.

Figure 1