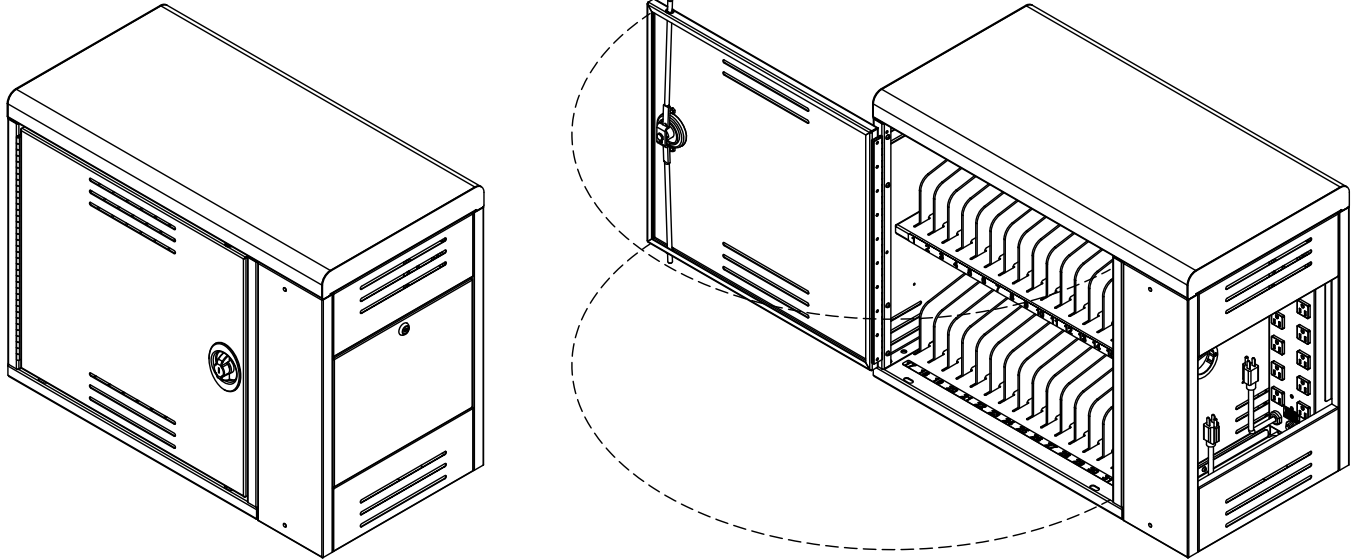


Technical Specifications

55434



Use the InTouch32 Secure Tablet Locker to store and charge up to 32 tablets. Padded shelves and flexible dividers protect the tablets. Overhead wire management aids the wiring integration and allows charging plugs to hang in front of each tablet. The InTouch32 Locker is made with heavy-gauge steel for security and powder-coated for a durable, long-lasting finish. A dual-bolt lock locking door and the ability to secure the unit to a worksurface increases tablet security.



Features and Benefits

- Stores, charges, and transports up to 32 tablet computers including iPads® with large cases (up to 1.25" thick)
- 1.25"W x 12.642"D x 9.5026"H storage bay
- Durable ABS plastic dividers protect devices from scratching (dividers are also removable to provide storage space for thicker devices)
- Double bolt, keyed lock and heavy gauge steel door provides vault-like security for your investment
- Unit can be mounted to a worksurface for additional security
- Devices and students are separated from AC line voltage
- Superior, all-metal overhead cord management system keeps charge cords organized above each bay
- Access panel provides easy-access to electrical power while keeping all line voltage, wiring, and cords away from students
- Two vertical, 16-outlet, (125V~/12A, 60Hz) universal power units work with both inline, and wall adapters
- Ventilated door and side panels keep devices and chargers cool, preventing overheating, and extending device life
- Ships fully-assembled for quick, simple integration and deployment
- Durable powder coated steel chassis provides a long-lasting finish
- ETL recognized (certified to UL 60950-1) in the US and Canada for the cart and electrical system
- Warranted to be free of all defects in materials and workmanship for 10 years, electrical system 2 years
- Designed and assembled in Chippewa Falls, WI, USA

Color Options

Metal: Cool White (CW)



Construction

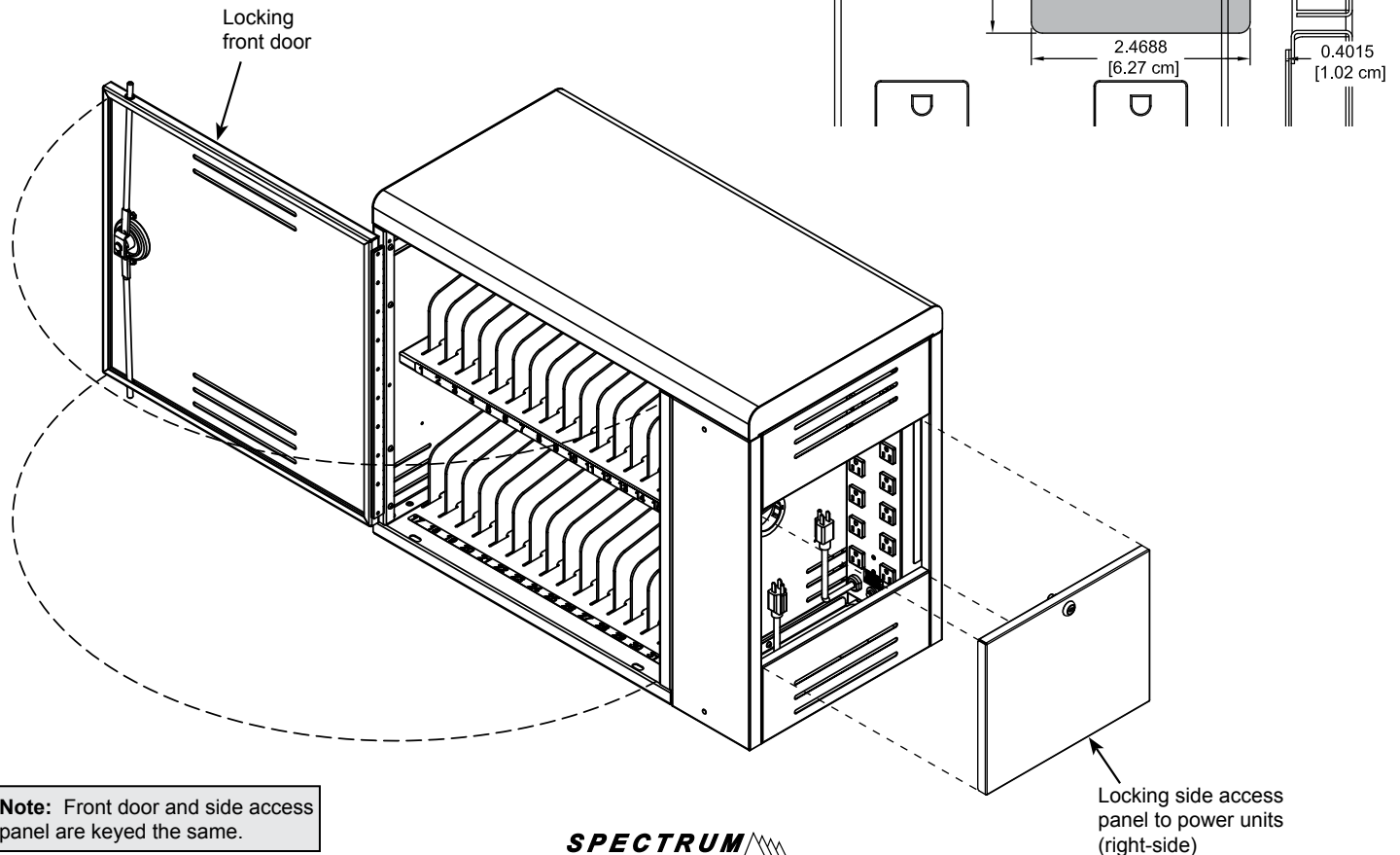
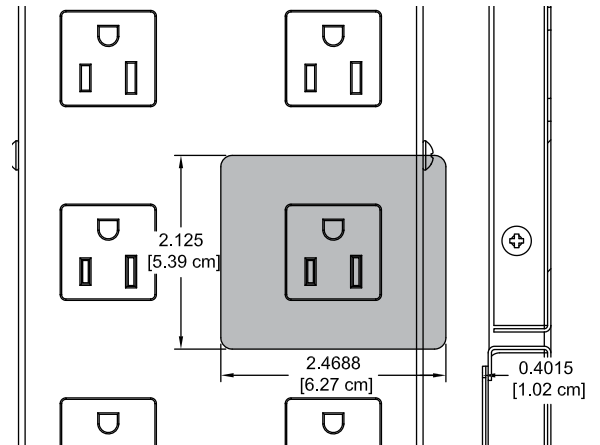
- Metal components consist of 16-gauge steel
- Vented side panels and doors are made of 16-gauge steel
- All metal components are finished with a scratch-resistant powder coat epoxy
- Each InTouch32 Secure Tablet Locker is factory-assembled

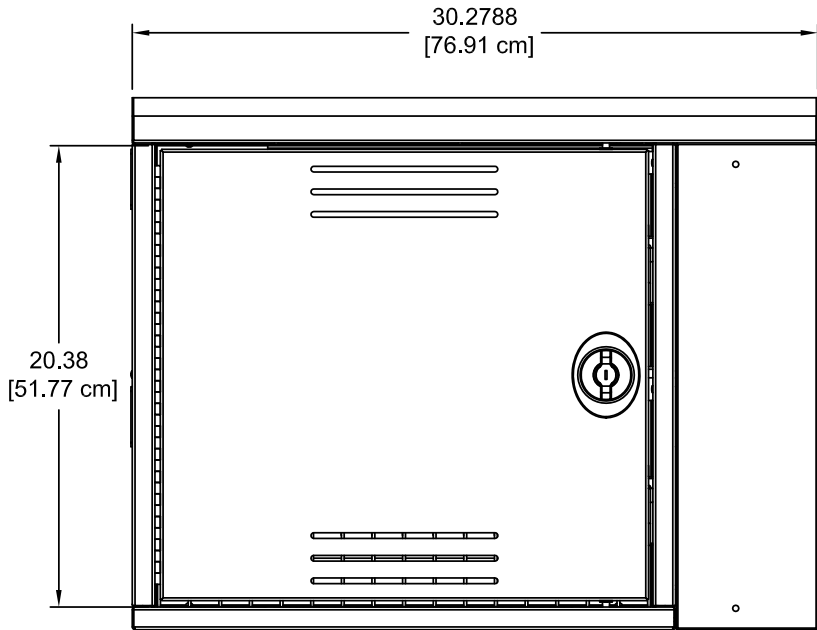
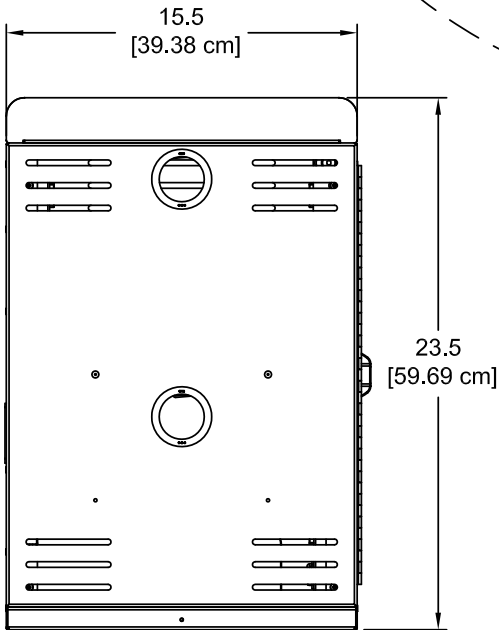
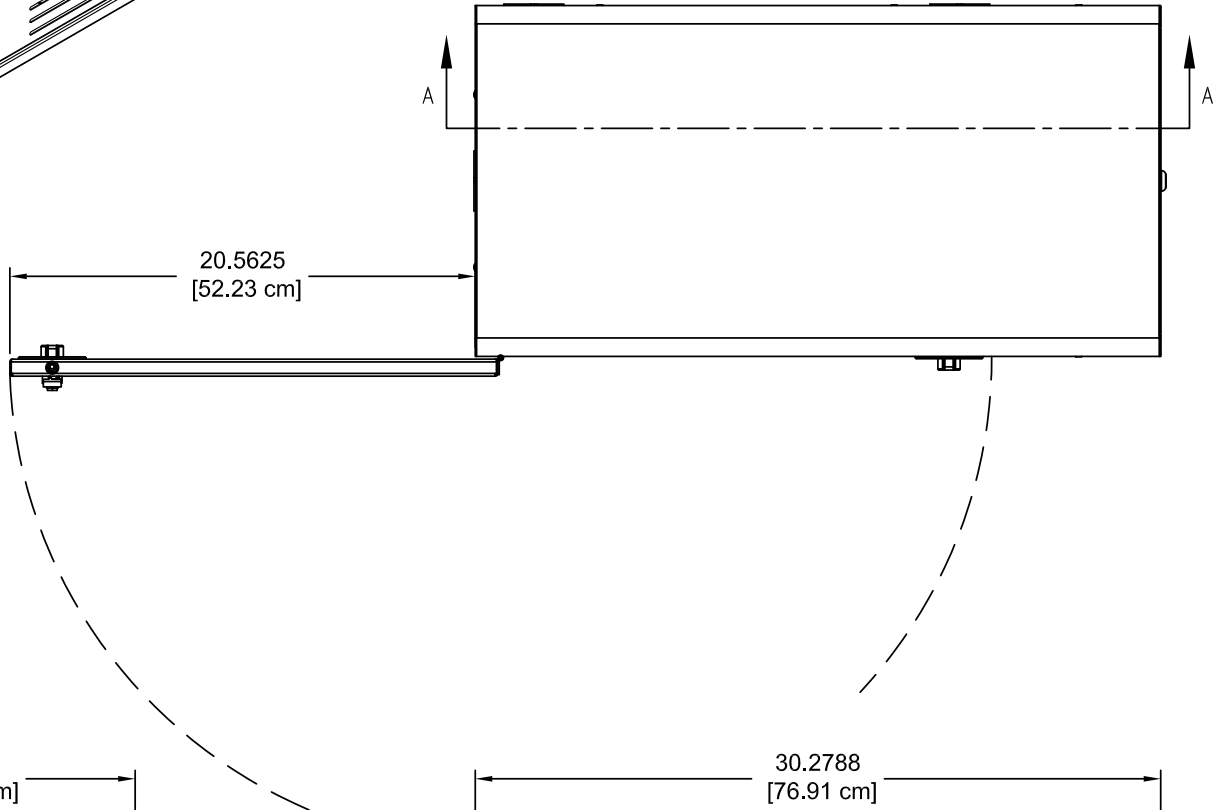
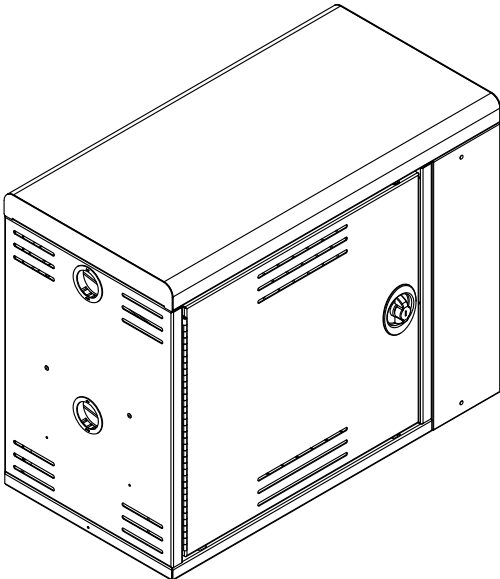
Specifications

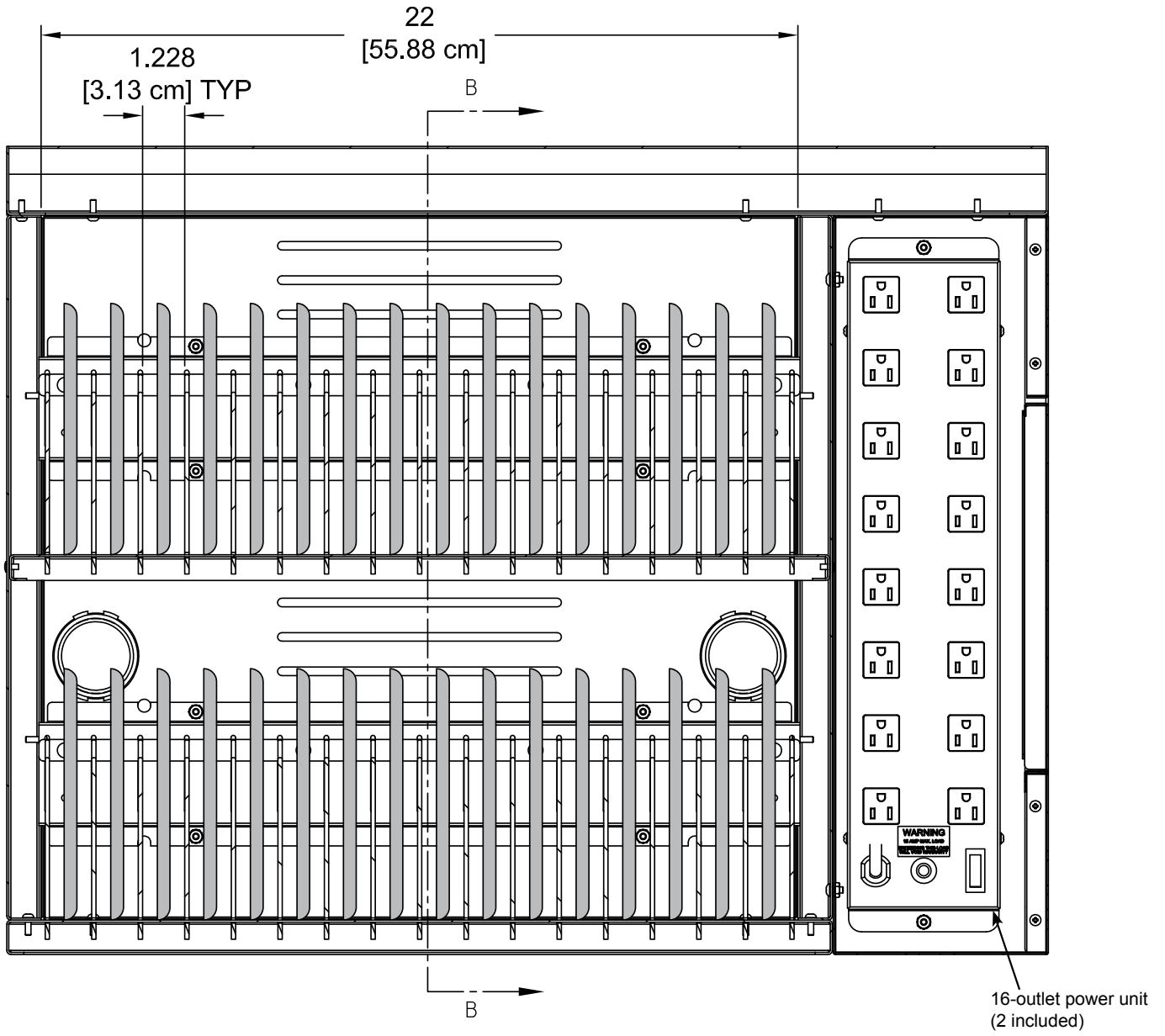
Capacity	32 tablets	
Storage bays (nominal)	1.25"W [3.17 cm] x 12.642"D [32.11 cm] x 9.5026"H [24.14 cm]	
Electrical	<ul style="list-style-type: none"> • (2) 16-outlet power units • 125V~/12A, 60Hz • 15-amp breaker • On/off switch 	<ul style="list-style-type: none"> • 15' nominal 14 AWG, 3-wire power cord • Locking power side door isolates and separates electrical line voltage from students • UL listed components
Certifications / Compliance	<ul style="list-style-type: none"> • ETL recognized 	<ul style="list-style-type: none"> • Meets or exceeds applicable ANSI-BIFMA test standards
Unit weight (nominal)	76 lbs [34.5 kg]	
Shipping weight (nominal)	85 lbs [38.6 kg]	

Specifications subject to change without notice

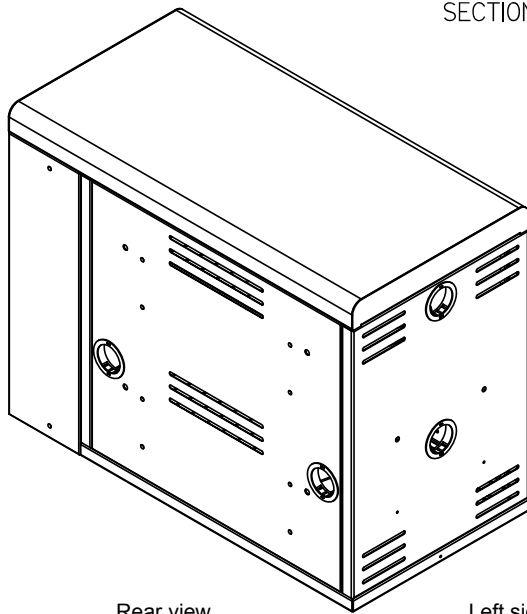
Outlet spacing on each 16-outlet power unit





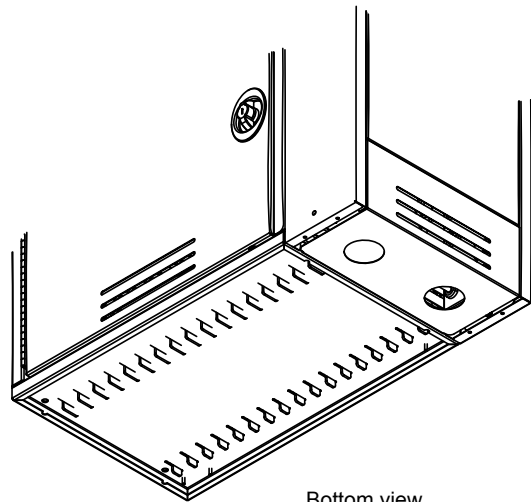


SECTION A-A

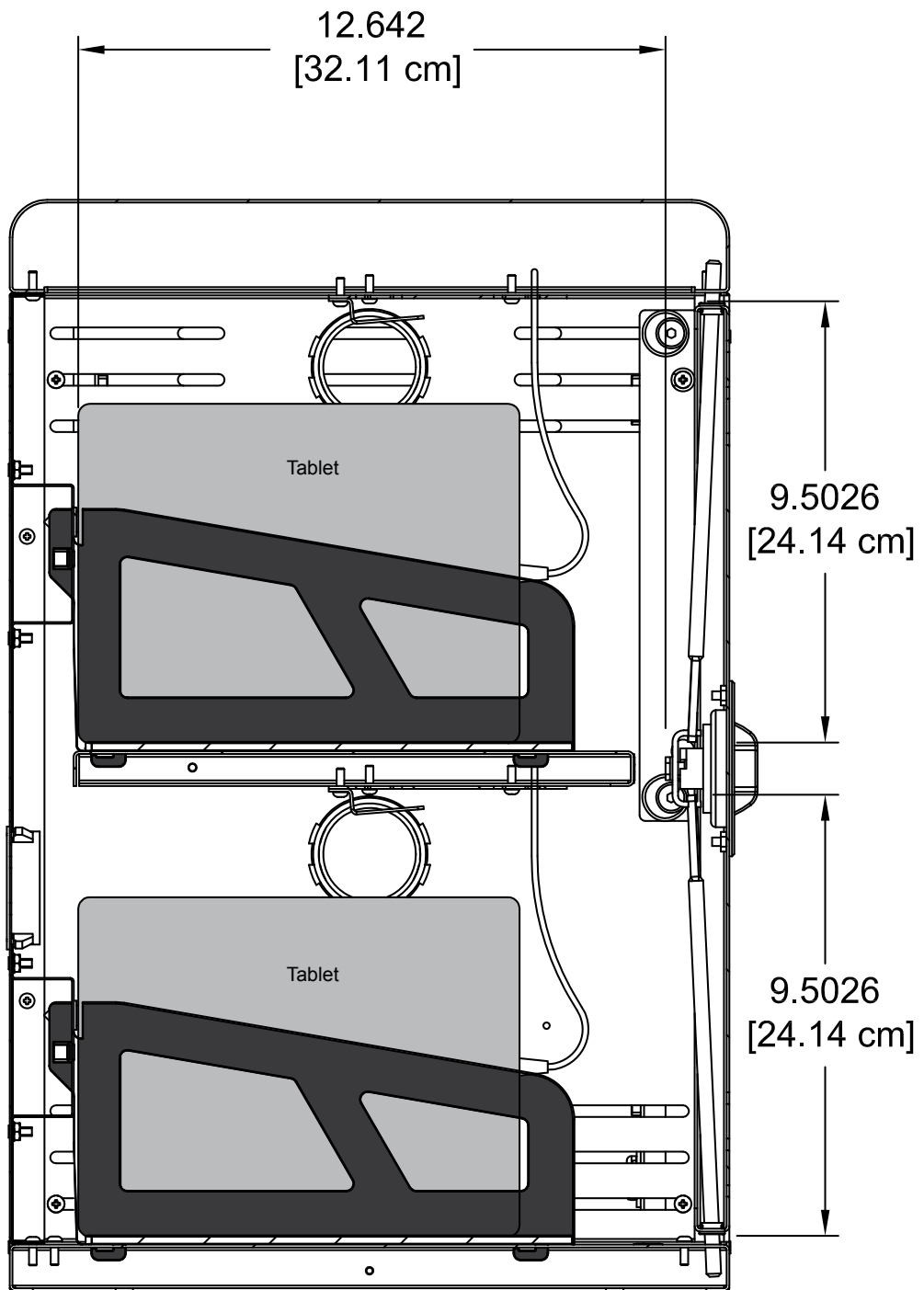


Rear view

Left side



Bottom view



SECTION B-B

Warranty

WE WILL MAKE IT RIGHT FOR YOU!

Spectrum is committed to provide complete customer satisfaction. Each of our products is manufactured from the best materials available and each product is stringently monitored throughout the production process through our P.A.C.E. program (Product Assurance to meet Customer Expectations).

We expressly warrant that Spectrum products will be of good quality and workmanship and free from defect for the period set out in the warranty table below from the date of delivery. This warranty shall not apply to defects or damage resulting from misuse, abuse, neglect, improper care, modification or repair not authorized by Spectrum, or any other cause outside the control of Spectrum. Spectrum will, at its sole option, either repair or replace the defective product.

This warranty is exclusive; no other warranty, written or oral, is expressed or implied. This warranty is given by Spectrum to Buyer and to no other person or legal entity. No Spectrum dealer, distributor, agent or employee is authorized to make any modification or addition to this warranty.

NOTWITHSTANDING ANYTHING TO THE CONTRARY, SPECTRUM WILL NOT UNDER ANY CIRCUMSTANCES BE LIABLE FOR INDIRECT OR LIQUIDATED DAMAGES, INCLUDING CONSEQUENTIAL, INCIDENTAL AND SPECIAL DAMAGES. IN NO EVENT SHALL SPECTRUM'S LIABILITY, WHETHER UNDER CONTRACT OR WARRANTY, IN TORT OR OTHERWISE, EXCEED THE PURCHASE PRICE RECEIVED BY SPECTRUM FOR THE PRODUCT AT ISSUE AND "RECALL ACTION" EXPENSES. SPECTRUM SHALL NOT BE SUBJECT TO ANY OTHER OBLIGATIONS OR LIABILITIES, WHETHER ARISING OUT OF BREACH OF CONTRACT, WARRANTY, TORT (INCLUDING NEGLIGENCE AND STRICT LIABILITY) OR OTHER THEORIES OF LAW, WITH RESPECT TO PRODUCTS SOLD OR SERVICES RENDERED BY SPECTRUM, OR ANY UNDERTAKINGS, ACTS OR OMISSIONS RELATING THERETO.

Our Customer Service Department is ready to provide immediate attention to any questions, comments or concerns. They are available to answer your calls Monday through Friday from 7 am to 5 pm CST. In addition your product comments or concerns are welcome via e-mail at: spectrum@spectrumfurniture.com.

Warranty Table

Item	Warranty Period effective 1/1/2015
Adjustable Crank / Electric Desk Legs	• 1 Year
Flat Panel Desk Gas Cylinders	
Chairs <ul style="list-style-type: none"> • Adjustable Height Chair Parts – including frames, gas cylinders, wood and plastic parts, control handles, casters • Adjustable Height Chair Upholstery • In-Stock Upholstery • Graded-In Fabrics and Customer Owned Material 	<ul style="list-style-type: none"> • 7 Years • 2 Years • 2 Years • No Warranty
Height Adjustable Columns and Lifts	• 1 Year
General Use Casters	
Electrical (including timers and LINAK actuators)	• 2 Years
Keyboard / Mouse Trays	• 1 Year
Flat Panel Monitor Arms <ul style="list-style-type: none"> • Flat Panel Monitor Arm – General Parts • Flat Panel Monitor Arm – Gas Cylinders 	<ul style="list-style-type: none"> • 5 Years • 2 Years
Desks and Lecterns <ul style="list-style-type: none"> • Computer Desk Chassis • Cart Chassis • Lectern Chassis 	• 10 Years

