

Assembly Instructions

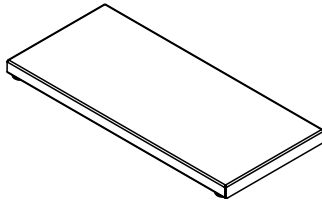
⚠ Important ⚠

Before you begin, read and comply with all safety and operating instructions, and ensure all parts and correct quantities are included.

Any parts damaged during shipment must be reported within 5 days of receipt. To report information regarding missing parts or damage, to purchase parts or accessories, or if you have any questions, please contact us.

www.spectrumfurniture.com
800-235-1262, 715-723-6750

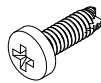
Thank you for purchasing Spectrum products!



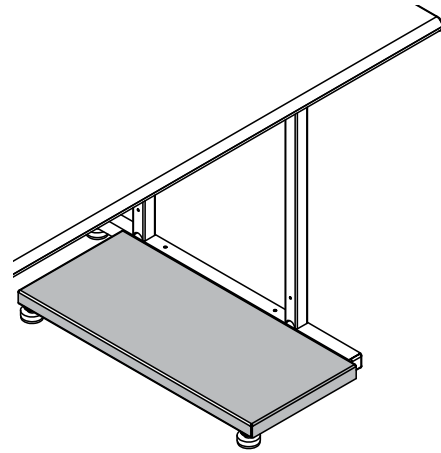
(1) 0151284
CPU Tray



(2) 037779
5/16-18 x 1"
Glide



(2) 0100167
8-32 x 1/2" PH
Thrd ctg



CPU Tray - 37343 for Esports Desks

1. Attach glides to CPU tray

1. Attach the (2) glides to the bottom of the CPU tray. **Figure 1.**

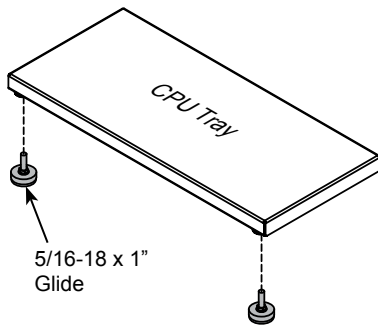


Figure 1

2. Attach CPU tray to desk leg

1. Carefully tip the desk to access the bottom of the leg. This will require two people. **Figure 2.1.**
2. Attach the CPU tray to the left or right leg with (2) 8-32 x 1/2" PH thread-cutting screws.
3. Carefully tip the desk back upright.
4. Adjust the tray glides if necessary to level the tray on the floor.
5. Place CPU tower on tray. **Figure 2.2.**

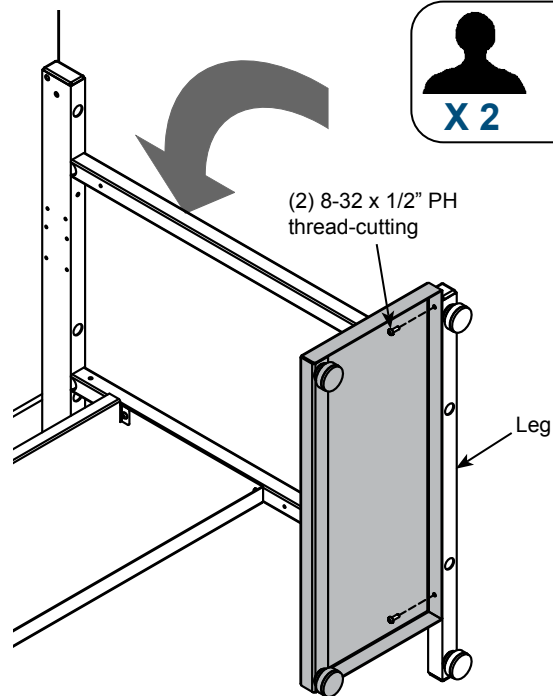


Figure 2.1

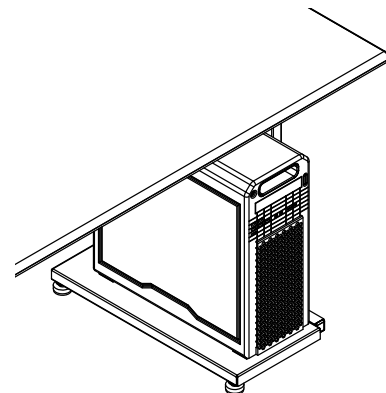


Figure 2.2