

Assembly Instructions

⚠ Important ⚠

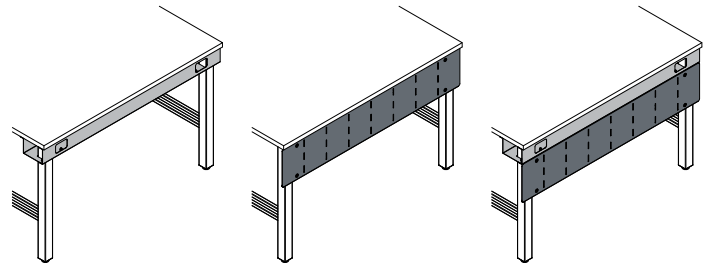
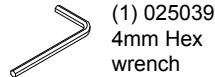
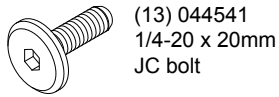
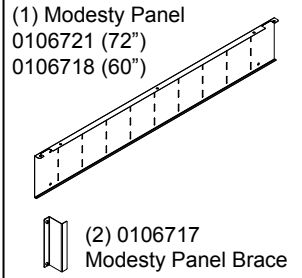
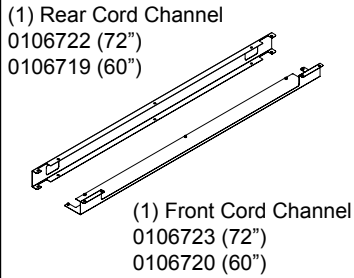
Before you begin, read and comply with all safety and operating instructions, and ensure all parts and correct quantities are included.

Any parts damaged during shipment must be reported within 5 days of receipt. To report information regarding missing parts or damage, to purchase parts or accessories, or if you have any questions, please contact us.

www.spectrumfurniture.com
800-235-1262, 715-723-6750

Thank you for purchasing Spectrum products!

(One or both of the following may be included)



Cord Channel

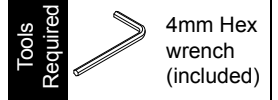
Modesty Panel

Cord Channel &
Modesty Panel

Cord Channel / Modesty Panel for Flex Training Tables

Cord Channel
37257 - for 60" table
37258 - for 72" table

Modesty Panel
37254 - for 60" table
37255 - for 72" table



Installation - Cord Channel only

1. Flip the table upside-down onto a non-abrasive surface.
2. Remove the four rear-most PHM screws from each leg mounting plate.
3. Attach the front half of the cord channel to the worksurface (through the leg mounting plates) as shown using 1/4-20 JC bolts and tighten securely. **Figure 1**.
4. Attach the rear half of the cord channel to the worksurface (through the leg mounting plates) as shown using 1/4-20 JC bolts and tighten securely.
Note: The hole in the middle of the mounting flange does not require a JC bolt into the worksurface.
5. Align the cord channel mounting holes from both halves, and attach together with JC bolts.
Note: The rear half will overlap the front, and the JC bolts will thread into the front half.

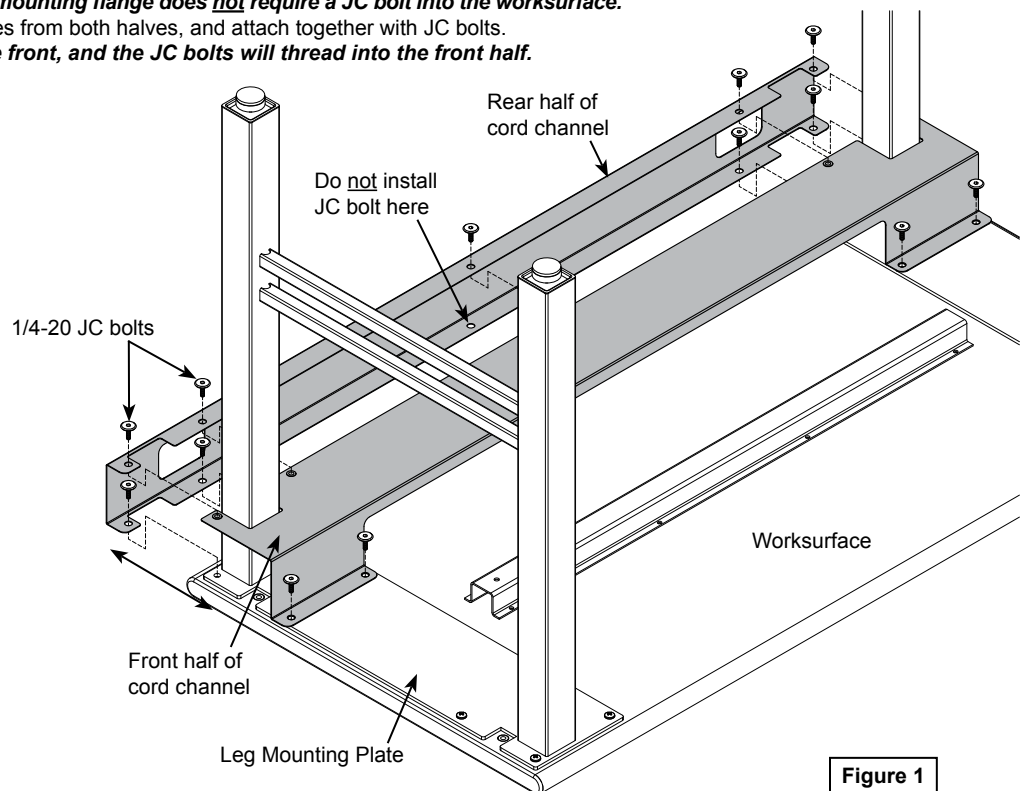


Figure 1

Installation - Modesty Panel only

1. Flip the table upside-down onto a non-abrasive surface.
2. Remove the two rear-most PHM screws from each leg mounting plate.
3. Align the modesty panel mounting holes with the worksurface inserts and attach (through the leg mounting plates) with 1/4-20 JC bolts as shown. **Figure 2.**

Note: The hole in the middle of the mounting flange does not require a JC bolt into the worksurface.

4. Orient the two modesty panel braces as shown, and secure with JC bolts.
5. Tighten all fasteners securely.

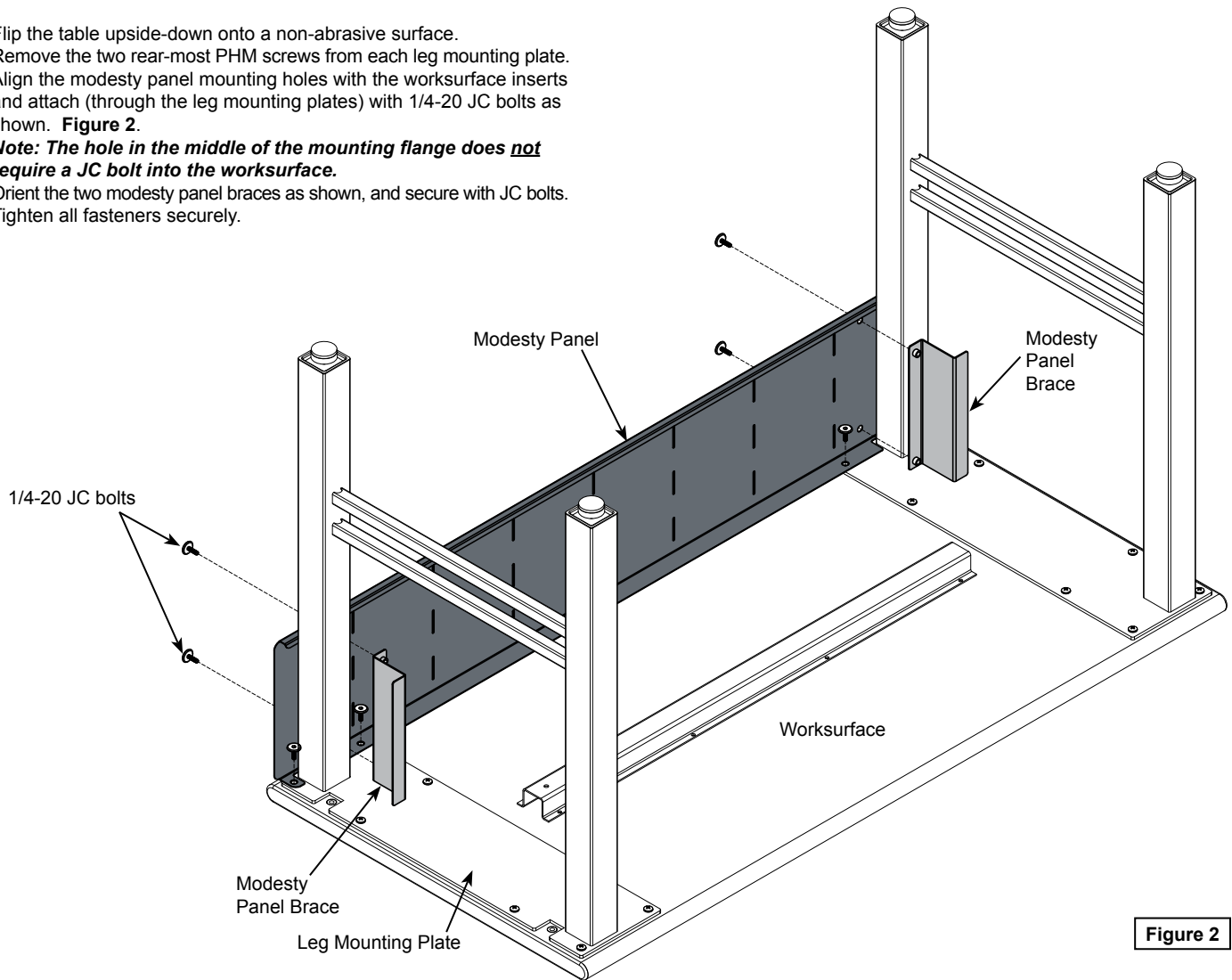


Figure 2

Installation - Cord Channel and Modesty Panel

1. Flip the table upside-down onto a non-abrasive surface.
2. Remove the four rear-most PHM screws from each leg mounting plate.
3. Attach the front half of the cord channel to the worksurface (through the leg mounting plates) as shown using 1/4-20 JC bolts and tighten securely. **Figure 3.**
4. Attach the rear half of the cord channel to the worksurface (through the leg mounting plates) as shown using 1/4-20 JC bolts and tighten securely.
5. Align the modesty panel mounting holes with the cord channel mounting holes from both halves, and attach with JC bolts.
- Note: The rear half of the cord channel will overlap the front half, with the modesty panel attaching to both.**
6. Orient the two modesty panel braces as shown, and secure with JC bolts.
7. Tighten all fasteners securely.

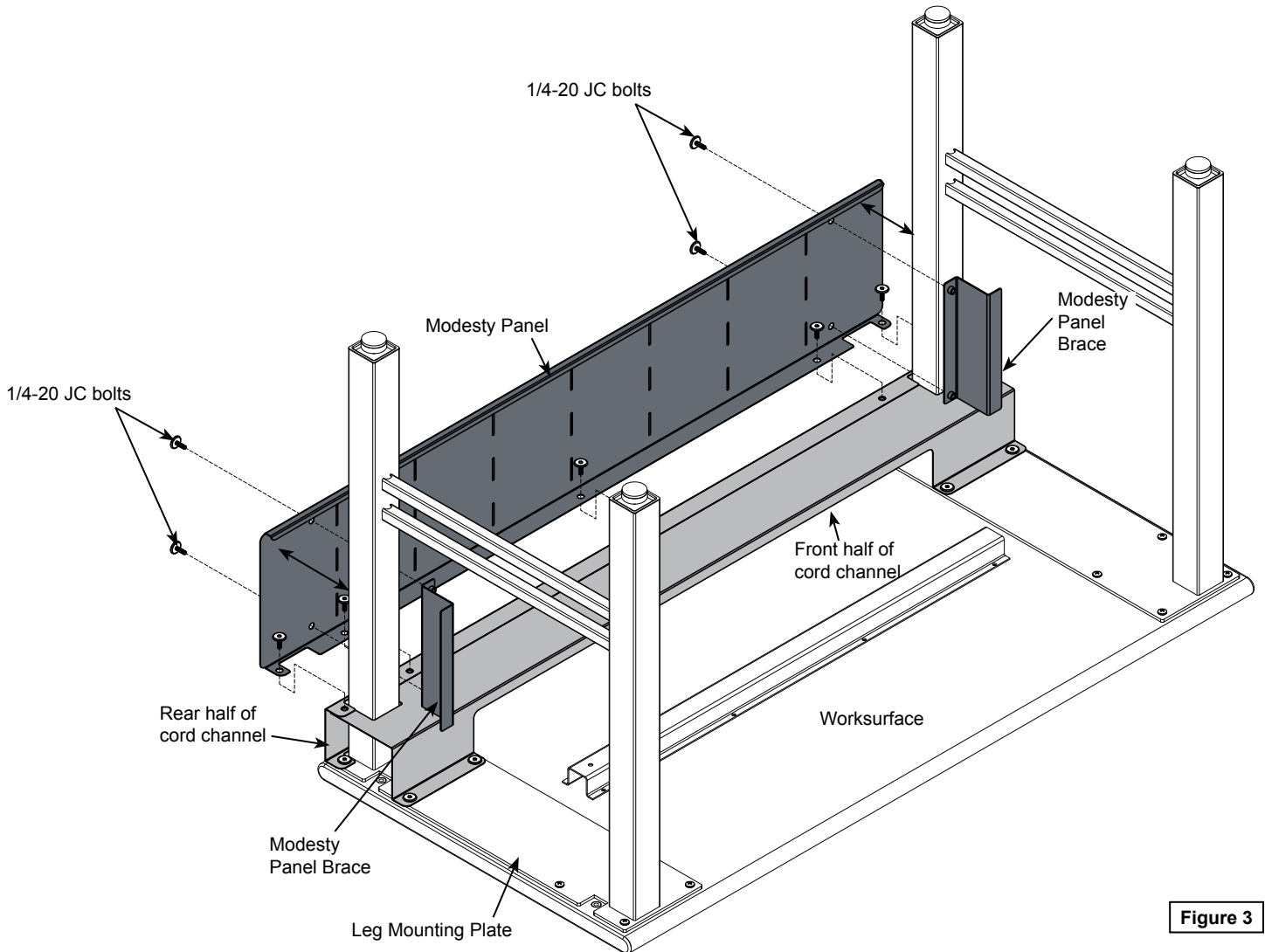


Figure 3