

Assembly Instructions

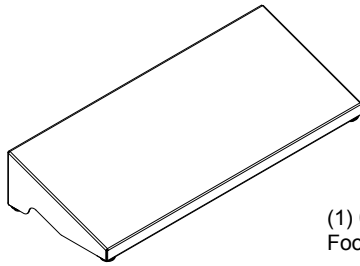
⚠ Important ⚠

Before you begin, read and comply with all safety and operating instructions, and ensure all parts and correct quantities are included.

Any parts damaged during shipment must be reported within 5 days of receipt. To report information regarding missing parts or damage, to purchase parts or accessories, or if you have any questions, please contact us.

www.spectrumfurniture.com
800-235-1262, 715-723-6750

Thank you for purchasing Spectrum products!



(1) 0151583
Footrest



(4) 37779
5/16"-18 x 1" Glide

1. Attach Glides

1. Attach the (4) glides to the footrest. **Figure 1.**

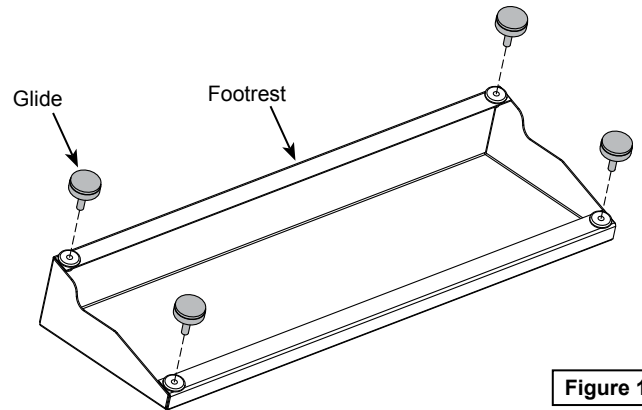


Figure 1

2. Position footrest under desk

1. Locate the footrest under the desk in a position that supports the feet comfortably. **Figure 2.**

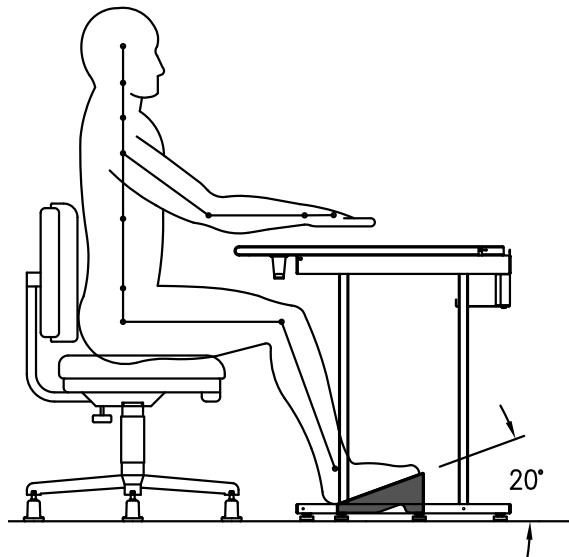
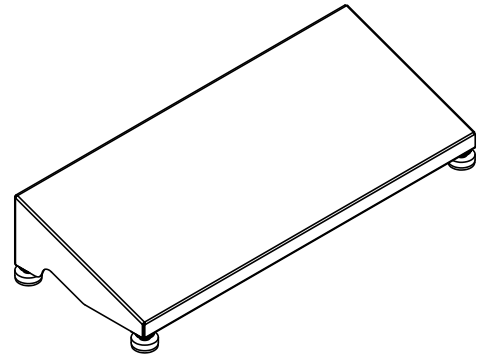


Figure 2



Footrest - 37348

Note: Do not tighten fasteners completely until all have been installed. Keeping them loose will help with alignment during assembly.