

# Assembly Instructions

## ⚠ Important ⚠

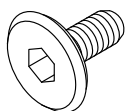
Before you begin, read and comply with all safety and operating instructions, and ensure all parts and correct quantities are included.

Any parts damaged during shipment must be reported within 5 days of receipt. To report information regarding missing parts or damage, to purchase parts or accessories, or if you have any questions, please contact us.

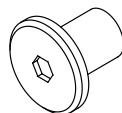
[www.spectrumfurniture.com](http://www.spectrumfurniture.com)

800-235-1262, 715-723-6750

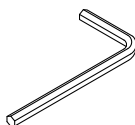
Thank you for purchasing Spectrum products!



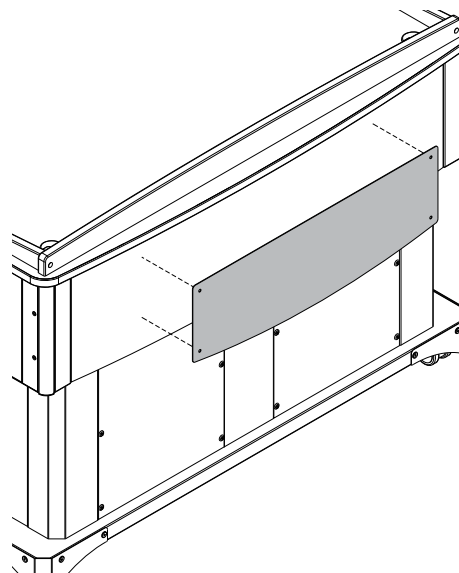
(4) 052605  
1/4-20 x 15mm  
JC bolt



(4) 021555  
1/4-20 JC  
cap nut



(1) 025039  
4mm hex  
wrench



## Logo Panel for Freedom XRS 55303

### 1. Drill out back panel mounting holes

1. Raise the lectern to the fully-extended position.
2. With an electric drill and 3/8" drill bit, carefully drill the (4) existing back panel starter holes completely through the back panel (access under the worksurface). **Figure 1.**

Tools  
Required



Electric  
drill



3/8"  
Drill Bit



4mm Hex  
wrench  
(included)

## ⚠ Caution ⚠

Using a sharp bit, drill out the (4) existing starter holes slowly to minimize laminate chip-out around the holes. Placing masking tape on the laminate-side of the panel at the hole locations before drilling will also help minimize chip-out.

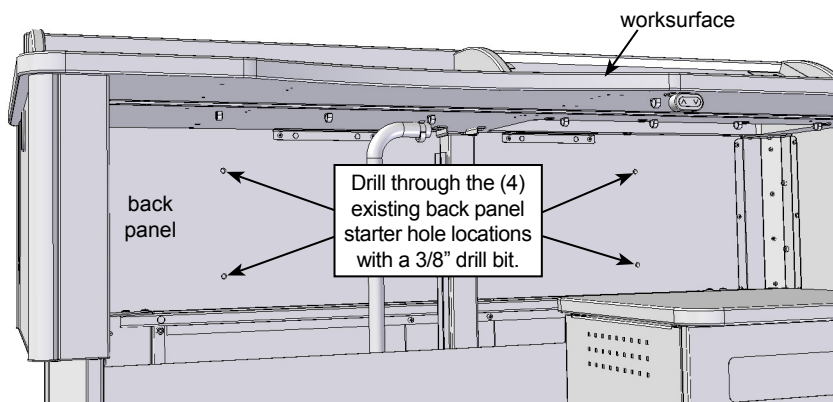


Figure 1

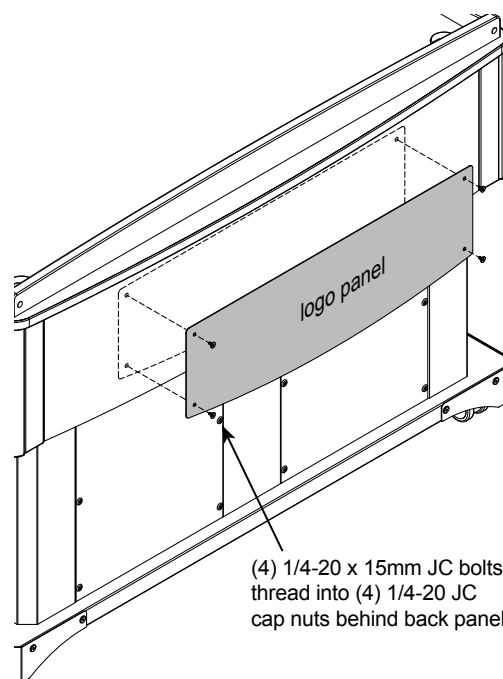


Figure 2

### 2. Install logo panel

1. Install the logo panel to the audience-side of the lectern with (4) 1/4-20 x 15mm JC Bolts and (4) 1/4-20 JC cap nuts on the back of the back panel and tighten securely. **Figure 2.**