

Assembly Instructions

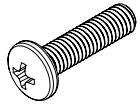
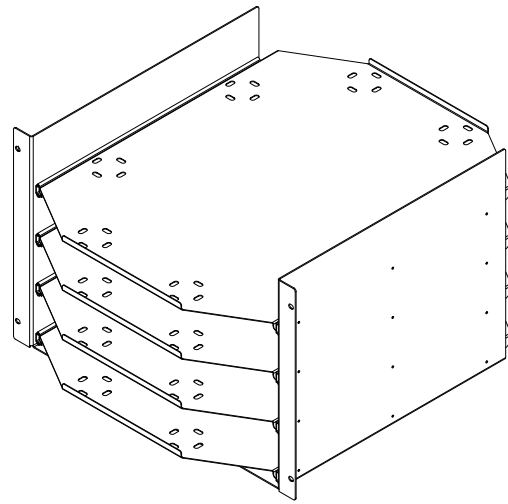
⚠ Important ⚠

Before you begin, read and comply with all safety and operating instructions, and ensure all parts and correct quantities are included.

Any parts damaged during shipment must be reported within 5 days of receipt. To report information regarding missing parts or damage, to purchase parts or accessories, or if you have any questions, please contact us.

www.spectrumfurniture.com
800-235-1262, 715-723-6750

Thank you for purchasing Spectrum products!



(4) 050184
10-32 x 5/8" PHMS



(12) 052608
3/4" x 5" Hook and
loop straps



(4) 052597-8
2" Hook and loop strips
(adhesive-backed)

LT-4 Rack-mount Laptop Storage Unit (7RU) 97517

1. Attach to rack rail

1. Determine the preferred mounting location for the unit on the rack rail. (requires 7RU). Be sure the storage unit will not interfere with other rack-mount components or wiring.
2. Attach to the rack rail using (4) 10-32 x 5/8" PHMS and tighten securely. **Figure 1.** (Be sure the unit is fully-supported while installing).

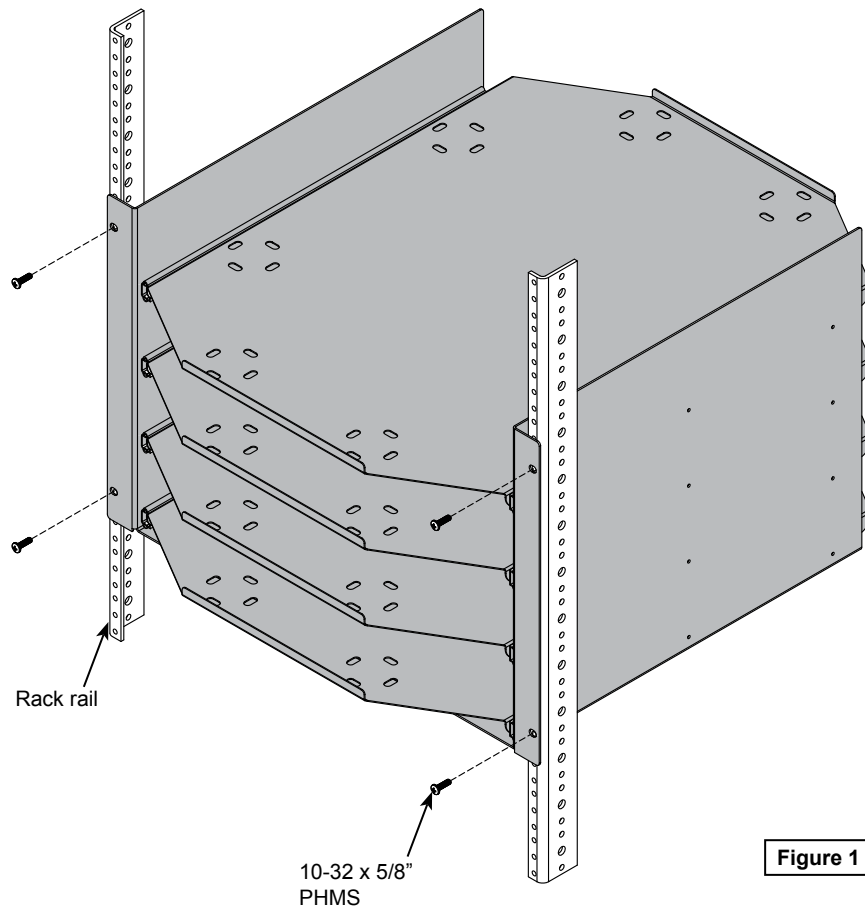



Figure 1

2. Cord management

1. Using the cord management slots in the trays, and hook and loop straps provided, bundle the charge cords.
Figure 2 shows a typical wiring example. Be sure to leave enough slack in the power cord to allow the tray to be pulled out.
2. Route the charge plug to the student-side of the tray to allow easy-access and removal. Anchor with a hook and loop strap.
3. Adhesive-backed hook and loop strips are also provided to attach the charger to the tray if necessary.

 Note: Do not exceed 7 lbs per laptop tray.

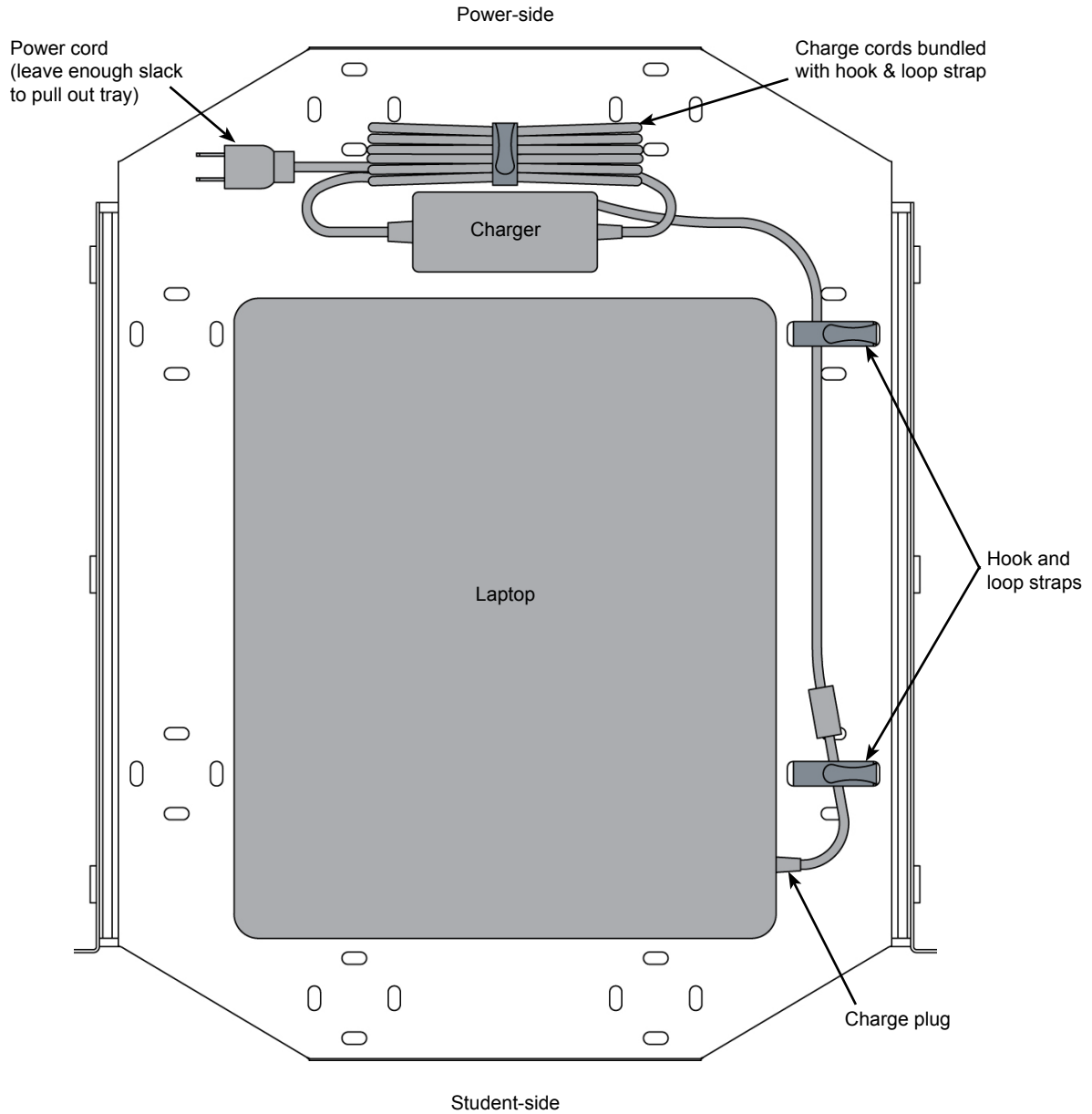


Figure 2