

Assembly Instructions

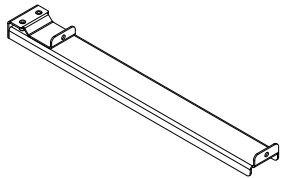
⚠ Important ⚠

Before you begin, read and comply with all safety and operating instructions, and ensure all parts and correct quantities are included.

Any parts damaged during shipment must be reported within 5 days of receipt. To report information regarding missing parts or damage, to purchase parts or accessories, or if you have any questions, please contact us.

www.spectrumfurniture.com
800-235-1262, 715-723-6750

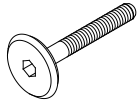
Thank you for purchasing Spectrum products!



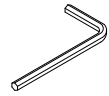
(2) 0118062
Unit-to-Unit Connectors



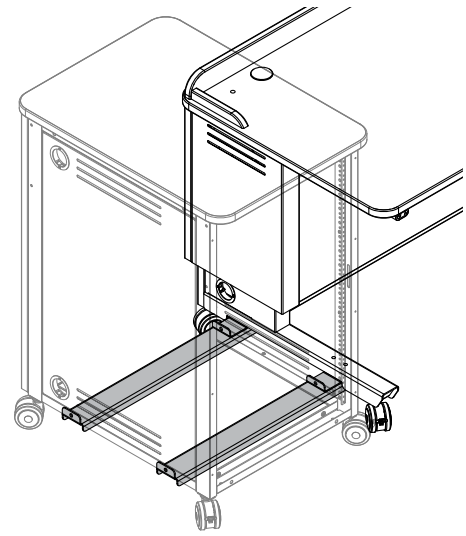
(4) 052605
1/4-20 x 15mm
JC bolts



(4) 053310
1/4-20 x 40mm
JC bolts



(1) 025039
4mm Hex wrench



Unit-to-Unit Bracket Kit for Freedom One eLift Lectern™ 55359

Tools
Required



4mm hex
wrench

Assembly

- Determine which side of the lectern the equipment rack is to be installed (left or right side). (Right-side installation shown.)
- Attach the unit-to-unit brackets to the equipment rack side panel mounting holes with (4) 1/4-20 x 15mm JC bolts. **Figure 1.**

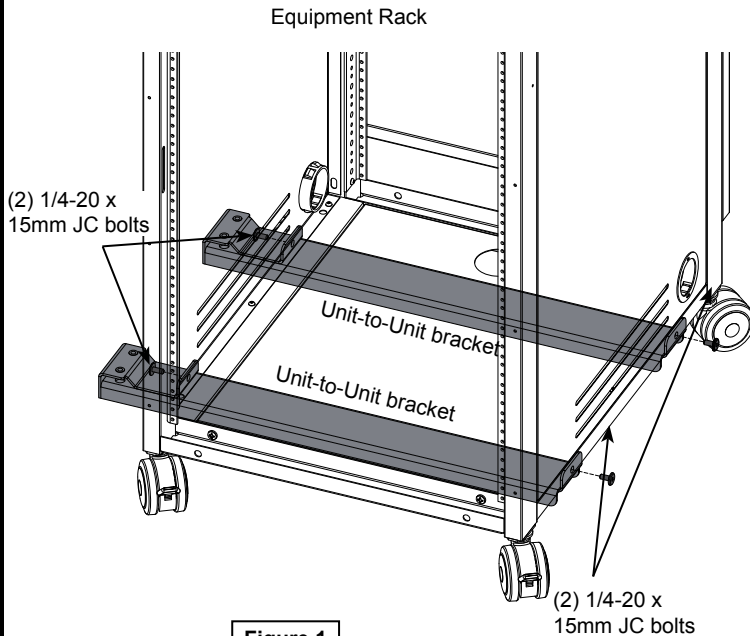


Figure 1

- Bring the equipment rack to the lectern and align the unit-to-unit brackets with the mounting holes in the lectern leg.
- Install (4) 1/4-20 x 40mm JC bolts through the top of the lectern leg and tighten securely. **Figure 2.**

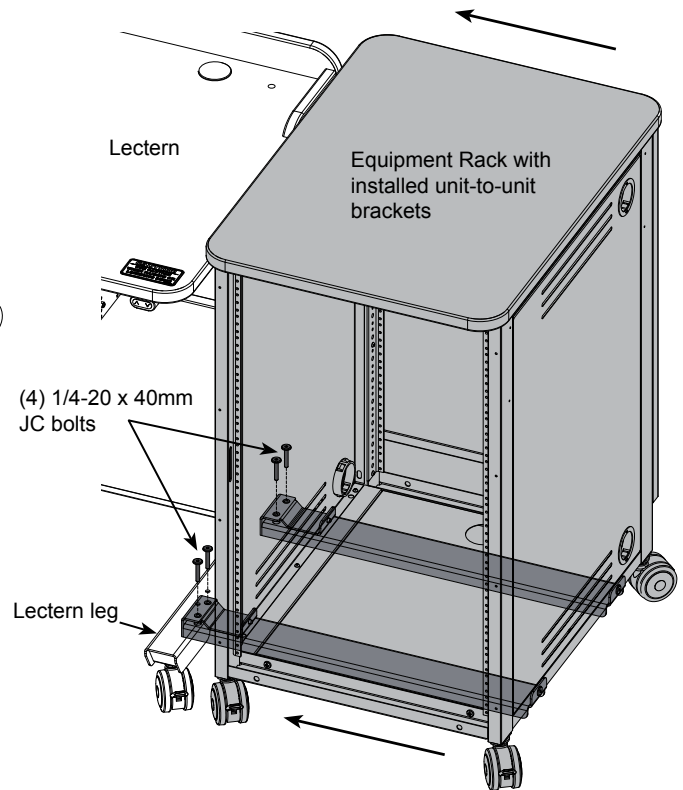


Figure 2