

Assembly Instructions

⚠ Important ⚠

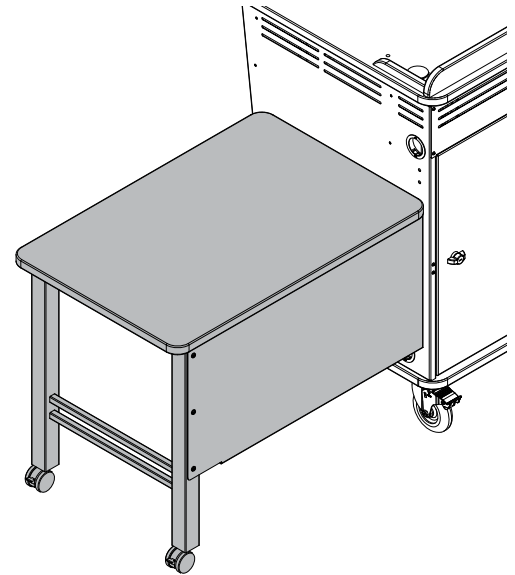
Before you begin, read and comply with all safety and operating instructions, and ensure all parts and correct quantities are included.

Any parts damaged during shipment must be reported within 5 days of receipt. To report information regarding missing parts or damage, to purchase parts or accessories, or if you have any questions, please contact us.

www.spectrumfurniture.com

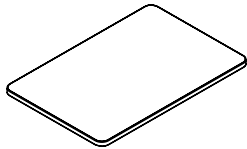
800-235-1262, 715-723-6750

Thank you for purchasing Spectrum products!

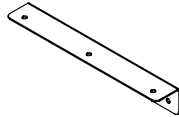


Inspiration Plus Side Table

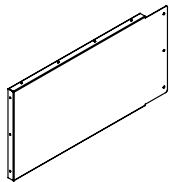
55413



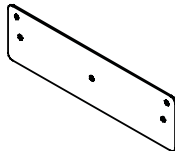
- (1) 0119257 Worksurface or
- (1) 0119688 Worksurface (with cutout)



- (1) 0111449 Unit-to-Unit Bracket



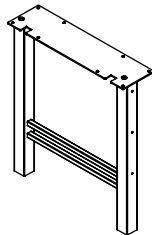
- (1) 0111446 Modesty Panel



- (1) 0111450 Backer Plate

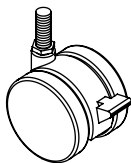
Tools Required

- Phillips Screwdriver
- Caster / Glide wrench (included)



- (1) 0111447 Leg

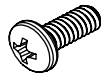
Parts bag with casters
(for lecterns with casters)



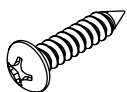
- (2) 0105662 5/16-18 Stem Caster



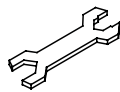
- (3) 052901 8-32 x 3/8 PHMS



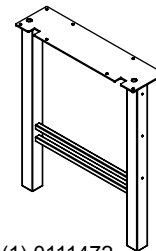
- (17) 026064 1/4-20 x 5/8 PHMS



- (4) 026073 #8 x 3/4 PHSM screw

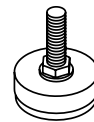


- (1) 025069 Caster / Glide wrench



- (1) 0111472 Leg

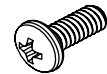
Parts bag with glides
(for lecterns with toe kick)



- (2) 037779 5/16-18 x 1 Glide



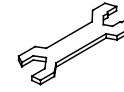
- (3) 052901 8-32 x 3/8 PHMS



- (17) 026064 1/4-20 x 5/8 PHMS



- (4) 026073 #8 x 3/4 PHSM screw



- (1) 025069 Caster / Glide wrench

1. Attach unit-to-unit bracket to lectern

1. The table is symmetrical and can be mounted on the left or right side of the lectern. Determine which side the table will be mounted.
2. Attach the unit-to-unit bracket and the backer plate to the left or right side panel with (3) 1/4-20 x 5/8" PHM screws. **Figure 1.** The backer plate will be inside the lectern. Do not tighten the screws completely-they will be tightened after the table is connected.

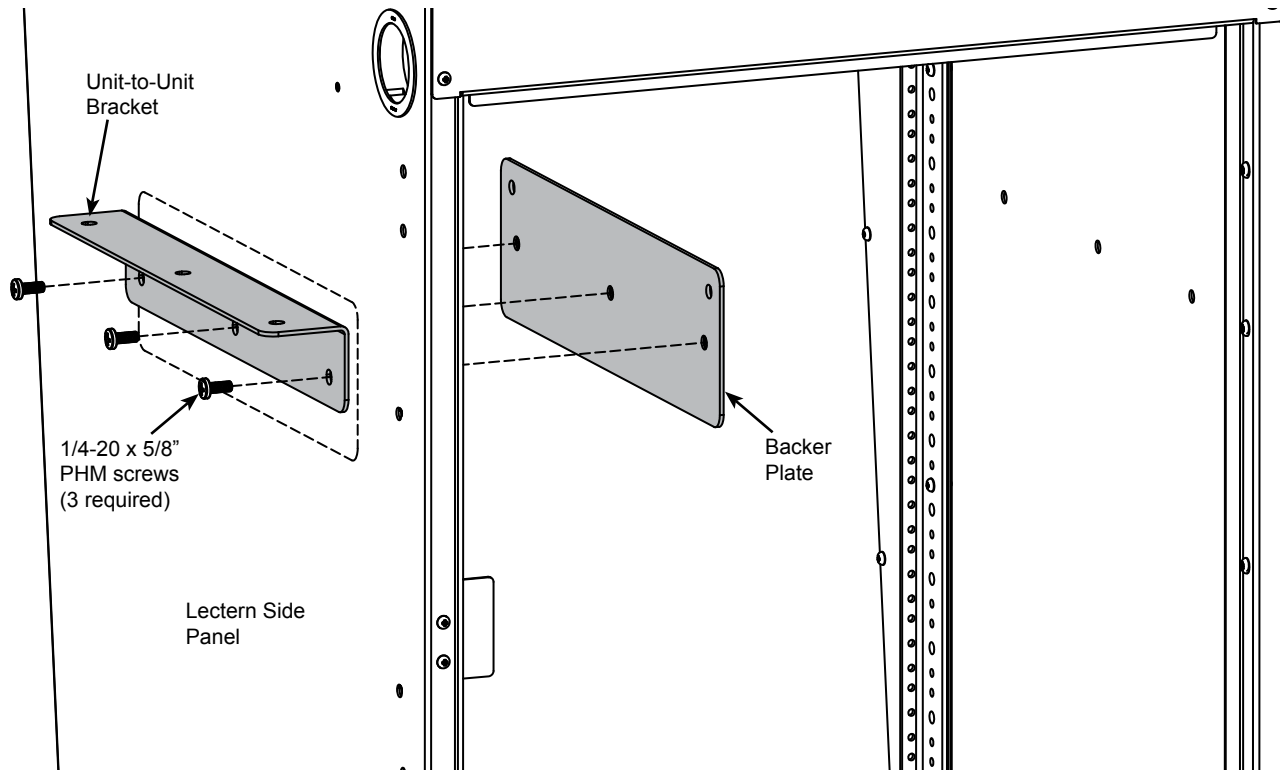
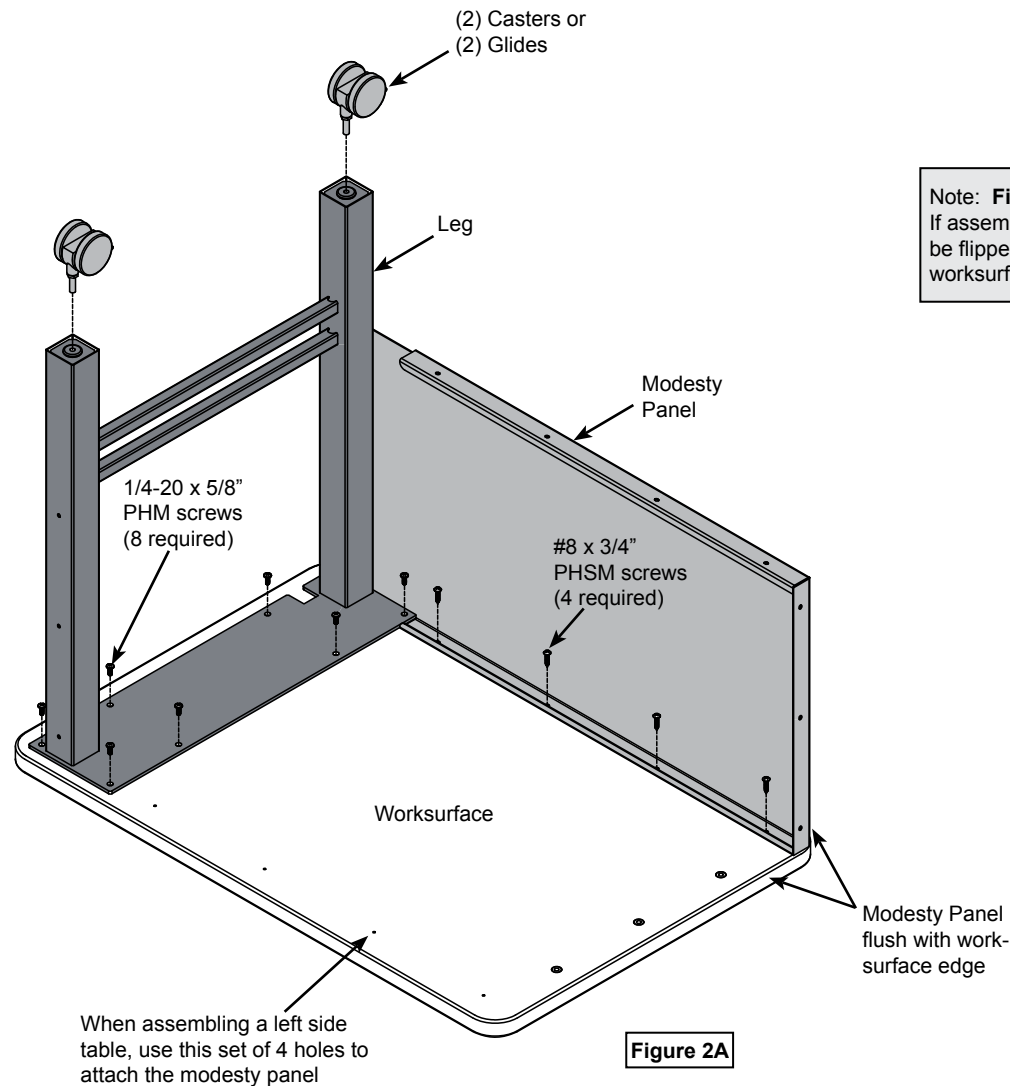


Figure 1

2. Assemble Table

1. Place the worksurface face down onto a non-abrasive surface.
2. Attach the leg as shown with (8) 1/4-20 x 5/8" PHM screws. **Figure 2A.** Tighten securely.
3. Attach the (2) casters or (2) glides to the bottom of the leg and tighten securely.
4. Attach the modesty panel to the worksurface with (4) #8 x 3/4" PHSM screws. **Figure 2A** shows a right-hand table installation.



Note: **Figure 2A** shows a right-side table assembly. If assembling a left-side table, the modesty panel can be flipped and attached to the opposite side of the worksurface using the other set of predrilled holes.

Note: The fastener slots in the modesty panel allow slight adjustment with the worksurface. The modesty panel should be attached flush with the edge of the worksurface.

Figure 2A

5. Attach the modesty panel to the leg with (3) 1/4-20 x 5/8" PHM screws. **Figure 2B.**

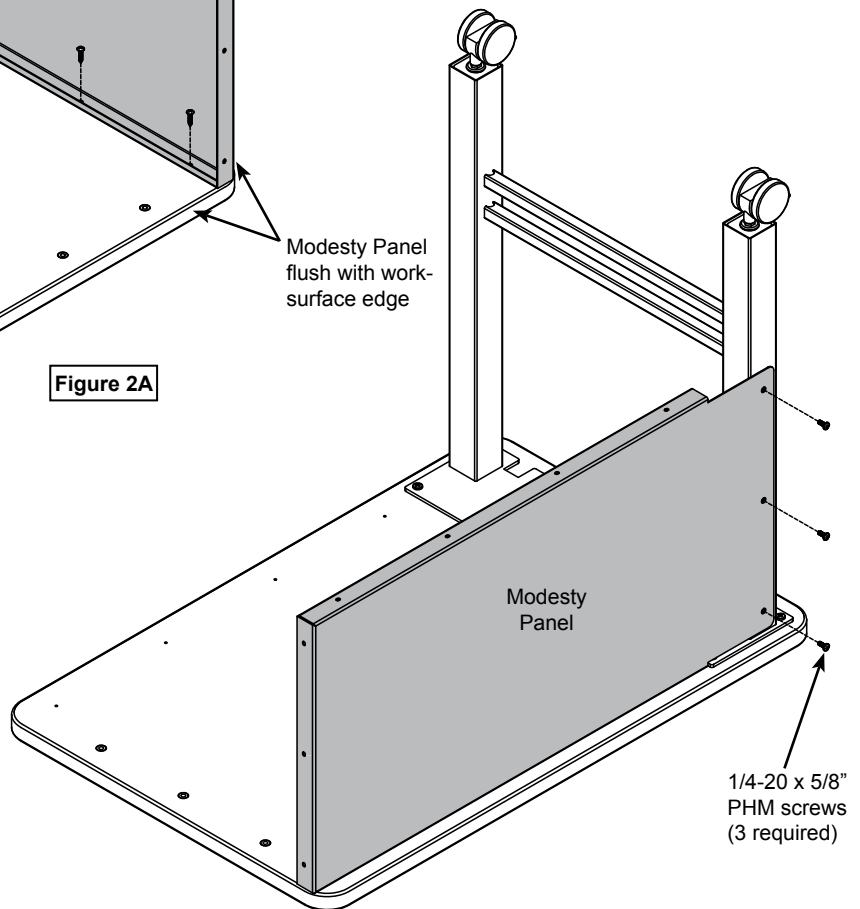


Figure 2B

3. Attach table to lectern

1. If your Inspiration lectern is the mobile version, lock all four casters.
2. Set the edge of the assembled table onto the previously installed unit-to-unit bracket. **Figure 3A.**
3. Align the bracket and worksurface mounting holes and attach with (3) 1/4-20 x 5/8" PHM screws (finger-tight only).
4. Align the modesty panel and lectern side panel mounting holes and attach with (3) 8-32 x 3/8" PHM screws.
5. Make sure the table is level side-to-side, and front-to-back, then tighten all screws securely-including the unit-to-unit bracket screws.

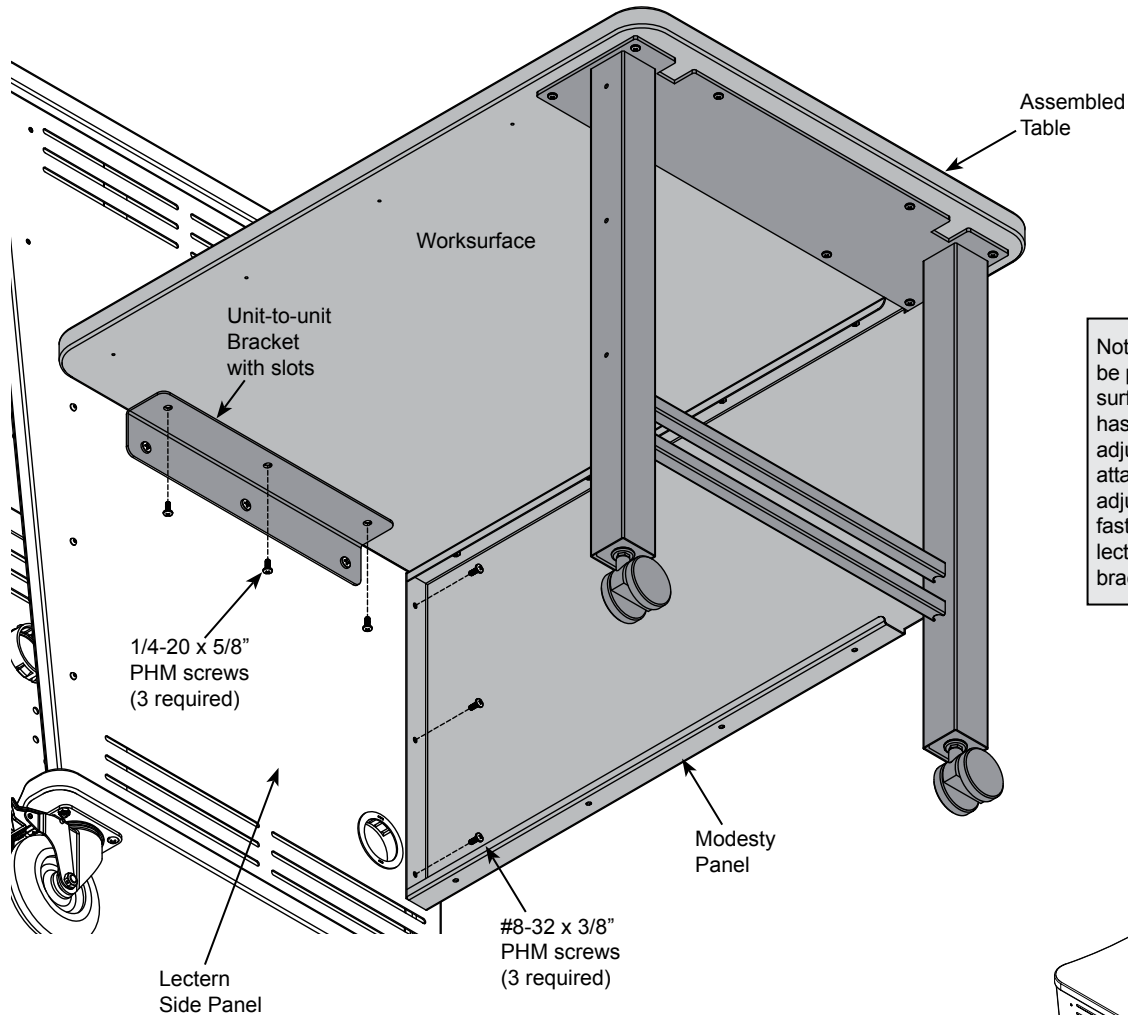


Figure 3A

Note: The table worksurface should be parallel with the lectern work-surface. The Unit-to-unit bracket has slots that allow slight vertical adjustment with the fasteners that attach it to the side of the lectern. If adjustment is necessary, loosen the fasteners attaching the table to the lectern, reposition the unit-to-unit bracket and table, then retighten.

Note: The side table with casters is only designed for short distance mobility and repositioning within a room. Frequently moving the unit long distances or over uneven thresholds is not recommended. Do not lift up or pull the table-move the table and lectern together.

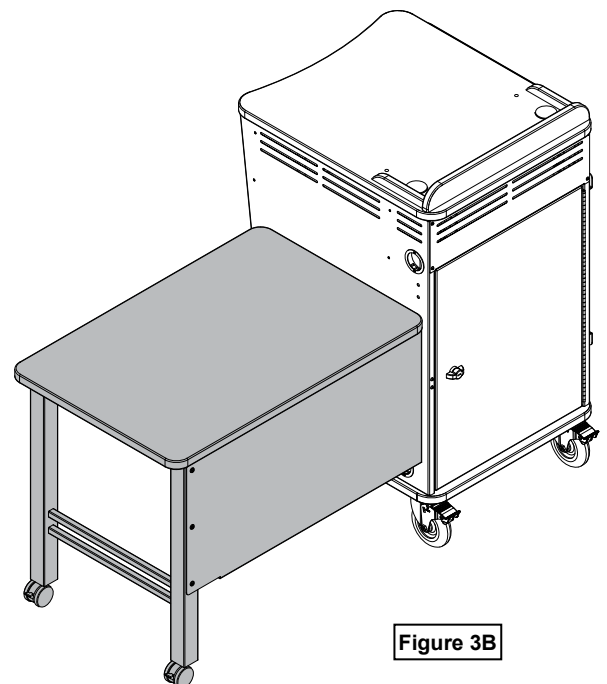


Figure 3B